

GB - SP - FR - RU - TR



- Instructions for burners model
- Instrucciones para quemadores modelos
- Mode d'emploi brûleur modele
- Инструкции по применению горелки
- brülörler için kullanım kılavuzu

TBG 45
TBG 60

TBG 45P
TBG 60P

baltur
TECNOLOGIE PER IL CLIMA

0006081362_200806

- Before using the burner for the first time please carefully read the chapter “WARNINGS NOTES FOR THE USER : HOW TO USE THE BURNER SAFELY” in this instruction manual, which is an integral and essential part of the product. The works on the burner and on the esystem have to be carried out only by competent people.
- Read carefully the instructions before starting the burner and service it.
- The system electric feeding must be disconnected before starting working on it.
- If the works are not carried out correctly it is possible to cause dangerous accidents.

Statement of Conformity

We hereby declare under our own responsibility, that our “CE” marked products Series:
Sparkgas...; BTG...; BGN...; Minicomist...; Comist...; RiNOx..., BT...; BTL...;
Gl...; Gl...Mist; PYR...; TS..., TBG...,

Description:

domestic and industrial blown air burners fired by gas, oil and dual fuel respect the minimal regulation of the European Directives:

- **90/396/EEC (G.A.D)**
- **92/42/EEC (B.E.D)**
- **89/336/EEC (E.M.C. Directive)**
- **73/23/EEC (Low Voltage Directive)**
- **98/37 EEC (Machinery Directive)**

and have been designed and tested in accordance with the European Standards:

- **EN 676 (gas and dual fuel, gas side)**
- **EN 267 (light oil and dual fuel, oil side)**
- **EN 60335-1, 2003**
- **EN 50165: 1997 + A1:2001**
- **EN 55014 -1 (1994) and -2 (1997)**

Surveillance accordingly Gas Appliances Directive 90/396/EEC made by:

CE0085 - DVGW

The Vice President and Managing Director:

Dr. Riccardo Fava

INDEX.....	PAGE
- Warning notes for the user	“ 2
- Technical specifications.....	“ 4
- Application of the burner to boiler - Assembling the gas train	“ 8
- Wiring diagram	“ 9
- Descriptions of operations	“ 10
- Gas burner control devices	“ 11
- Methane gas ignition and adjustment	“ 12
- Ionisation current adjustment	“ 13
- Electrodes/ ionisation probe adjustment - Combustion head air adjustment	“ 16
- Servomotor cam regulation	“ 15
- Maintenance.....	“ 16
- Preparation for connection with train turned upward - Two stage gas-fired burners - Single stage air burner adjustment scheme.....	“ 17
- Problem - Cause - Solution	“ 18
- Electric diagram	“ 93

WARNING NOTES FOR THE USER HOW TO USE THE BURNER SAFELY

FOREWORD

These warning notes are aimed at ensuring the safe use of the components of heating systems for civil use and the production of hot water. They indicate how to act to avoid the essential safety of the components being compromised by incorrect or erroneous installation and by improper or unreasonable use. The warning notes provided in this guide also seek to make the consumer more aware of safety problems in general, using necessarily technical but easily understood language. The manufacturer is not liable contractually or extra contractually for any damage caused by errors in installation and in use, or where there has been any failure to follow the manufacturer's instructions.

GENERAL WARNING NOTES

- The instruction booklet is an integral and essential part of the product and must be given to the user. Carefully read the warnings in the booklet as they contain important information regarding safe installation, use and maintenance. Keep the booklet to hand for consultation when needed.
- Equipment must be installed in accordance with current regulations, with the manufacturer's instructions and by qualified technicians. By the term 'qualified technicians' is meant persons that are competent in the field of heating components for civil use and for the production of hot water and, in particular, assistance centres authorised by the manufacturer. Incorrect installation may cause damage or injury to persons, animals or things. The manufacturer will not in such cases be liable.
- After removing all the packaging make sure the contents are complete and intact. If in doubt do not use the equipment and return it to the supplier. The packaging materials (wooden crates, nails, staples, plastic bags, expanded polystyrene, etc.) must not be left within reach of children as they may be dangerous to them. They should also be collected and disposed on in suitably prepared places so that they do no pollute the environment.
- Before carrying out any cleaning or maintenance, switch off the equipment at the mains supply, using the system's switch or shut-off systems.
- If there is any fault or if the equipment is not working properly, de-activate the equipment and do not attempt to repair it or tamper with it directly. In such case get in touch with only qualified technicians. Any product repairs must only be carried out by BALTUR authorised assistance centres using only original spare parts. Failure to act as above may jeopardise the safety of the equipment. To ensure the efficiency and correct working of the equipment, it is essential to have periodic maintenance carried out by qualified technicians following the manufacturer's instructions.
- If the equipment is sold or transferred to another owner or if the owner moves and leaves the equipment, make sure that the booklet always goes with the equipment so it can be consulted by the new owner and/or installer.
- For all equipment with optionals or kits (including electrical), only original accessories must be used.

BURNERS

- This equipment must be used only for its expressly stated use: applied to boilers, hot air boilers, ovens or other similar equipment and not exposed to atmospheric agents. Any other use must be regarded as improper use and hence dangerous.
- The burner must be installed in a suitable room that has ventilation in accordance with current regulations and in any case sufficient to ensure correct combustion
- Do not obstruct or reduce the size of the burner' air intake grills or the ventilation openings for the room where a burner or a boiler is installed or dangerous mixtures of toxic and explosive gases may form.
- Before connecting the burner check that the details on the plate correspond to those of the utility supplies (electricity, gas, light oil or other fuel).
- Do not touch hot parts of the burner. These, normally in the areas near to the flame and any fuel pre-heating system, become hot when the equipment is working and stay hot for some time after the burner has stopped.
- If it is decided not to use the burner any more, the following actions must be performed by qualified technicians:
 - a) Switch off the electrical supply by disconnecting the power cable from the master switch.
 - b) Cut off the fuel supply using the shut-off valve and remove the control wheels from their position.
 - c) Render harmless any potentially dangerous parts.

Special warning notes

- Check that the person who carried out the installation of the burner fixed it securely to the heat generator so that the flame is generated inside the combustion chamber of the generator itself.
- Before starting up the burner, and at least once a year, have qualified technicians perform the following operations:
 - a) Set the burner fuel capacity to the power required by the heat generator.
 - b) Adjust the combustion air flow to obtain combustion yield of at least the minimum set by current regulations.
 - c) Carry out a check on combustion to ensure the production of noxious or polluting unburnt gases does not exceed limits permitted by current regulations.
 - d) Check the adjustment and safety devices are working properly.
 - e) Check the efficiency of the combustion products exhaust duct.
 - f) Check at the end of the adjustments that all the adjustment devices mechanical securing systems are properly tightened.
 - g) Make sure that the use and maintenance manual for the burner is in the boiler room.
- If the burner repeatedly stops in lock-out, do not keep trying to manually reset but call a qualified technicians to sort out the problem.
- The running and maintenance of the equipment must only be carried out by qualified technicians, in compliance with current regulations.

WARNING NOTES FOR THE USER HOW TO USE THE BURNER SAFELY

ELECTRICAL SUPPLY

- The equipment is electrically safe only when it is correctly connected to an efficient ground connection carried out in accordance with current safety regulations. It is necessary to check this essential safety requirement. If in doubt, call for a careful electrical check by a qualified technicians, since the manufacturer will not be liable for any damage caused by a poor ground connection.
- Have qualified technicians check that the wiring is suitable for the maximum power absorption of the equipment, as indicated in the technical plate, making sure in particular that the diameter of cables is sufficient for the equipment's power absorption.
- Adapters, multiple plugs and extension cables may not be used for the equipment's power supply.
- An omnipolar switch in accordance with current safety regulations is required for the mains supply connection.
- The electrical supply to the burner must have neutral to ground connection. If the ionisation current has control with neutral not to ground it is essential to make a connection between terminal 2 (neutral) and the ground for the RC circuit.
- The use of any components that use electricity means that certain fundamental rules have to followed, including the following:
 - do not touch the equipment with parts of the body that are wet or damp or with damp feet
 - do not pull on electrical cables
 - do not leave the equipment exposed to atmospheric agents (such as rain or sun etc.) unless there is express provision for this.
 - do not allow the equipment to be used by children or inexperienced persons.
- The power supply cable for the equipment not must be replaced by the user. If the cable gets damaged, switch off the equipment, and call only on qualified technicians for its replacement.
- If you decide not to use the equipment for a while it is advisable to switch off the electrical power supply to all components in the system that use electricity (pumps, burner, etc.).

GAS, LIGHT OIL, OR OTHER FUEL SUPPLIES

General warning notes

- Installation of the burner must be carried out by qualified technicians and in compliance with current law and regulations, since incorrect installation may cause damage to person, animals or things, for which damage the manufacturer shall not can be held responsible.
- Before installation it is advisable to carry out careful internal cleaning of all tubing for the fuel feed system to remove any residues that could jeopardise the proper working of the burner.
- For first start up of the equipment have qualified technicians carry out the following checks:
- If you decide not to use the burner for a while, close the tap or taps that supply the fuel.

Special warning notes when using gas

- Have qualified technicians check the following:
 - a) that the feed line and the train comply with current law and regulations.
 - b) that all the gas connections are properly sealed.
- Do not use the gas pipes to ground electrical equipment.
- Do not leave the equipment on when it is not in use and always close the gas tap.
- If the user of is away for some time, close the main gas feed tap to the burner.
- If you smell gas:
 - a) do not use any electrical switches, the telephone or any other object that could produce a spark;
 - b) immediately open doors and windows to create a current of air that will purify the room;
 - c) close the gas taps;
 - d) ask for the help of qualified technicians.
- Do not block ventilation openings in the room where there is gas equipment or dangerous situations may arise with the build up of toxic and explosive mixtures.

FLUES FOR HIGH EFFICIENCY BOILERS AND SIMILAR

It should be pointed out that high efficiency boilers and similar discharge combustion products (fumes) at relatively low temperatures into the flue. In the above situation, traditional flues (in terms of their diameter and heat insulation) may be suitable because the significant cooling of the combustion products in these permits temperatures to fall even below the condensation point. In a flue that works with condensation there is soot at the point the exhaust reaches the atmosphere when burning light oil or heavy oil or the presence of condensate water along the flue itself when gas is being burnt (methane, LPG, etc.). Flues connected to high efficiency boilers and similar must therefore be of a size (section and heat insulation) for the specific use to avoid such problems as those described above.

TECHNICAL DATA		TBG 45	TBG 45P	TBG 60	TBG 60P
THERMIC CAPACITY	MAX kW	450		600	
	MIN kW	100		120	
OPERATION		One stage	Two stages	One stage	Two stages
NOx EMISSION	mg/kWh	< 80 (Classe III secondo EN 676)			
MOTOR	kW	0,50		0,75	
	r.p.m.	2730		2800	
ABSORBED ELECTRICAL POWER*	kW	0,67	0,69	0,93	0,96
	line fuse A / 400 V	--		4	
IGNITION TRANSFORMER		26 kV - 40 mA - 230/240 V - 50/60 Hz			
VOLTAGE		1N ~ 230 V ±10%- 50 Hz		3N ~ 400 V ±10%- 50 Hz	
PROTECTION RATING		IP 44			
FLAME DETECTOR		IONIZATION PROBE			
NOISE**	dBA	73		75	
WEIGHT	kg	40		42	
Natural Gas (G 20)					
FLOW RATE	MAX m³/h	45,3		60,3	
	MIN m³/h	10,1		12,1	
GAS PRESSURE	MAX mbar	360			

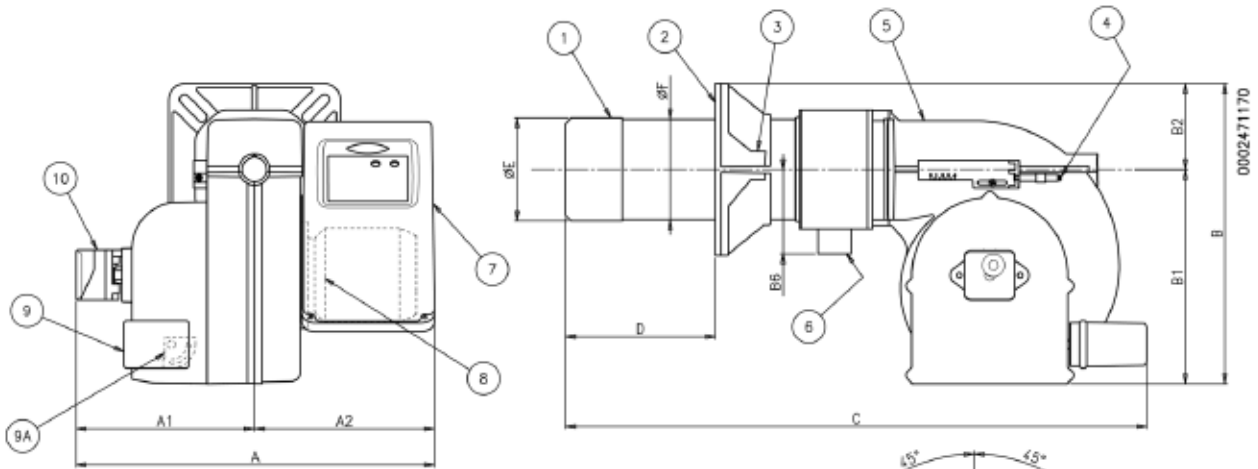
*) Total absorption at start with ignition transformer on. .

**) Noise levels measured by the manufacturer in the laboratory with burner running on test boiler, at maximum nominal thermal output.

STANDARD ACCESSORIES

	TBG 45	TBG 45P	TBG 60	TBG 60P
BURNER FIXING FLANGE	2	2	2	2
ISOLATING GASKET	1	1	1	1
STUD BOLTS	N° 4 M 12	N° 4 M 12	N° 4 M 12	N° 4 M 12
EXAGONAL NUTS	N° 4 M 12	N° 4 M 12	N° 4 M 12	N° 4 M 12
FLAT WASHERS	N° 4 Ø 12	N° 4 Ø 12	N° 4 Ø 12	N° 4 Ø 12

OVERALL DIMENSIONS



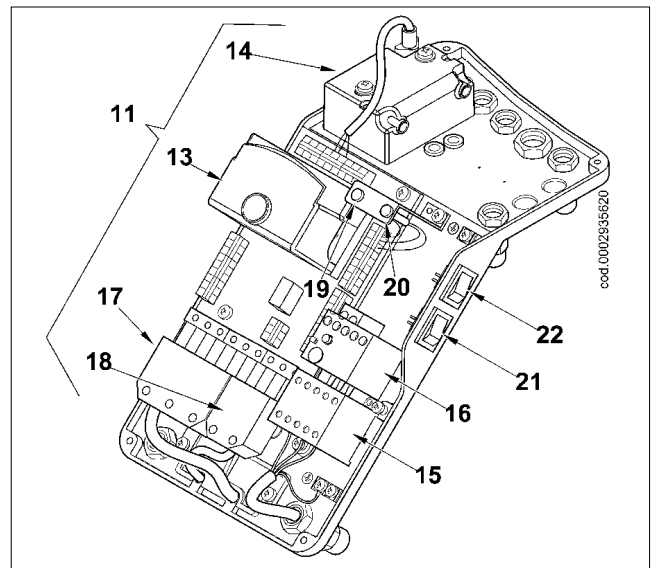
- 1) Combustion head
- 2) Gasket
- 3) Burner attachment flange
- 4) Combustion Head adjustment device
- 5) Cover
- 6) Gas train connector flange
- 7) Electrical panel
- 8) Motor
- 9) Air adjustment servomotor
- 9a) Manual air adjustment (TGB 45/60)
- 10) Air pressure switch

TBG 45
TBG 45P
TBG 45PN
TBG 45ME
TBG 60
TBG 60P
TBG 60PN
TBG 60ME

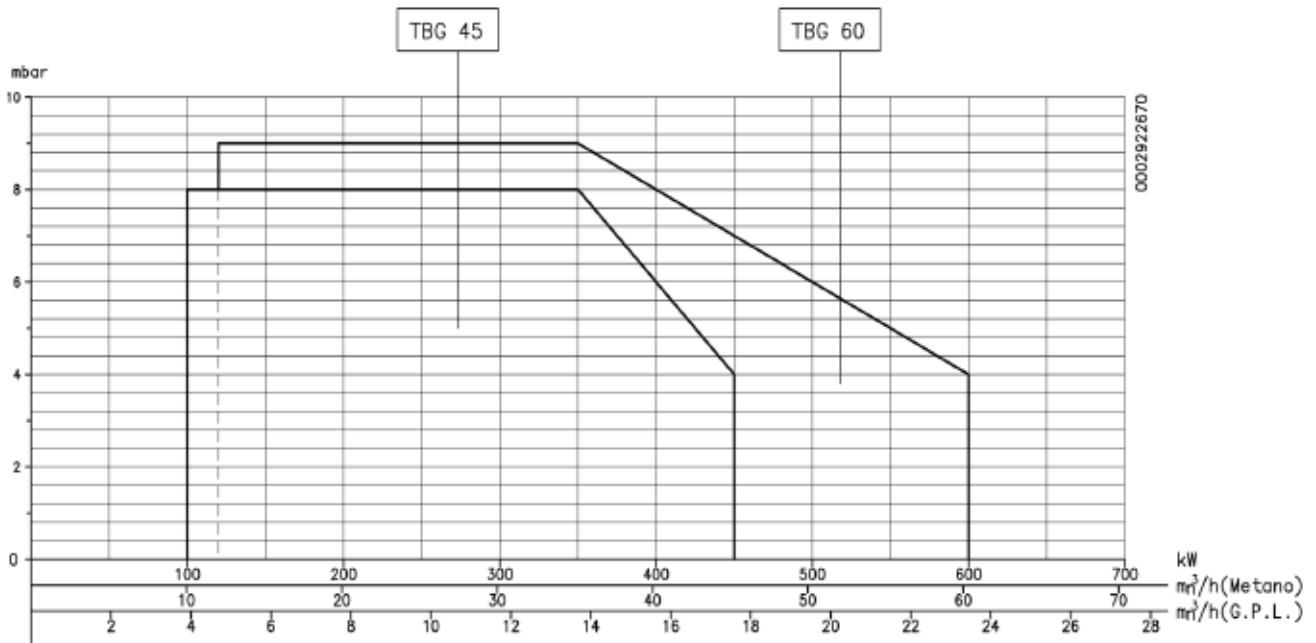
MODEL	A	A1	A2	B	B1	B6	C	D	D	E	F	I	L	L	M	N
								min	max	Ø	Ø		min	max		
TBG 45	550	270	280	435	325	160	880	140	300	137	133	215	200	245	M12	145
TBG 45P	550	270	280	435	325	160	920	140	300	137	133	215	200	245	M12	145
TBG 60	550	270	280	455	325	160	880	140	300	156	152	260	225	300	M12	160
TBG 60P	550	270	280	455	325	160	920	140	300	156	152	260	225	300	M12	160

ELECTRICAL BOX COMPONENTS

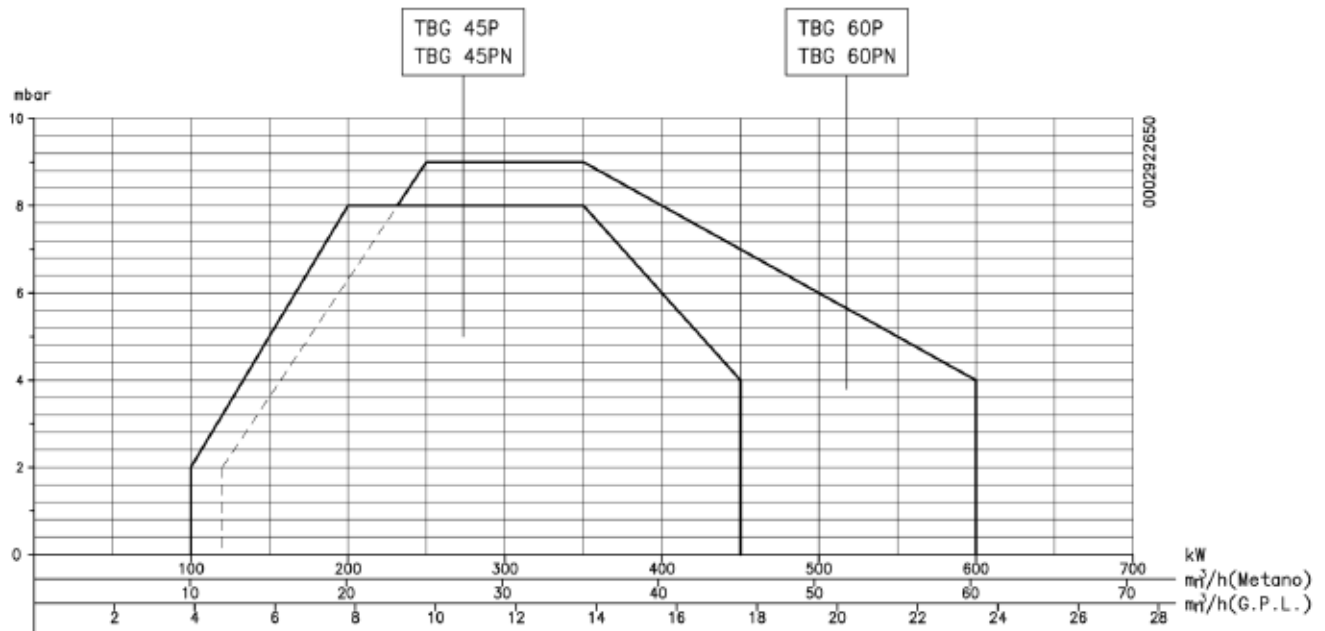
- 13) Equipment
- 14) Ignition transformer
- 15) Motor contactor (only for three-phase power supply)
- 16) Thermal relay (only for three-phase power supply)
- 17) 7 pole plug
- 18) 4 pole plug
- 19) Led burner on
- 20) Led burner lock-out
- 21) Un-lock switch button
- 22) ON/OFF switch



WORKING FIELD TBG 45 / 60 SINGLE STAGE



WORKING FIELD TBG 45P / 60P TWO STAGE



The working fields are obtained from test boilers corresponding to the standard EN267 and are indicatively for the combination burner-boiler. For correct working of the burner the size of the combustion chamber must correspond to current regulations; if not the manufacturers must be consulted.

POWER SUPPLY LINE

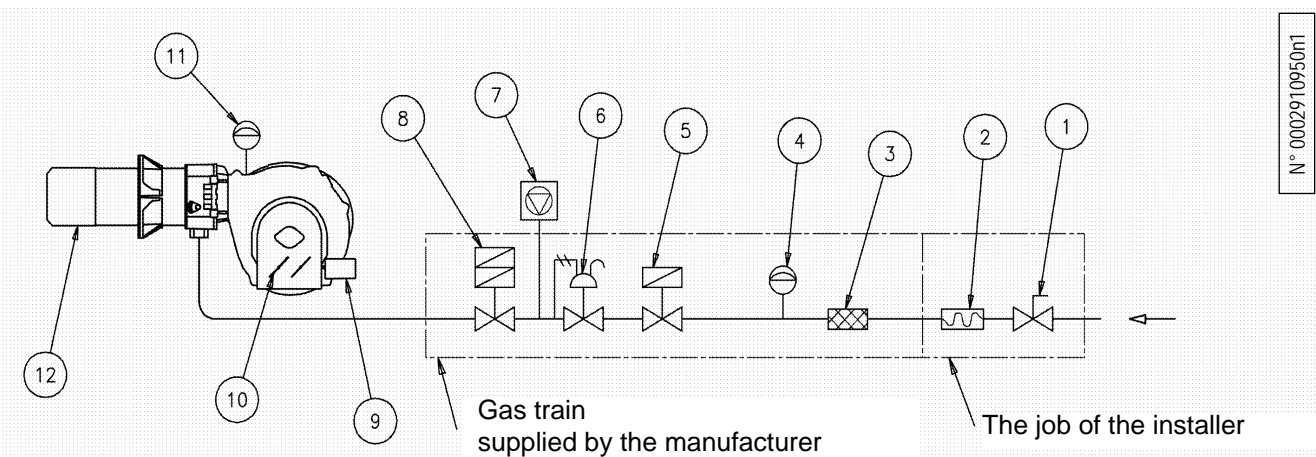
The gas supply scheme is shown in the diagram below. The gas train is certified in accordance with regulations EN 676 and is supplied separately from the burner.

A manual shut off valve and anti-vibration joint must be installed upstream of the gas valve, as shown in the diagram.

In the case of a gas train with a pressure regulator that is not incorporated in a monoblock valve, we consider it useful to give the following practical advice regarding the installation of accessory components to the gas piping close to the burner:

- 1) To prevent severe drops in pressure on ignition it is advisable to have a length of piping of 1.5 to 2 metres between the point of application of the stabiliser or pressure reducer and the burner. This pipe must have a diameter equal to or greater than the connector to the burner.
- 2) For the better working of the pressure regulator it is advisable to apply it to the horizontal piping, after the filter. The gas pressure regulator must be adjusted when working at maximum capacity and actually used by the burner. The delivery pressure must be adjusted to a level slightly below the maximum obtainable. (that which is obtained when the regulation screw is turned almost to the end); in the specific case, when the regulation screw is tightened, the output pressure from the regulator increases and when it is loosened it decreases.

GENERAL GAS BURNER SYSTEM



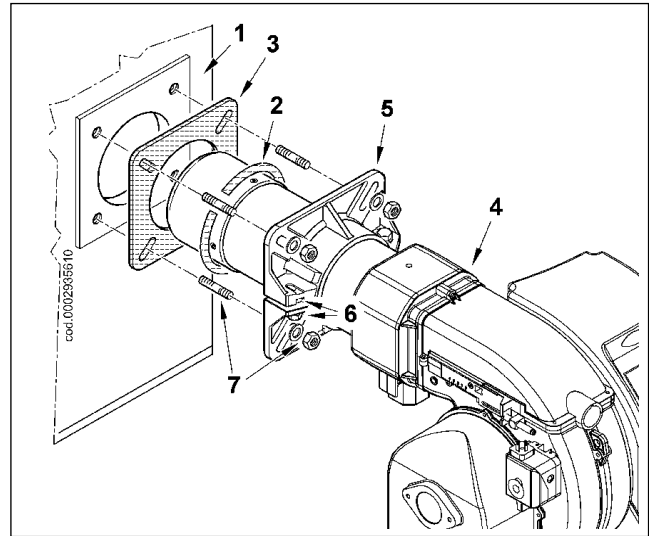
Legend

- | | |
|--------------------------------|---|
| 1) Manual shut off valve | 7) Valves seal control device (obligatory for burner with maximum nominal thermal out-put over 1200 kW) |
| 2) Anti-vibration joint | 8) Two-stage working valve |
| 3) Gas filter | 9) Control servomotor |
| 4) Minimum gas pressure switch | 10) Air adjustment gate |
| 5) Safety valve | 11) Air pressure switch |
| 6) Pressure regulator | 12) Combustion head |

APPLICATION OF BURNER TO BOILER

- Position insulating seal 3 on the sleeve, placing cord 2 between the flange and the seal.
- slacken screws "6", adjust the position of connection flange "5" so that the combustion head penetrates the furnace up to the length recommended by the generator manufacturer.
- Fasten the burner 4 to the boiler 1 by means of the stud bolts, washers and the nuts provided 7.

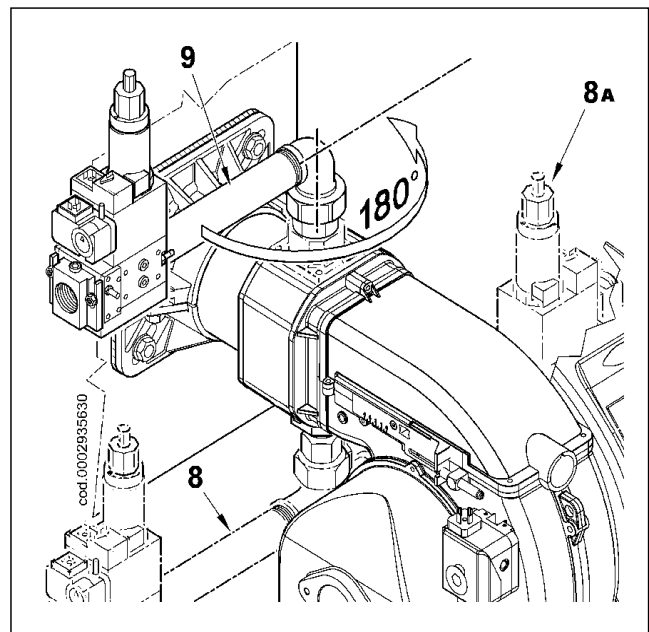
Note: Completely seal the space between the tube unit of the burner and the hole in the refractory panel using suitable materials to do so.



ASSEMBLING THE GAS TRAIN

There are different ways of assembling the valve train, 8, 8a and 9 as shown in the drawing. The burner is supplied with the gas train connection facing downward. If you wish to invert the direction of train entrance to allow the valve set to be assembled in configuration 9, follow the procedure described in the section entitled: "Preparation for connection with train turned upward".

Choose the most rational position for the set-up of the boiler room and the position in which the gas pipe arrives.



WIRING DIAGRAM

The three-phase power supply line must have a switch with fuses. The regulations further require a switch on the burner's power supply line, outside the boiler room and in an easily accessed position. For the electrical connections (line and thermostats), follow the wiring diagram enclosed. To carry out the connection of the burner to the power supply line proceed as follows:

- Remove the lid by unscrewing the 4 screws (1) in figure 1. In this way the burner's electrical panel can be accessed.
- Slacken screws (2) and, after removing the cable float plate (3), pass the two 7 and 4 pole plugs through the hole (see figure 2). In the case of a three-phase burner, connect the power supply cables (4) to the contactor, fix the ground cable (5) and tighten its cable holder.
- Reposition the cable float plate as in figure 3. Turn the cam (6) so that the float exerts sufficient pressure on the two cables, then tighten the screws that fasten the cable float. Finally, connect the two 7 and 4-pole plugs.

IMPORTANT: the housings for the cables for the 7 and 4-pole plugs are respectively for cable Ø 9.5-10 mm and Ø 8.5-9 mm, this to make sure the protection rating of IP 44 (IEC EN 60529) for the electrical panel.

- To reclose the electrical panel lid, tighten the 4 screws (1) with a torque of about 5 Nm to ensure the correct seal.

IMPORTANT: only qualified technicians may open the burner's electrical panel.

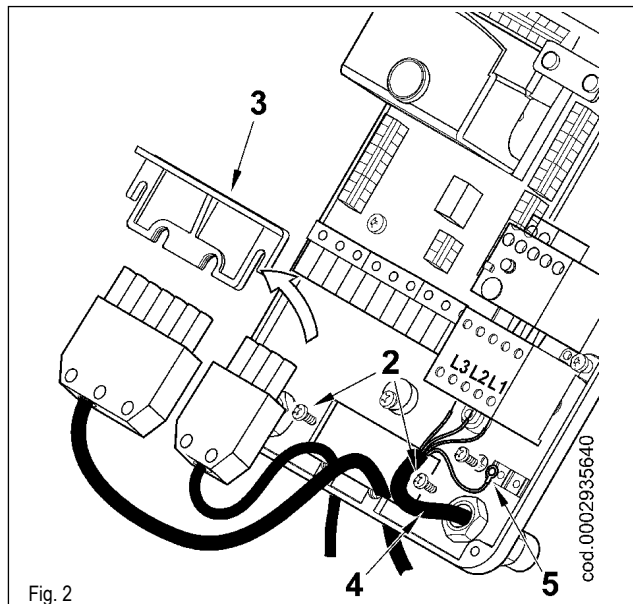


Fig. 2

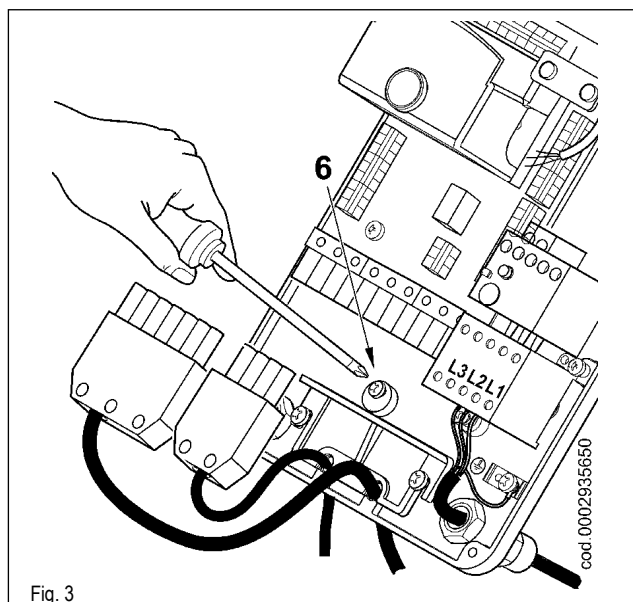


Fig. 3

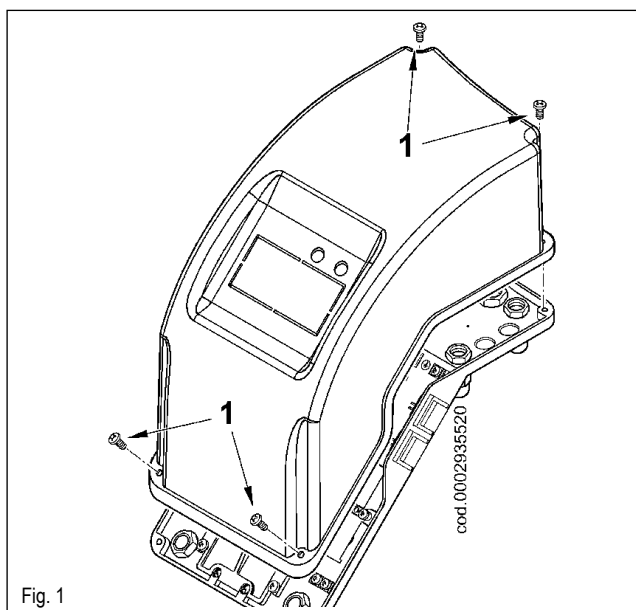


Fig. 1

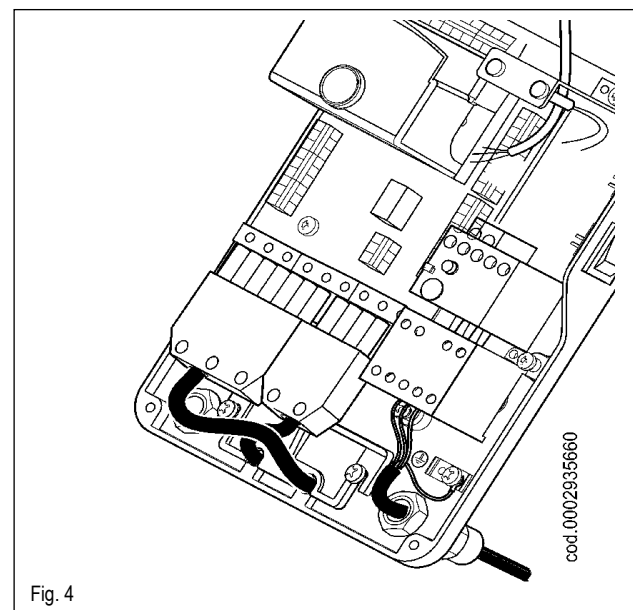


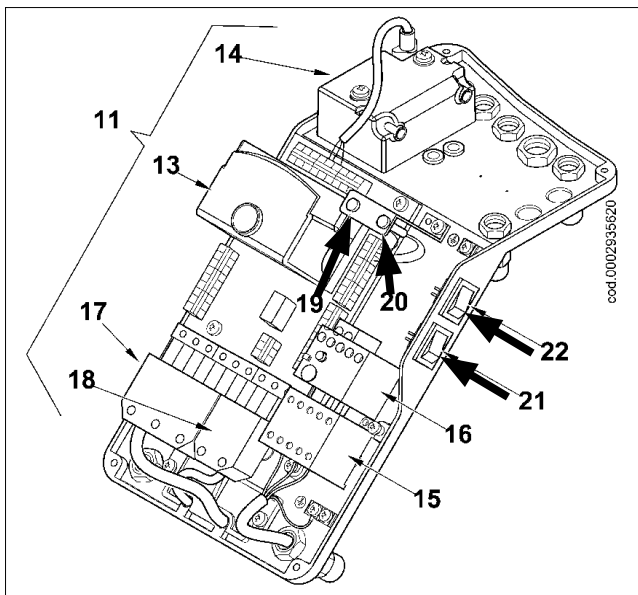
Fig. 4

DESCRIPTION OF TBG 45 / 60 OPERATION

When the main switch and the I/O switch (22) on the electrical panel are closed, if the thermostats are closed, voltage will reach the command and control device, which starts up the burner (led 19 comes on).
 This turns on the fan motor for preventilation of the combustion chamber.
 The ignition transformer then comes on, and 2 seconds later the gas valves open.
 The main valve, which has two stages, has a device for adjusting gas delivery for the first and second flame.
 The safety valve is an ON/OFF valve.
 Combustion air may be adjusted manually using the air lock (see section entitled "Diagram for adjustment of air in single-stage burner TBG 45-60").
 As the burner is ON/OFF, the position of the air lock must be regulated for operation at maximum capacity.
 The presence of the flame, detected by the control device, permits continuation and completion of ignition, turning off the ignition transformer.
 The second flame then comes on (the second stage in the main valve opens).
 If there is no flame, the appliance shuts down in "safety lock-out" mode (led 20 comes on) within 3 seconds of the opening of the first flame on the main valve.
 In "safety lock-out" mode the valves are closed again immediately.
 To release the appliance from safety lock-out mode, press button (21) on the electrical panel.

DESCRIPTION OF TBG 45P - 60P OPERATION

When the main switch and the I/O switch (22) on the electrical panel are closed, if the thermostats are closed, voltage will reach the command and control device, which starts up the burner (led 19 comes on).
 This turns on the fan motor for preventilation of the combustion chamber. At the same time, the servomotor commanding the air lock opens in the position corresponding to the second flame, so preventilation takes place with the air lock in the second flame position.
 At the end of the preventilation phase, the air lock is returned to the first flame position, then the ignition transformer comes on and, 2 seconds later, the gas valves open.
 The main valve, which has two stages, has a device for adjusting gas delivery for the first and second flame.
 The safety valve is an ON/OFF valve.
 The air lock is operated by an electric servomotor(see 0002934711).
 Keep in mind that when the burner is locked out because the thermostat is tripped, the servomotor returns the air lock to the closed position.
 The presence of the flame, detected by the control device, permits continuation and completion of ignition, turning off the ignition transformer. The second flame then comes on (combustion air is increased and the second stage of the main valve opens).
 If there is no flame, the appliance shuts down in "safety lock-out" mode (led 20 comes on) within 3 seconds of the opening of the first flame on the main valve.
 In "safety lock-out" mode the valves are closed again immediately.
 To release the appliance from safety lock-out mode, press button (21) on the electrical panel..



Equipment or programmer	Safety time	Preventilation time	Pre-ignition	Post-ignition	Opening time 1st flame valve and the 2nd flame valve	time travel opening damper	time travel closing damper
	s	s	s	s	s	s	s
LME 22.331A2	3	30	2	2	11	12	12
LME 22.233A2	3	30	2	2	11	30	30

GAS BURNER CONTROL DEVICE GAS LME 22...

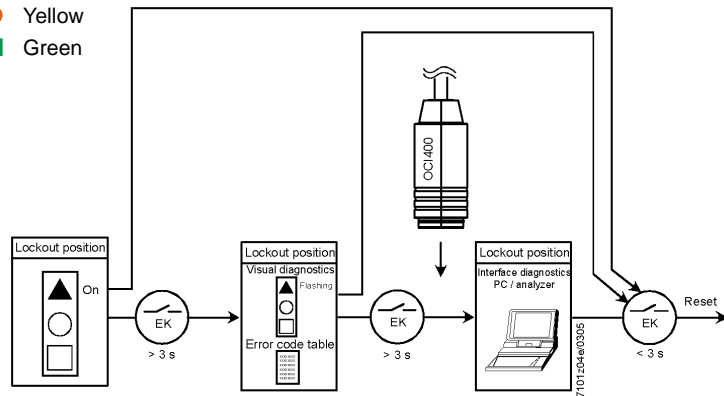
Operational status indication

During startup, status indication takes place according to the following table:

Color code table for multicolor signal lamp (LED)		
Status	Color code	Color
Waiting time «tw», other waiting states	○.....	Off
Ignition phase, ignition controlled	● ○ ● ○ ● ○ ● ○ ●	Flashing yellow
Operation, flame o.k.	○.....	Green
Operation, flame not o.k.	■ ○ ■ ○ ■ ○ ■ ○ ■	Flashing green
Extraneous light on burner startup	■ p ■ p ■ p ■	Green-red
Undervoltage	● p ● p ● p ●	Yellow-red
Fault, alarm	p.....	Red
Error code output (refer to «Error code table»)	p ○ p ○ p ○ p ○	Flashing red
Interface diagnostics	pppppppp	Red flicker light

Legend
○ Steady on
● Yellow
■ Green
p Red

After lockout. the red fault signal lamp will remain steady on. In that condition visual diagnostics of the cause of fault according to the error code table can be activated by pressing the lockout reset button for more than 3 seconds. Pressing the reset button again for at least 3 seconds, interface diagnostics will be activated. The following sequence activates the diagnostics of the cause of fault:



Error code table		
Red blink code of signal lamp (LED)	«AL» at term. 10	Possible cause
2 blinks ● ●	On	No establishment of flame at the end of «TSA» -Faulty or soiled fuel valves -Faulty or soiled flame detector -Poor adjustment of burner, no fuel -Faulty ignition equipment
3 x blinks ● ● ●	On	«LP» faulty -No or faulty air pressure signal after completion «t10» - «LP» is welded in normal position
4 blinks ● ● ● ●	On	Extraneous light when burner startup
5 blinks ● ● ● ● ●	On	Time out «LP» - «LP» is welded in working position
6 blinks ● ● ● ● ● ●	On	Free
7 blinks ● ● ● ● ● ● ●	On	Too many losses of flame during operation (limitation of repetitions) -Faulty or soiled fuel valves -Faulty or soiled flame detector -Poor adjustment of burner
8 x blinks ● ● ● ● ● ● ● ●	On	Free
9 blinks ● ● ● ● ● ● ● ● ●	On	Free
10 blinks ● ● ● ● ● ● ● ● ● ●	Off	Wiring error or internal error, output contacts, other faults

During the time the cause of fault is diagnosed, the control outputs are deactivated

- Burner remains shut down
- External fault indication remains deactivated
- Fault status signal «AL» at terminal 10, according to the error code table

The diagnostics of the cause of fault is quit and the burner switched on again by resetting the burner control. Press the lockout reset button for about 1 second (< 3 seconds).

METHANE GAS IGNITION AND ADJUSTMENT

- 1) Check that there is water in the boiler and that the gate valves for the system are open.
- 2) Check, with complete certainty, that the discharge of combustion products can take place freely (boiler and flue gates open).
- 3) Check that the voltage of the electrical line corresponds to the burner voltage. Electrical connections (motor and main line) must be prepared for the voltage available. Check that all electrical connections made on-site are performed correctly as shown in our wiring diagram. Prevent the second flame from functioning by disconnecting the 4 pole connector (18) from the electrical panel (0002935620) for TBG 45P-60P burners; for TBG 45 60 burners, disconnect the wire from terminal 5 on the terminal board on the printed circuit supplying coil Y2.
- 4) Adjust air for the ignition flame:
 - for TBG 45P - 60P burners with an electric servomotor, follow the instructions given in card 0002934711;
 - for burner TBG 45 - 60 with manual adjustment, adjust the air for the second flame on the basis of the instructions given in the section entitled "Diagram for adjustment of air in TBG 45-60 single-stage burner".
- 5) Carefully manoeuvre the gas adjustment device valve to open, for the amount presumed necessary, the first flame flow adjuster (see the instructions for the two-stage gas valve for the model installed on the burner). If necessary, of course, open the safety valve flow adjuster completely if there is one.
- 6) For three phases burners, with the switch I/O (22) on the burner panel (see 000293560) at the position "0" and the main switch on, check, closing the contactor manually, that the motor rotates in the right direction, if necessary swap the two power cables for the motor around to change the direction of rotation.
- 7) Now switch on the control panel switch (22). The control equipment thus receives voltage and the programmer causes the burner to switch on as described in the chapter "description of working". During the prevention stage you must check that the air pressure control switch carried out the exchange (from the closed position without pressure detection it must go to the closed position detecting air pressure). If the air pressure switch does not detect sufficient pressure (does not carry out the exchange) the ignition transformer is not switched on, nor are the gas valves, and so the equipment is stopped in its "lock-out" mode. On first switching on repeated "lock outs" may occur due to:
 - a) the gas piping not being freed of the air sufficiently and so the gas quantity is not enough to provide a stable flame.
 - b) "lock out" with flame present maybe caused by instability in the ionisation area, due to an incorrect air/gas ratio. This can be remedied by varying the quantity of air and/or gas until the right ratio is found. The same problem may be caused by incorrect air/gas distribution in the combustion head. This can be remedied with the combustion head adjustment device by closing or opening further the air passage between combustion head and gas diffusor.
- c) It may happen that the ionisation current is interfered with by the discharge current of the ignition transformer (the two currents have a common path on the burner's "mass") so the burner gets locked out due to insufficient ionisation. This can be remedied by inverting the supply (230V side) of the ignition transformer (swapping the two wires carrying voltage to the transformer). This problem may also be caused by an insufficient "ground connection" from the burner's casing.
- 8) With the burner on at minimum you must carry out an immediate visual check on the extent of and appearance of the flame, performing the necessary corrections with the gas and air supply regulators (see points 4 and 5). Subsequently a check is carried out on the quantity of gas supplied, by reading the meter. If necessary the gas supply and the corresponding combustion air can be corrected as previously described (points 4 and 5). Subsequently the combustion is checked with the special instruments. For a correct air/gas ratio you must find a carbon dioxide (CO₂) value for the methane that is at least 8 % or O₂ = 6% at minimum burner supply up to an optimal value of 10 % or O₂ = 3% for maximum supply. It is essential to check, with a suitable instrument, that the percentage of carbon monoxide (CO) present in the fumes does not exceed the limit set by regulations at the time of installation."
- 9) Repeatedly check that the first flame is supplied correctly. After adjusting operation with the first flame, turn off the burner, open the main switch and close the electrical circuit commanding inclusion of the second flame: reinsert the 4 pole connector previously disconnected in the case of TBG 45P-60P burners; reconnect the wire to terminal 5 on the terminal board on the printed circuit supplying coil Y2 in the case of TBG 45-60 burners.
- 10) Open the manual regulator for the gas supply for the second flame (main flame) to the presumed necessary quantity.
- 11) Now switch the burner on again, closing the master switch and that on the control panel. The burner switches on and automatically switches on the second flame (main flame). Carry out an immediate visual check on the extent of and appearance of the flame, performing the necessary corrections with the gas and air supply regulators as indicated in points 4 and 5.
- 12) Use the adjuster to set the correct flow for the second flame as required for the specific case. You must not keep the burner running if the capacity is greater than the maximum permitted amount for the boiler, or there is a risk it could be damaged. It is therefore best to stop the burner immediately after the twometer readings.
- 13) Subsequently, with the burner at maximum supply required by the boiler, check the combustion with the special instruments and if necessary change the adjustment previously carried out (air and possibly gas) with just the visual check (CO₂ max. = 10 % O₂ min =3% - CO max. = 0.1%
- 14) The air pressure switch is there to prevent the opening of the gas valves if the air pressure is not that required. The pressure switch must therefore be adjusted to intervene to close its con-

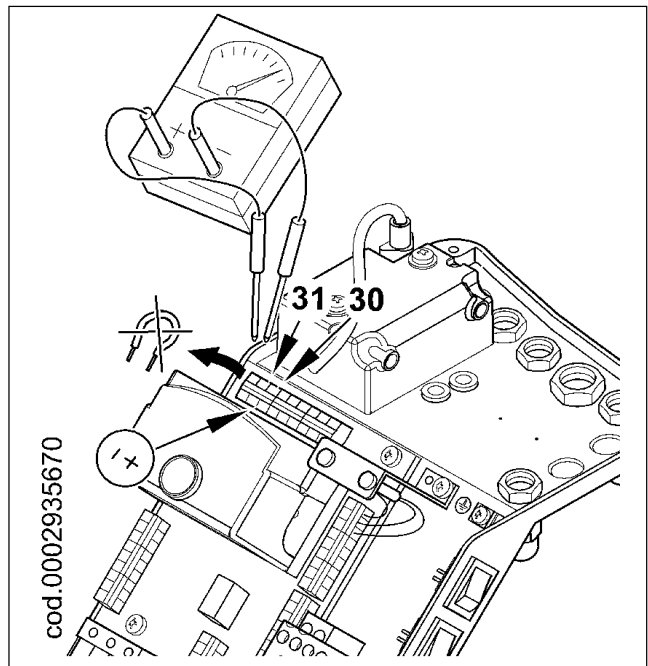
tact when the air pressure in the burner reaches a sufficient value. The pressure switch connection circuit provides for auto control so it necessary for the contact to be actually closed when the fan is stopped (no air pressure in burner). If it is not the command and control equipment will not go on (the burner stays stopped). If the air pressure switch does not detect pressure greater than that calibrated, the equipment runs through its cycle but does not switch on the ignition transformer and does not open the gas valves and so the burner "locks-out". To ensure correct working of the air pressure switch you must, with burner on and with first flame only, increase the regulation until it is triggered and immediately "locks-out" the burner. To release the burner, press the release button and adjust the pressure switch to a sufficient level to detect the existing air pressure during the preventilation stage.

- 15) The control pressure switches for the gas (minimum) are to prevent the working of the burner when the pressure of the gas is not as provided for. It is clear from the specific function of the pressure switches that the control pressure switch for minimum pressure must make use of the contact that is closed when the pressure switch detects a pressure greater than that for which it is regulated. The adjustment of the minimum gas pressure switch must therefore be carried out when the burner is started up, in accordance with the pressure that is found at the time. The triggering (i.e. the opening of the circuit) of any of the pressure switches when the burner is running (flame on) cause the burner to stop immediately. On first switching on of the burner it is essential to check the correct working of the pressure switch.
- 16) Check the triggering of the flame detector (ionisation electrode) by disconnecting the jumper between terminals 30 and 31 on the printed circuit board and switching on the burner. The equipment must run through its cycle completely and, three seconds after the ignition flame has formed, "lock-out". This check must also be carried out the burner already on. Disconnecting the 30 and 31 jumper, the equipment must immediately go into its "lock-out" action.
- 17) Check the proper working of the boiler thermostats or pressure switches (when triggered they must stop the burner).

IMPORTANT. Check that the switch on occurs normally since if the adjuster is shifted forward, it may happen that the speed of the delivery air is so high that ignition is difficult. If this happens, the adjust must be shifted back by degrees until it is in a position in which ignition occurs normally, and this new position can be regarded as the final position. We remind you that is preferable, in the case of the small flame, to limit the quantity of air to the least possible needed for safe ignition, even in the most difficult circumstances.

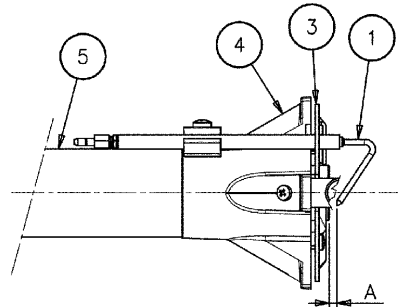
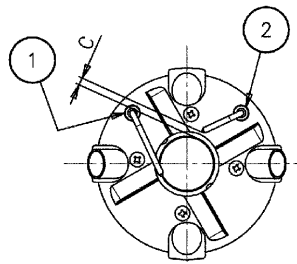
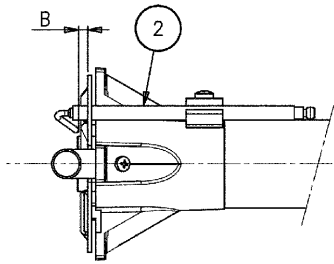
IONISATION CURRENT MEASUREMENT

To measure the ionisation current, remove the jumper between terminals 30-31 on the printed circuit with the burner off (see diagram). Connect a microampmeter to the terminals (with a suitable scale to have the burner restart). Once the flame has appeared it will be possible to measure the ionisation current, the minimum value of which to ensure the working of the equipment is shown in the specific wiring diagram. After making the measurement, reset the jumper that has been disconnected.

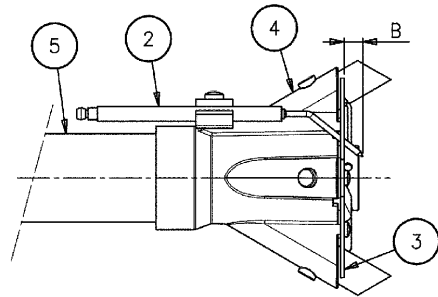
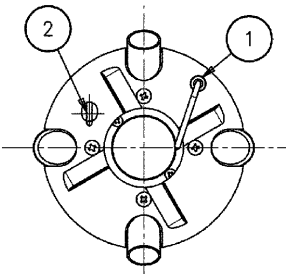
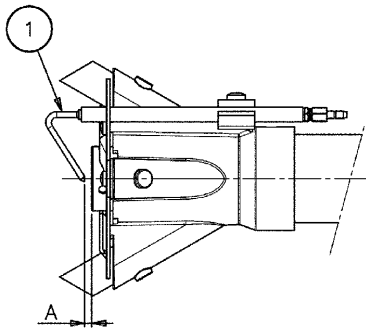


ELECTRODES/IONISATION PROBE ADJUSTMENT DIAGRAM

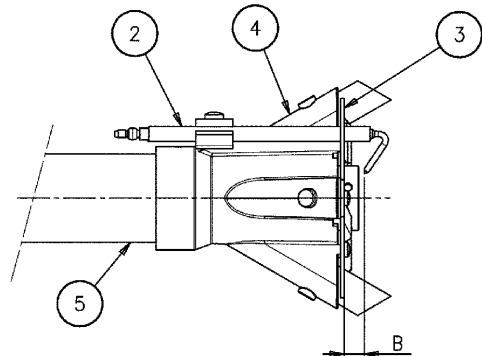
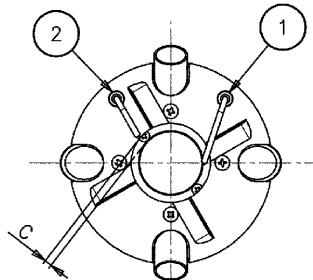
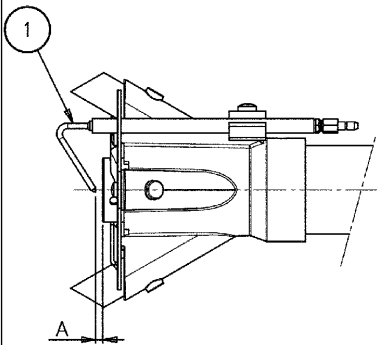
0002935680



TBG 45, TBG 45P, TBG 45PN, TBG 45ME



TBG 60P, TBG 60PN, TBG 60ME



TBG 60

Legend:

- 1- Ionisation electrode
- 2- Ignition electrode
- 3- Deflector disk
- 4- Mixer
- 5- Gas outlet pipe

Mod.	A	B	C
TBG 45 - 45P	4	5	4
TBG 60P	4	10	-
TBG 60	4	11	4

COMBUSTION HEAD AIR ADJUSTMENT

The combustion head has an adjustment device so that the air passage between the disk and the combustion head is opened or closed. You are thus able to obtain, closing the passage, high pressure upstream of the disk even at low capacity. The high speed and turbulence of the air provides for its greater penetration into the fuel and therefore an excellent mixture and flame stability. It may be necessary to have high air pressure before the disk to prevent flame fluctuations, particularly essential when the burner works on the combustion chamber that is pressurized and/or at a high thermal load.

It is clear from the above that the device that closes the air to the blast-pipe must be set at a position such as to always obtain very

high air pressure behind the disk. It is advisable to adjust in such a way as to obtain a closure of the air at the combustion head that will require a significant opening of the air damper that regulates the aspiration flow from the burner fan. This must of course be the case when the burner is working at maximum desired supply.

In practice you have to start the adjustment with the device that closes the air at the combustion head in an intermediate position, switching on the burner for approximate adjustment as explained previously.

When the maximum desired supply has been reached, the position of the device that closes the air at the combustion head is corrected, moving it forward and backwards, until the right amount of air is flowing to the supply, with the air damper in significantly open.

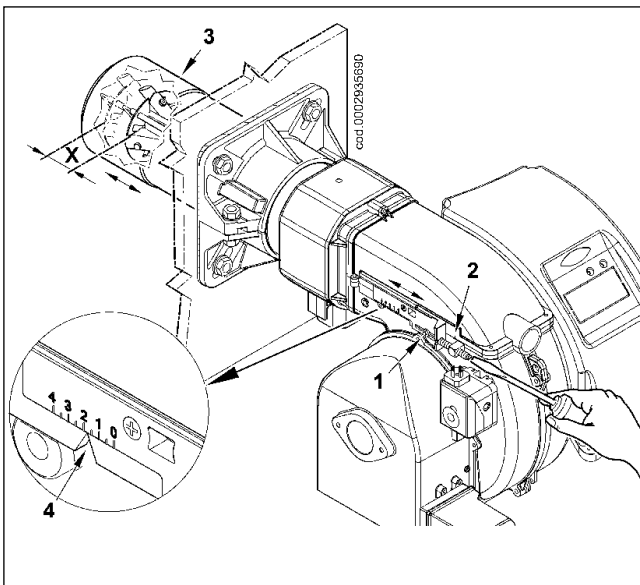
BURNER	X	Value indicated by index 4
TBG 45 / 45P	3 ÷ 31	0 ÷ 3,2
TBG 60 / 60P	6 ÷ 34	0 ÷ 3,2

X= Distance between combustion head and disk; adjust the distance X following the indications below:

- slacken screw 1
- turn screw 2 to position the combustion head 3, referring to index 4.
- adjust the distance X between minimum and maximum according to the indications in the table.

IMPORTANT The above adjustments are indicative only; position the combustion head according to the characteristics of the combustion chamber

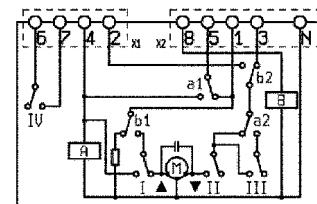
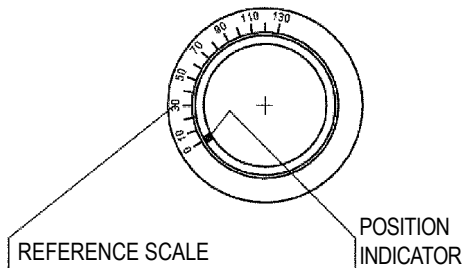
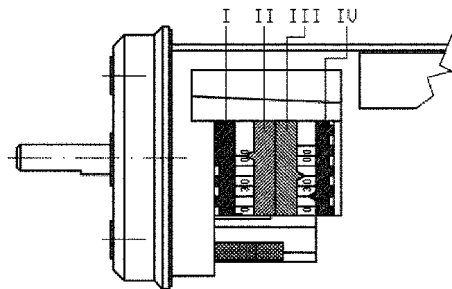
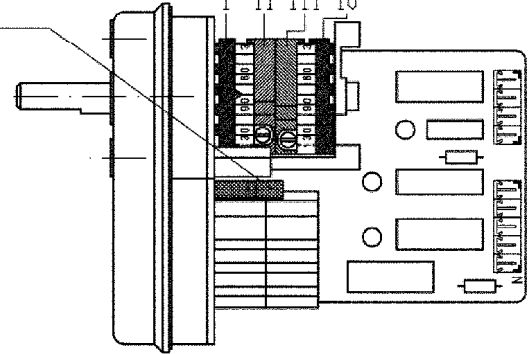
COMBUSTION HEAD ADJUSTMENT SCHEME



CAMS REGULATION SERVOMOTOR SQN72.XA4A20 FOR TBG ...P

0002934711

INSERTION AND DISINSERTION LEVER MOTOR CONNECTION ADJUSTABLE CAMS CAMSHAFT



SQN72.2A4A20BT
SQN72.6A4A20BT

- I 2nd FLAME AIR ADJUSTING CAM (80°)
- II TOTAL AIR CLOSURE (BURNER AT STANDSTILL) (0°)
- III 1st FLAME AIR ADJUSTING CAM (20°)
- IV 2nd FLAME VALVE ACTUATING CAM (40°)

TO MODIFY THE REGULATION OF THE CAMS UTILIZED, OPERATE THE RESPECTIVE RINGS (I - II - III - IV). THE INDEX OF THE RING INDICATE ON THE RESPECTIVE REFERENCE SCALE THE ROTATION ANGLE TAKEN UP FOR EACH CAM.

MAINTENANCE

Carry out periodic analysis of the exhaust combustion gas, checking the emissions.

Periodically replace the gas filter when dirty.

Check that all the components of the combustion head are in a good state, not deformed by the temperature and free from impurities or deposits from the installation environment or by poor combustion and check also the electrodes are working efficiently.

If the combustion head needs to be cleaned, remove the components following the procedure indicated below:

- 1) Slacken the screws 1 and remove the lid 2 (figure 1).
- 2) Make sure that mobile plate 3 is held in place by screw 4. This will permit the mixer unit to be reassembled in the position adjusted previously after completion of maintenance work. Slacken screw 5, which anchors the unit's forward movement rod to the mobile plate (figure 2).
- 3) Completely unscrew the nut (6) and tighten the screw (7), moving it forward inside the gas delivery connection (8) far enough to permit subsequent dismantling of the mixing unit. Slightly raise the gas delivery union (8) out of its housing (figure 3).
- 4) Completely remove the mixing unit, pulling it out in the direction shown by arrow 9, after pulling the ignition and ionisation cables 10 out of their electrodes (figure 4).

Complete maintenance operations, proceed with re-assembly of the combustion head, following the above instructions in reverse order, after having checked the correct position of the ignition and ionisation electrodes (see diagram 0002935680).

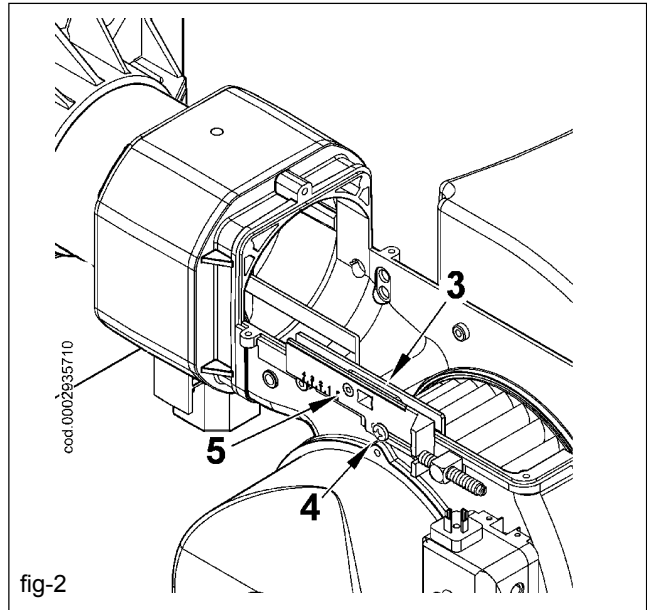


fig-2

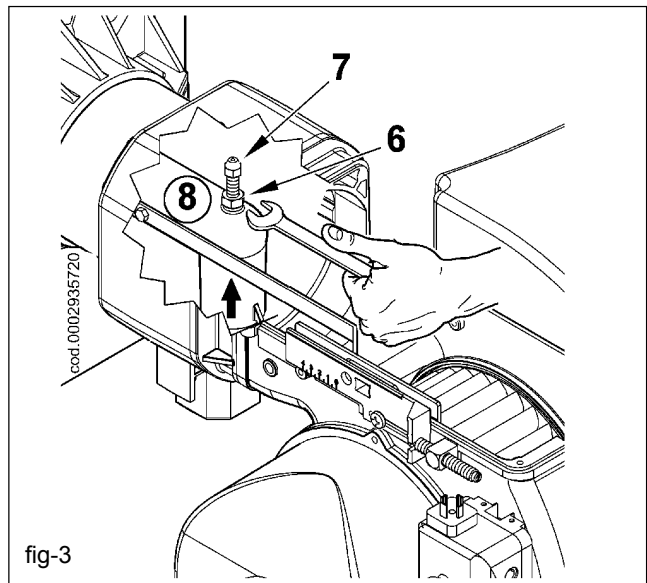


fig-3

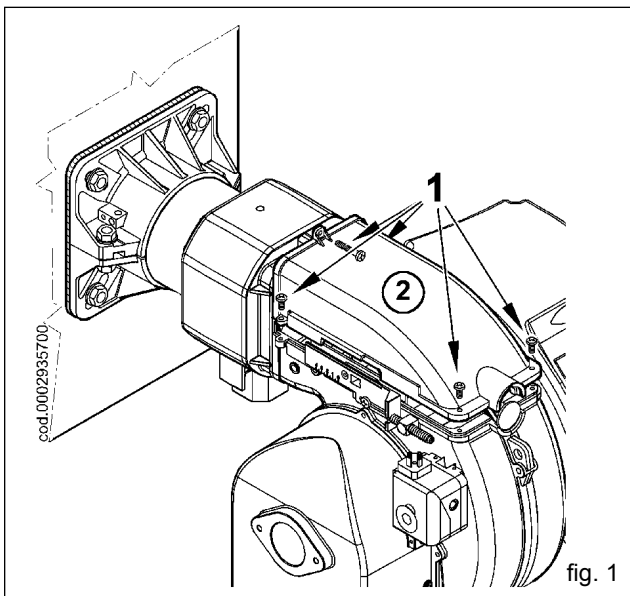


fig. 1

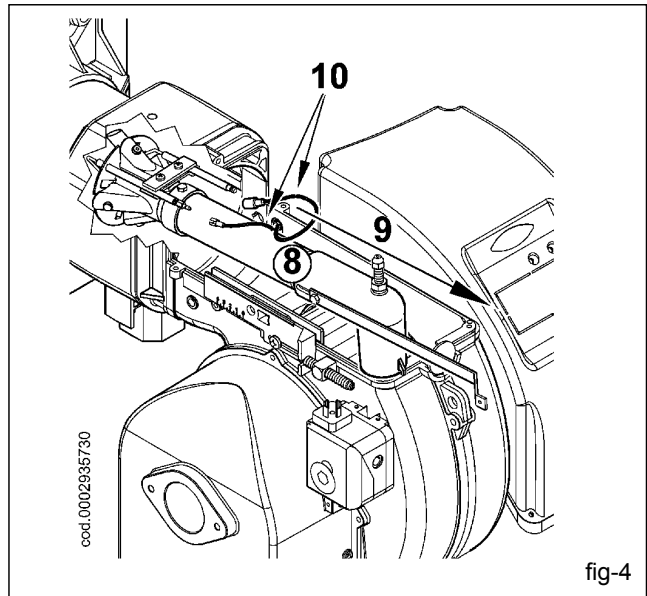


fig-4

PREPARATION FOR CONNECTION WITH TRAIN TURNED UPWARD

If you wish to orient the entrance train side upward before applying the burner to the boiler, proceed as follows.

- 1) Following the instructions in the section entitled "Maintenance", remove the mixer unit and remove the screw (1) connecting the forward movement rod (2) of the unit with the gas delivery pipe (3) passing through the slot (4) in the elbow union (figure 1).
- 2) Turn the elbow union 180° so that the hole in the gas delivery pipe is aligned with the slot (4a) in the diametrically opposed position on the union. Connect up the forward movement rod (2) and the gas delivery pipe (3) with the screw (1) shown in figure 1.
- 3) Now remove the 4 nuts (5) in figure 2, dismantle the flame tube (6) and, after pulling off the lung (7) from its stud bolts, put it back in position with the threaded connection for anchoring the gas train turned upward.
- 4) To complete the operation, anchor the flame tube (6) and the lung (7) in place with the 4 nuts (5), then put the mixing unit back in its housing.

You may now install the burner on the boiler with the valve train layout shown in configuration 9, described in the section on "Assembling the gas train".

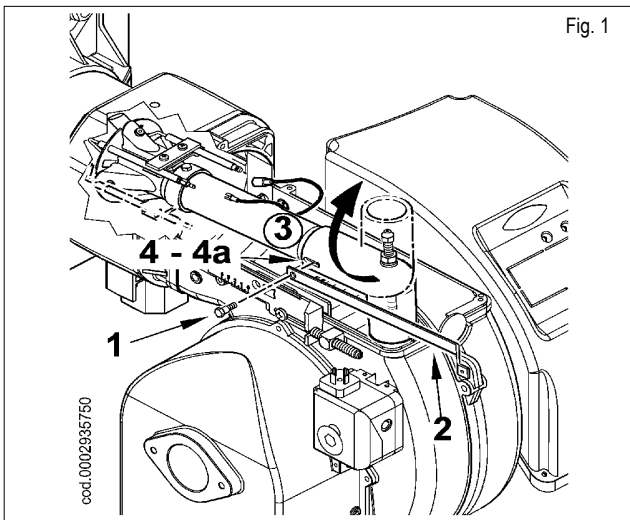


Fig. 1

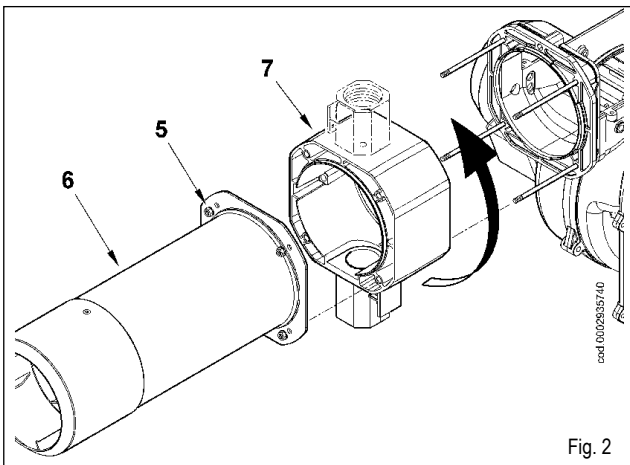


Fig. 2

TWO STAGE GAS-FIRED BURNER

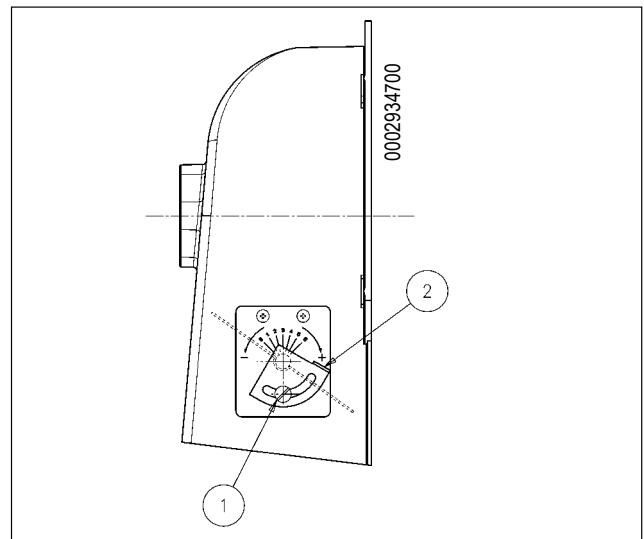
It is normally not advisable to connect a burner working on a boiler for heating water for two-flame working. The burner can also work for long periods of time with one flame alone. The boiler is insufficiently loaded and so come out at too low a temperature (less than dew point) giving rise to the presence of condensation water in the flue. When the two-flame burner is installed on a boiler for the production of hot water for heating, it must be connected in such a way as to work normally with both flames completely stopping, without changing to the first flame, when the preset temperature has been reached. For this type of working the thermostat for the second flame is not installed and a direct connection is made (jumper) between the equipment's terminals.

SINGLE STAGE AIR BURNER TBG 45 - 60 ADJUSTMENT SCHEME

To adjust the angle of opening of the air damper, slacken the screw (1) and turn the hand wheel (2) to bring the index to the desired position. Subsequently tighten the screw to lock the damper.

Position 0: air damper fully closed.

Position 6: air damper fully open.



TWO-STAGE GAS BURNERS: TROUBLE-SHOOTING GUIDE

DETAILS OF PROBLEM	POSSIBLE CAUSE	SOLUTION
The apparatus goes into “lock-out” with the flame (red light on). Fault restricted to flame control device	1) Disturbance to ionization current from ignition transformer..	1) Invert the ignition transformer power supply (230V side) and check using an analog micro-ammeter.
	2) Flame sensor (ionization probe) inefficient.	2) Replace flame sensor
	3) Flame sensor (ionization probe) position incorrect.	3) Correct the position of the flame sensor, and then check its efficiency by inserting the analog micro-ammeter..
	4) Ionization probe or relative earth cable.	4) Check visually and using the instrument.
	5) Electrical connection cut-off by flame sensor.	5) Restore the connection..
	6) Inefficient draught or fumes passage blocked..	6) Ensure that the boiler fumes passage and chimney connection are free..
	7) Flame disk or combustion heads dirty or worn..	7) Visually check and replace, if necessary.
	8) Equipment fault..	8) Replace
	9) No ionization.	9) If the “earth” of the apparatus is not efficient, do not check the ionization current. Check the efficiency of the “earth” at the terminal concerned of the apparatus and at the “earth” connection of the electric system..
The apparatus goes into “lock-out”, gas flows out, but there is no flame (red light on). Fault restricted to ignition circuit..	1) Fault in ignition circuit	1) Check the ignition transformer power supply (230V) and high voltage circuit (electrode to earth or isolator broken under locking terminal)..
	2) Ignition transformer cable discharges to earth..	2) Replace.
	3) Ignition transformer cable disconnected..	3) Connect..
	4) Ignition transformer faulty.	4) Replace.
	5) The distance between electrode and earth is incorrect.	5) Position at the correct distance
	6) Isolator dirty, so electrode discharges to earth. .	6) Pulire o sostituire l’isolatore e l’elettrodo.
The apparatus goes into “lock-out”, gas flows out, but there is no flame (red light on)	1) air/gas ratio incorrect.	1) Correct the air/gas ratio (there is probably too much air or very little gas)
	2) Gas pipe has not been properly bled of air (in the case of first ignition).	2) Bleed the gas pipe again, taking great care.
	3) The gas pressure is insufficient or excessive..	3) Check the maximum gas pressure value at the time of ignition (use a water pressure gauge, if possible).
	4) Air flow between disk and head too narrow.	4) Adjust the disk/head opening..

- SP - Antes de empezar a usar el quemador lea detenidamente el folleto "ADVERTENCIAS DIRIGIDAS AL USUARIO PARA USAR CON SEGURIDAD EL QUEMADOR" que va con el manual de instrucciones y que constituye una parte integrante y esencial del producto.
- Lea atentamente las instrucciones antes de poner en funcionamiento los quemadores y efectuar las tareas de mantenimiento.
 - Los trabajos que se efectúen al quemador y a la instalación deben ser efectuados sólo por personal cualificado.
 - La alimentación eléctrica de la instalación se debe desconectar antes de iniciar los trabajos.
 - Si los trabajos no son efectuados correctamente se corre el riesgo de que se produzcan accidentes peligrosos.

Declaración de Conformidad

Declaramos bajo nuestra responsabilidad que nuestros productos identificados con el marcado "CE" Serie:

Sparkgas...; BTG...; BGN...; Minicomist...; Comist...; RiNOx...; BT...; BTL...; GI...; GI...Mist; PYR...; TS...; TBG...

Descripción:

Quemadores de aire impulsado de combustibles líquidos, gaseosos y mixtos, domésticos e industriales respetan los requisitos mínimos impuestos por las Directivas Europeas:

- **90/396/CEE (Aparatos de Gas)**
- **92/42/CEE (Requisitos de rendimiento)**
- **89/336/CEE (Compatibilidad electromagnética)**
- **73/23/CEE (Baja Tensión)**
- **98/37 CEE (Seguridad Máquinas)**

y han sido diseñados y ensayados según las Normas europeas:

- **EN 676 (gas y mixtos, lado gas)**
- **EN 267 (gasóleo y mixtos, lado gasóleo)**
- **EN 60335-1, 2003**
- **EN 50165: 1997 + A1:2001**
- **EN 55014 -1 (1994) e -2 (1997)**

Órgano de Vigilancia según la Directiva Gas 90/396/CEE:

CE0085 - DVGW

Administrador Delegado:
Dr. Riccardo Fava

ÍNDICE	PÁGINA
- Advertencias dirigidas al usuario	2
- Características técnicas	4
- Aplicación del quemador a al caldera	8
- Conexiones eléctricas	9
- Descripción del funcionamiento	10
- Cajas de mando y control para quemadores de gas	11
- Encendido y regulación con gas metano	12
- Cómo se mida la corriente de ionización	13
- Regulación del aire en la cabeza de combustión.....	14
- Reglaje levas servomotor.....	15
- Mantenimiento	16
- Preparado para sujeción de la rampa hacia arriba - Quemador de gas de dos etapas - Esquema de regulación del aire del quemador TBG 55 de una tapa	17
- Irregularidad - Causa - Solución	18
- Esquema eléctrico.....	93

ADVERTENCIAS DIRIGIDAS AL USUARIO PARA USAR EL QUEMADOR EN CONDICIONES DE SEGURIDAD PRELIMINARES

Estas advertencias tienen la finalidad de contribuir a la seguridad cuando se utilizan las partes que se usan en instalaciones de calefacción de uso civil y producción de agua caliente para uso sanitario, indicando qué hay que hacer y las medidas que hay que adoptar para evitar que sus características originarias de seguridad dejen de serlo por una eventual instalación incorrecta, un uso erróneo, impropio o inadecuado. La difusión de las advertencias suministradas en esta guía tiene la finalidad de sensibilizar al público de «consumidores» sobre los problemas de seguridad con un lenguaje necesariamente técnico pero fácilmente comprensible. Queda excluida toda responsabilidad contractual y extracontractual del fabricante por daños causados debidos a errores en la instalación, en el uso y por no haber respetado las instrucciones dadas por el fabricante en cuestión.

ADVERTENCIAS GENERALES

- El libro de instrucciones constituye una parte integrante y esencial del producto y tiene que entregarse al usuario. Hay que leer detenidamente las advertencias contenidas en el libro de instrucciones pues suministran indicaciones importantes sobre la seguridad de la instalación, el uso y el mantenimiento. Conserve con cuidado el libro para poder consultarlo en cualquier momento.
- La instalación del aparato debe realizarse respetando las normas vigentes, según las instrucciones del fabricante, y tiene que realizarla el personal cualificado profesionalmente. Por personal cualificado profesionalmente se entiende el que cuenta con una competencia técnica en el sector de la calefacción de uso civil y producción de agua caliente para uso sanitario y, en concreto, los centros de asistencia autorizados por el fabricante. Una instalación errónea pueda causar daños a personas, animales y cosas, de los que el fabricante no se hace responsable.
- Después de haber quitado todo el embalaje hay que asegurarse de que el contenido esté íntegro. En caso de dudas no utilice el aparato y diríjase al proveedor. Las partes del embalaje (jaula de madera, clavos, grapas, bolsas de plástico, poliestireno expandido, etc.) no tienen que dejarse al alcance de los niños pues son potenciales fuentes de peligro. Además, para evitar que contaminen, tienen que recogerse y depositarse en sitios destinados a dicha finalidad.
- Antes de realizar cualquier operación de limpieza o de mantenimiento hay que desconectar el aparato de la red de alimentación eléctrica mediante el interruptor de la instalación con los órganos de corte a tal efecto.
- En caso de avería y/o mal funcionamiento del aparato hay que desactivarlo, absteniéndose de realizar cualquier intento de reparación o intervención directa. Diríjase exclusivamente a personal cualificado profesionalmente. La eventual reparación de los aparatos tiene que hacerla solamente un centro de asistencia autorizado por BALTUR utilizando exclusivamente repuestos originales. Si no se respeta lo anteriormente se puede comprometer la seguridad del aparato. Para garantizar la eficacia del aparato y para que funcione correctamente es indispensable que el personal cualificado profesionalmente realice el mantenimiento periódicamente ateniéndose a las indicaciones suministradas por el fabricante.
- Si el aparato se vende o pasa a otro propietario, o si usted se muda de casa y deja el aparato, hay que asegurarse siempre de que el libro de instrucciones esté siempre con el aparato para que pueda ser consultado por el nuevo propietario y/o instalador.
- Para todos los aparatos con elementos opcionales o kits (incluidos los eléctricos) hay que utilizar solo accesorios originales.

QUEMADORES

- Este aparato está destinado solo al uso para el que ha sido expresamente previsto: aplicación a calderas, generadores de aire caliente, hornos u otras cámaras de combustión similares, situados en un lugar resguardado de agentes atmosféricos. Cualquier otro uso se considera impropio y por lo tanto peligroso.
- El quemador tiene que instalarse en un local adecuado con aberturas mínimas de ventilación, según lo que prescriben las normas vigentes, que sean suficientes para obtener una combustión perfecta.
- No hay que obstruir ni reducir la sección de las rejillas de aspiración del aire del quemador ni las aberturas de ventilación del local donde está colocado el quemador o una caldera, para evitar que se creen situaciones peligrosas como la formación de mezclas tóxicas y explosivas.
- Antes de conectar el quemador hay que asegurarse de que los datos de la placa correspondan con los de la red de alimentación (eléctrica, gas, gasóleo u otro combustible).
- No hay que tocar las partes calientes del quemador pues normalmente están cerca de la llama y del eventual sistema de precalentamiento del combustible y se calientan durante el funcionamiento, permaneciendo calientes incluso después de una parada no prolongada del quemador.
- Cuando se decida no utilizar definitivamente el quemador, hay que encargar al personal cualificado profesionalmente que realice las operaciones siguientes:
 - a) Desconectar la alimentación eléctrica quitando el cable de alimentación del interruptor general.
 - b) Cerrar la alimentación del combustible por medio de la válvula de corte y quitar los volantes de mando de su alojamiento.
 - c) Hacer que sean inocuas las partes que podrían ser potenciales fuentes de peligro.

Advertencias particulares

- Asegurarse de que quien se ha encargado de la instalación del quemador lo haya fijado firmemente al generador de calor de manera que la llama se forme dentro de la cámara de combustión del generador en cuestión.
- Antes de poner en marcha el quemador y por lo menos una vez al año, el personal cualificado profesionalmente tiene que realizar las siguientes operaciones:
 - a) Regular el caudal del combustible del quemador según la potencia que requiere el generador de calor.
 - b) Regular el caudal de aire comburente para obtener un valor de rendimiento de la combustión que sea por lo menos igual que el mínimo impuesto por las normas vigentes.
 - c) Controlar la combustión para evitar que se formen gases no quemados nocivos o contaminantes, superiores a los límites consentidos por las normas vigentes.
 - d) Comprobar que funcionen bien los dispositivos de regulación y seguridad.
 - e) Comprobar que funcione correctamente el conducto de expulsión de los productos de la combustión.
 - f) Al final de todas las regulaciones controlar que todos los sistemas de bloqueo mecánico de los dispositivos de regulación estén bien apretados.
 - g) Asegurarse de que en el local donde está la caldera estén las instrucciones de uso y mantenimiento del quemador.
- Si el quemador se para bloqueándose varias veces no hay que insistir rearmándolo manualmente; diríjase al personal cualificado profesionalmente para remediar el problema anómalo.
- El manejo y el mantenimiento tienen que hacerlos solo el personal cualificado profesionalmente, respetando las disposiciones vigentes.

ADVERTENCIAS DIRIGIDAS AL USUARIO PARA USAR EL QUEMADOR EN CONDICIONES DE SEGURIDAD PRELIMINARES

ALIMENTACIÓN ELÉCTRICA

- La seguridad eléctrica del aparato se consigue solo cuando el mismo está conectado correctamente a una buena instalación de puesta a tierra, realizado tal y como establecen las normas de seguridad vigentes. Es necesario comprobar este requisito de seguridad fundamental. En caso de dudas, pida al personal cualificado profesionalmente que haga un control detenido de la instalación eléctrica pues el fabricante no se hace responsable de los posibles daños causados por la falta de puesta a tierra de la instalación.
- Haga que el personal cualificado profesionalmente controle que la instalación eléctrica sea adecuada a la potencia máxima absorbida por el aparato, indicada en la placa, comprobando concretamente que la sección de los cables de la instalación sea idónea a la potencia absorbida por el aparato.
- Para la alimentación general del aparato de la red eléctrica no está permitido el uso de adaptadores, enchufes múltiples y/o alargaderas.
- Para la conexión a la red hay que poner un interruptor omnipolar como prevé la normativa de seguridad vigente.
- La alimentación eléctrica del quemador tiene que tener el neutro a tierra. En caso de supervisión de la corriente de ionización con el neutro no conectado a tierra es indispensable conectar entre el borne 2 (neutro) y la tierra el circuito RC.
- El uso de cualquier componente que utilice energía eléctrica comporta el respeto de algunas reglas fundamentales como:
 - no tocar el aparato con partes del cuerpo mojadas o húmedas y/o con los pies descalzos.
 - no tirar de los cables eléctricos
 - no dejar el aparato expuesto a agentes atmosféricos (lluvia, sol, etc.) de no ser que no esté expresamente previsto.
 - no permitir que el aparato lo usen niños o personas inexpertas.
- El cable de alimentación del aparato no tiene que cambiarlo el usuario. En caso de que el cable esté roto, apague el aparato y para cambiarlo, diríjase exclusivamente a personal profesionalmente cualificado.
- Si decide no utilizar el aparato durante un cierto período es oportuno apagar el interruptor eléctrico de alimentación de todos los componentes de la instalación que utilizan energía eléctrica (bombas, quemador, etc.).

ALIMENTACIÓN CON GAS, GASÓLEO U OTROS COMBUSTIBLES

Advertencias generales

- La instalación del quemador tiene que realizarla el personal profesionalmente cualificado y debe ajustarse a las normas y disposiciones vigentes, ya que una instalación errónea puede causar daños a personas, animales o cosas, de los que el fabricante no puede ser considerado responsable.
 - Antes de la instalación se aconseja hacer una buena limpieza de todos los tubos de la instalación de abastecimiento del combustible para evitar posibles residuos que podrían comprometer el buen funcionamiento del quemador.
 - La primera vez que se pone en funcionamiento el aparato, el personal cualificado profesionalmente tiene que controlar:
 - a) la estanqueidad en el tramo interior y exterior de los tubos de abastecimiento del combustible;
 - b) la regulación del caudal del combustible según la potencia requerida por el quemador;
 - c) que el quemador esté alimentado por el tipo de combustible para el que ha sido diseñado;
 - d) que la presión de alimentación del combustible esté comprendida dentro de los valores indicados en la placa del quemador;
 - e) que la instalación de alimentación del combustible esté dimensionada para el caudal necesario del quemador y que tenga todos los dispositivos de seguridad y control prescritos por las normas vigentes.
 - Si se decide no utilizar el quemador durante un cierto periodo hay que cerrar la llave o llaves de alimentación del combustible.
- #### Advertencias particulares para el uso del gas
- El personal cualificado profesionalmente tiene que controlar:
 - a) que la línea de abastecimiento de combustible y la rampa se ajusten a las normativas vigentes.
 - b) que todas las conexiones del gas sean estancas.
 - No utilizar los tubos del gas como puesta a tierra de aparatos eléctricos.
 - No dejar el aparato inútilmente conectado cuando no se utilice y cerrar siempre la llave del gas.
 - En caso de ausencia prolongada del usuario del aparato hay que cerrar la llave principal que abastece gas al quemador.
 - Si se advierte olor de gas:
 - a) no accionar los interruptores eléctricos, el teléfono ni cualquier otro objeto que pueda provocar chispas;
 - b) abrir inmediatamente puertas y ventanas para crear una corriente de aire que purifique el local;
 - c) cerrar las llaves del gas;
 - d) pedir que intervenga el personal cualificado profesionalmente.
 - No obstruir las aberturas de ventilación del local donde está instalado un aparato de gas para evitar situaciones peligrosas como la formación de mezclas tóxicas y explosivas.

CHIMENEAS PARA CALDERAS DE ALTO RENDIMIENTO Y SIMILARES

Es oportuno precisar que las calderas de alto rendimiento y similares descargan en la chimenea los productos de la combustión (humos) a una temperatura relativamente baja. En el caso arriba mencionado las chimeneas tradicionales, dimensionadas comúnmente (sección y aislamiento térmico) pueden no ser adecuadas para funcionar correctamente pues el enfriamiento que los productos de la combustión sufren al recorrer las mismas hace probablemente que la temperatura disminuya por debajo del punto de condensación. En una chimenea que trabaja con un régimen de condensación se forma hollín en la zona de salida a la atmósfera cuando se quema gasóleo o fuel-oil, o se forma agua de condensación a lo largo de la chimenea en cuestión, cuando se quema gas (metano, G.L.P., etc.). Según lo anteriormente mencionado se deduce que las chimeneas conectadas a calderas de alto rendimiento y similares tienen que estar dimensionadas (sección y aislamiento térmico) para su uso específico para evitar el inconveniente arriba descrito.

CARACTERISTICAS TECNICAS		TBG 45	TBG 45P	TBG 60	TBG 60P
POTENCIA TERMICA	MAX kW	450		600	
	MIN kW	100		120	
FONCIONAMENTO		Una etapa	Dos etapas	Una etapa	Dos etapas
ÉMISSION NOx	mg/kWh	< 80 (Classe III secondo EN 676)			
MOTOR	kW	0,50		0,75	
	r.p.m.	2730		2800	
POTENCIA ELECTRICA ABSORBIDA*	kW	0,67	0,69	0,93	0,96
fusible ligne	A / 400 V	--		4	
TRANSFORMADOR DE ENCENDIDO		26 kV - 40 mA - 230/240 V - 50/60 Hz			
VOLTAJE		1N ~ 230 V ± 10%- 50 Hz		3N ~ 400 V ±10%- 50 Hz	
GRADO DE PROTECCIÓN		IP 44			
DETECCION LLAMA		SONDA DE IONIZACION			
RUÍDO**	dBa	73		75	
PESO	kg	40		42	
Metano (G 20)					
CAUDAL	MAX m³n/h	45,3		60,3	
	MIN m³n/h	10,1		12,1	
PRESSION	MAX mbar	360			

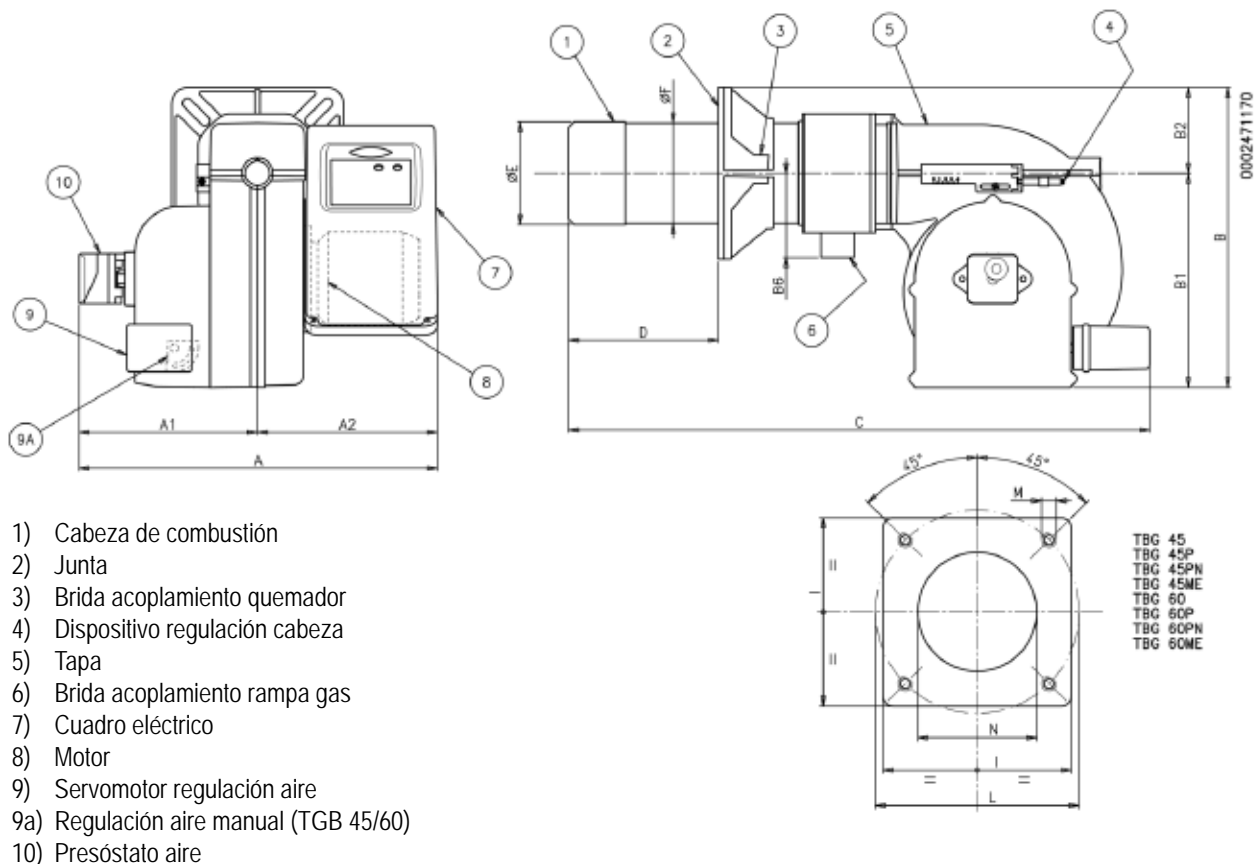
*) Consumo total, en fase de arranque, con el transformador de encendido conectado.

**) Presión sonora medida en la sala de pruebas del fabricante con el quemador en funcionamiento en una caldera de prueba, con el caudal térmico nominal máximo.

MATERIAL DE EQUIPO

	TBG 45	TBG 45P	TBG 60	TBG 60P
CONEXIÓN QUEMADOR	2	2	2	2
JUNTA	1	1	1	1
PERNO CON TOPE	N° 4 M 12	N° 4 M 12	N° 4 M 12	N° 4 M 12
TURCAS	N° 4 M 12	N° 4 M 12	N° 4 M 12	N° 4 M 12
ARANDELAS	N° 4 Ø 12	N° 4 Ø 12	N° 4 Ø 12	N° 4 Ø 12

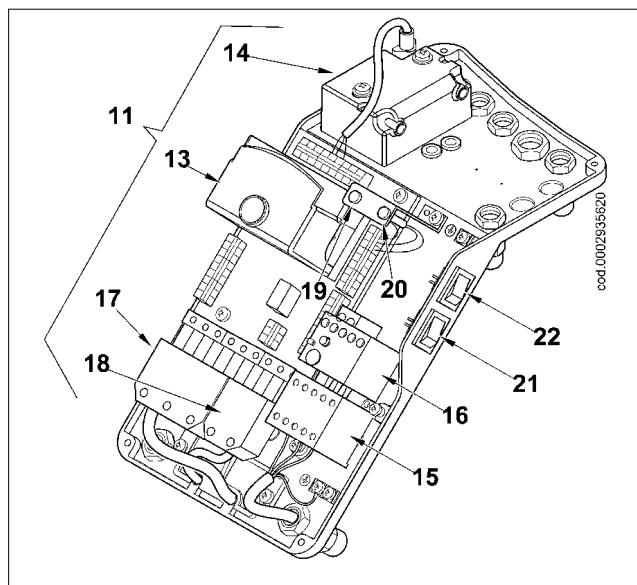
DIMENSIONES MAXIMAS



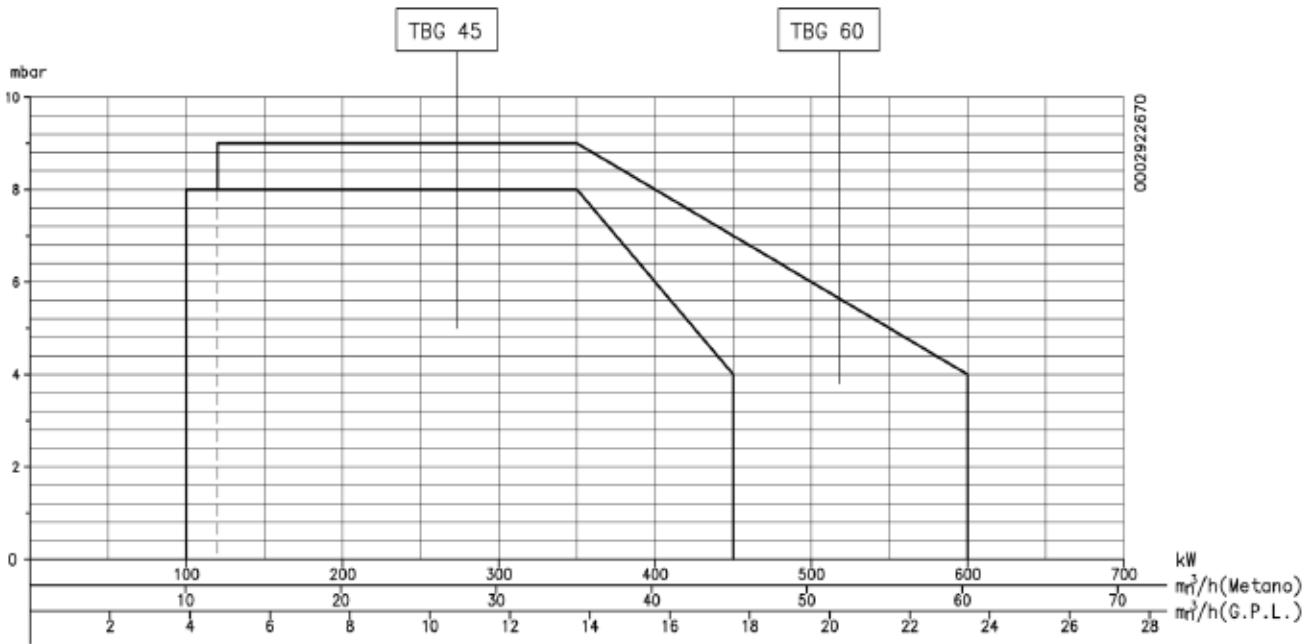
MODELO	A	A1	A2	B	B1	B6	C	D	D	E	F	I	L	L	M	N
								min	max	Ø	Ø		min	max		
TGB 45	550	270	280	435	325	160	880	140	300	137	133	215	200	245	M12	145
TGB 45P	550	270	280	435	325	160	920	140	300	137	133	215	200	245	M12	145
TGB 60	550	270	280	455	325	160	880	140	300	156	152	260	225	300	M12	160
TGB 60P	550	270	280	455	325	160	920	140	300	156	152	260	225	300	M12	160

COMPONENTES CUADRO ELECTRICO (VERSIÓN DACA)

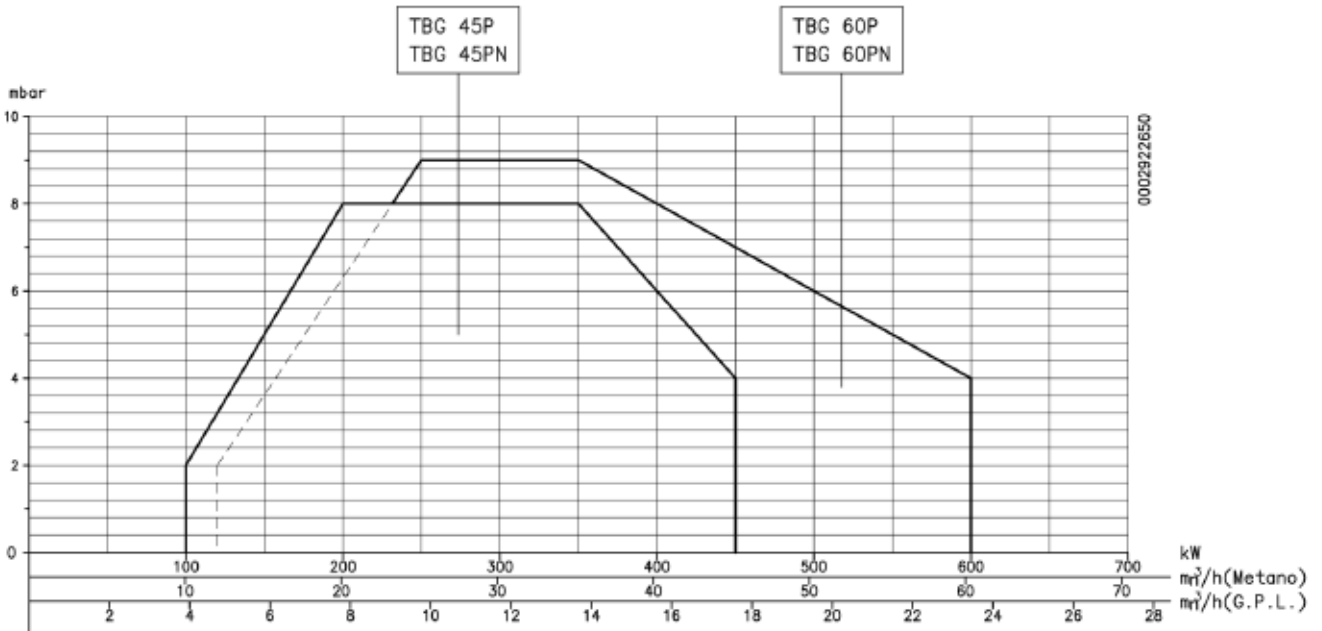
- 13) Centralita
- 14) Transformador de encendido
- 15) Contactor motor (Solo con alimentazione trifase)
- 16) Relè termico (Solo con alimentazione trifase)
- 17) Clavija 7 polos
- 18) Clavija 4 polos
- 19) Led quemador encendido
- 20) Led quemador bloqueo
- 21) Botón de desbloqueo
- 22) Interruptor



RANGO DE TRABAJO TBG 45 / 60 DE UNA ETAPA



RANGO DE TRABAJO TBG 45P / 60P DOS ETAPA



Los rangos de trabajo se han obtenido con calderas de prueba que cumplen los requisitos de la norma EN676 y son orientativos para realizar los acoplamientos entre el quemador y la caldera. Para que el quemador funcione correctamente las dimensiones de la cámara de combustión tienen que ajustarse a la normativa vigente; en caso contrario hay que consultar con los fabricantes

LINEA DI ALIMENTACIÓN

El esquema de principio de la línea de alimentación del gas está indicado en la figura de abajo. La rampa de gas está homologada según la normativa EN 676 y se entrega separadamente del quemador.

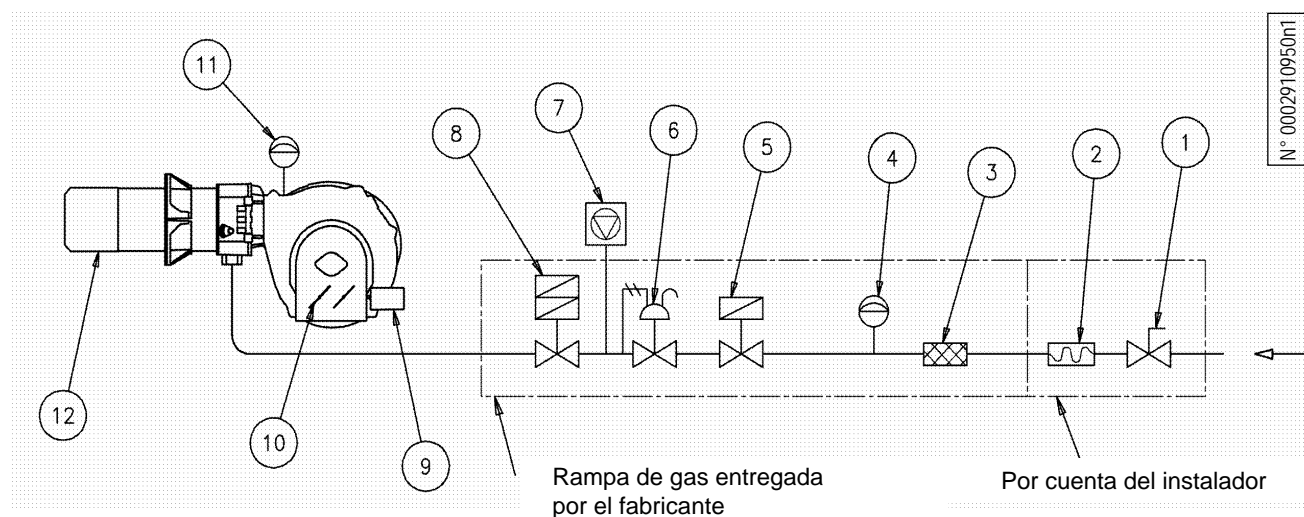
Delante de la válvula del gas hay que instalar una válvula de corte manual y un manguito antivibración, colocándolos según indica el esquema.

Si la rampa de gas lleva un regulador de presión no incorporado en una válvula monobloque, es conveniente seguir los siguientes consejos prácticos concernientes a la instalación de los accesorios en la tubería del gas cerca del quemador:

1) Para evitar fuertes caídas de presión cuando se enciende el quemador es conveniente que haya un tramo de tubería con una longitud de aproximadamente 1,5 - 2 m entre el punto donde se pone el estabilizador o reductor de presión y el quemador. Este tubo tiene que tener un diámetro igual o superior al racor de unión con el quemador.

2) Para obtener el mejor funcionamiento del regulador de presiones conveniente que éste se ponga en una tubería horizontal, después del filtro. El regulador de presión del gas tiene que regularse mientras trabaja con el máximo caudal efectivamente utilizado por el quemador. La presión a la salida tiene que regularse a un valor ligeramente inferior a la máxima obtenible, (la que se obtiene atornillando casi hasta el tope el tornillo de regulación); en este caso concreto, atornillando el tornillo de regulación la presión de salida del regulador aumenta y destornillando disminuye.

ESQUEMA DE PRINCIPIO DEL QUEMADOR DE GAS



Leyenda

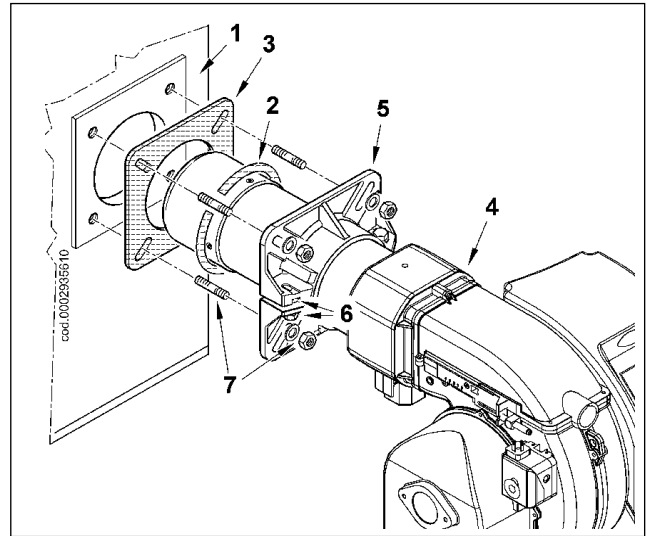
- | | |
|---|---|
| 1) Válvula de corte manual | 7) Dispositivo de control de la estanqueidad de las válvulas (obligatorio para un quemador con un caudal térmico nominal máximo superior a 1200 kW) |
| 2) Manguito antivibración | 8) Válvula de trabajo de 2 etapas |
| 3) Filtro de gas | 9) Servomotor de mando |
| 4) Presostato de presión mínima del gas | 10) Clapeta de regulación del aire |
| 5) Válvula de seguridad | 11) Presostato del aire |
| 6) Regulador de presión | 12) Cabeza de combustión |

APLICACIÓN DEL QUEMADOR A LA CALDERA

MONTAJE DEL GRUPO DE LA CABEZA

- Ajustar la posición de la brida de unión 5 aflojando los tornillos 6 de manera que la cabeza de combustión entre en la cámara de combustión la distancia aconsejada por el fabricante del generador.
- Poner en el tubo la junta aislante 3 intercalando la cuerda 2 entre la brida y la junta.
- Fijar el Grupo de la cabeza 4 en la caldera 1 con los espárragos, las arandelas y las tuercas que se entregan 7.

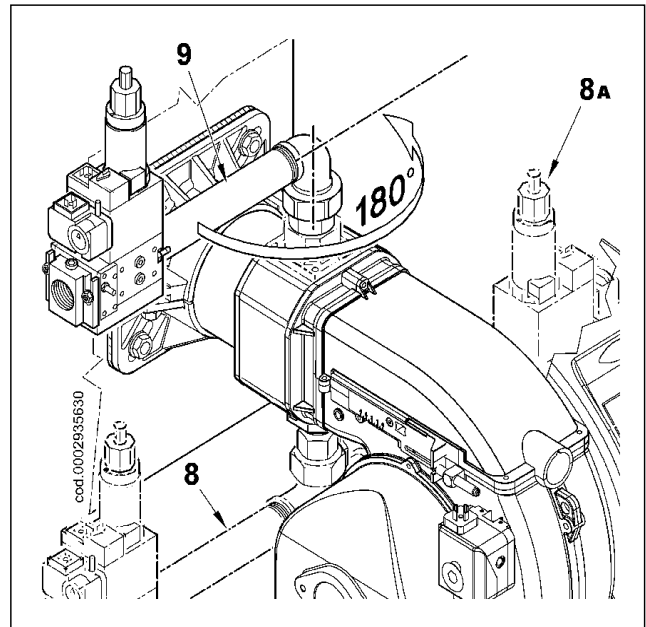
Nota: Sellar completamente con material idóneo el espacio que hay entre el soporte de las boquillas del quemador y el agujero del refractario dentro de la puerta de la caldera.



MONTAJE RAMPA DE GAS

Como se indica en la figura, la rampa de válvulas se puede montar de distintas maneras (8, 8a, 9). El quemador dispone de un sistema de sujeción para la rampa de gas vuelto hacia abajo. Si desea invertir el lado de entrada de la rampa para poder montar el grupo de válvulas según la configuración 9, siga el procedimiento que se describe en el apartado: "Preparación para conectar la rampa hacia arriba".

Seleccione la posición más adecuada según el ajuste del local de la caldera y la posición de llegada de los conductos del gas.



CONEXIONES ELÉCTRICAS

La línea de alimentación trifásica tiene que tener un interruptor con fusibles. Además, las normas requieren que haya un interruptor en la línea de alimentación del quemador, colocado fuera del local de la caldera en un lugar al que se pueda acceder con facilidad. Por lo que concierne a las conexiones eléctricas (línea y termostatos) hay que atenerse al esquema eléctrico adjunto. Para realizar la conexión del quemador a la línea de alimentación hay que seguir los pasos siguientes:

- quitar los 4 tornillos (1) de la figura 1.
De esta manera se puede acceder al cuadro eléctrico del quemador.
- Aflojar los tornillos (2) y después de haber quitado la plaquita que aprieta los cables (3), pasar las dos clavijas de 7 y 4 polos (véase la figura) por el agujero. Si se utilizara un quemador trifásico, conecte los cables de alimentación (4) al telerruptor, fije el cable de tierra (5) y apriete el porta-cables correspondiente.
- Volver a poner la plaquita sujeta cables como indica la figura 3. Girar la excéntrica (6) de manera que la plaquita ejerza una adecuada presión en los dos cables y luego apretar los tornillos que sujetan la plaquita. Por último conectar las dos clavijas de 7 y 4 polos.

NOTA IMPORTANTE:

los alojamientos de los cables para las clavijas de 7 y 4 polos están concebidos respectivamente para un cable de $\varnothing 9,5-10$ mm y $\varnothing 8,59$ mm, para asegurar el grado de protección IP 44 (Norma CEI EN60529) del cuadro eléctrico.

- Poner los 4 tornillos (1) ejercitando un par de apriete de aproximadamente 5 Nm para asegurar una correcta hermeticidad.

NOTA IMPORTANTE: la apertura del cuadro eléctrico del quemador está solo permitida al personal profesionalmente cualificado.

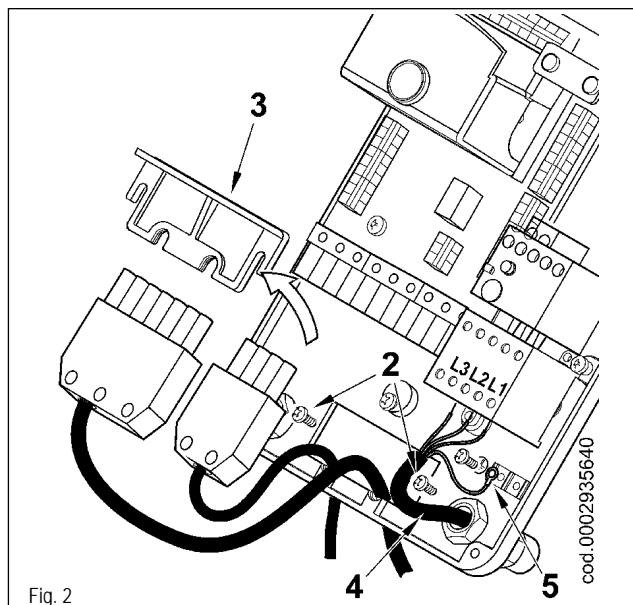


Fig. 2

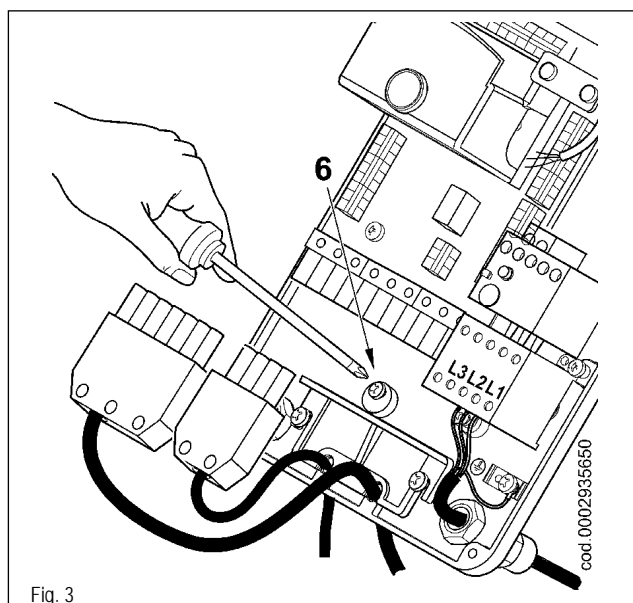


Fig. 3

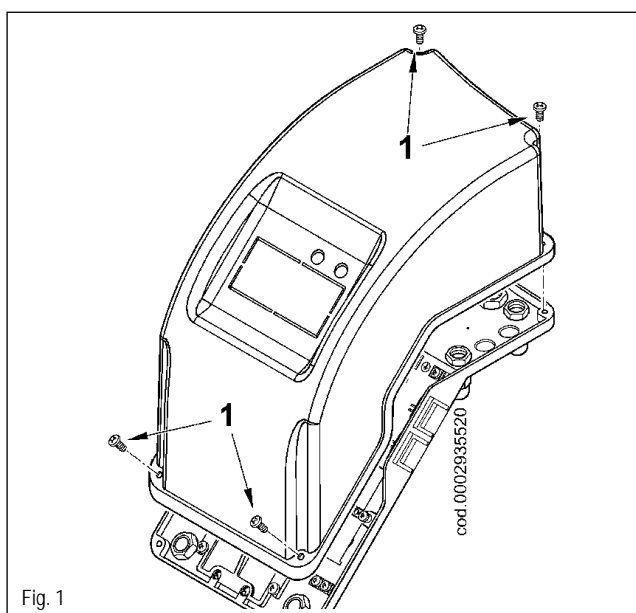


Fig. 1

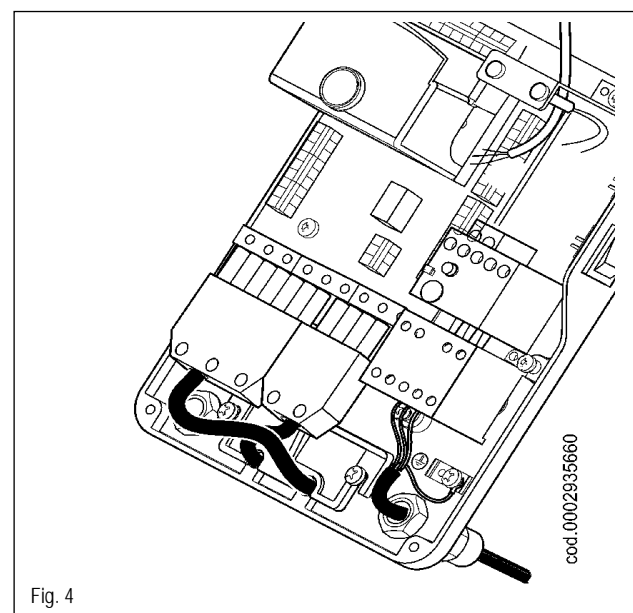


Fig. 4

DESCRIPCIÓN DEL FUNCIONAMIENTO DE TBG 45 / 60

Cuando se cierra el botón del interruptor general y el interruptor I/O (22) del cuadro eléctrico, si los termostatos están cerrados, la tensión alcanza el sistema de control, que pone en marcha el quemador (encendido del LED 19).

En este punto se introduce el motor del ventilador para llevar a cabo la preventilación de la cámara de combustión.

Al mismo tiempo, se introduce el transformador de encendido y, después de dos segundos, se abren las válvulas de gas.

La válvula principal, de dos etapas, está equipada con un dispositivo para regular el suministro de gas para la primera y la segunda llama.

La válvula de seguridad se puede colocar en posición ON/OFF.

El aire de combustión se puede regular manualmente con la válvula de aire correspondiente (consulte el apartado: "Esquema de la regulación del aire del quemador TBG 45-60 de una etapa"). Si el quemador se encuentra en versión ON/OFF, la posición de la válvula de aire se debe regular para que funcione con el máximo caudal.

La presencia de la llama, detectada por el dispositivo de control, permite proseguir y completar la fase de encendido quitando el transformador de encendido.

A continuación, se procede a encender la segunda llama (apertura de la segunda etapa de la válvula principal).

En caso de que no haya llama, el equipo se detiene en "bloqueo de seguridad" (encendido LED 20) durante tres segundos desde la apertura en la primera llama de la válvula principal. En caso de que se produzca un "bloqueo de seguridad", las válvulas se vuelven a cerrar inmediatamente. Para desbloquear el equipo de la posición de seguridad, debe pulsar el botón (21) del cuadro eléctrico.

DESCRIPCIÓN DEL FUNCIONAMIENTO DE TBG 45P - 60P

Cuando se cierra el botón del interruptor general y el interruptor I/O (22) del cuadro eléctrico, si los termostatos están cerrados, la tensión alcanza el sistema de control, que pone en marcha el quemador (encendido del LED 19).

En este punto se introduce el motor del ventilador para llevar a cabo la preventilación de la cámara de combustión. Al mismo tiempo, el servomotor de la válvula de aire se coloca en la posición de apertura correspondiente a la segunda llama y, de este modo, la fase de preventilación se inicia con la válvula de aire en posición de segunda llama.

Al terminar la fase de preventilación, la válvula de aire se vuelve a colocar en posición de primera llama y, a continuación, se introduce el transformador de encendido. Después de dos segundos, se abren las válvulas de gas.

La válvula principal, de dos etapas, está equipada con un dispositivo para regular el suministro de gas para la primera y la segunda llama.

La válvula de seguridad se puede colocar en posición ON/OFF.

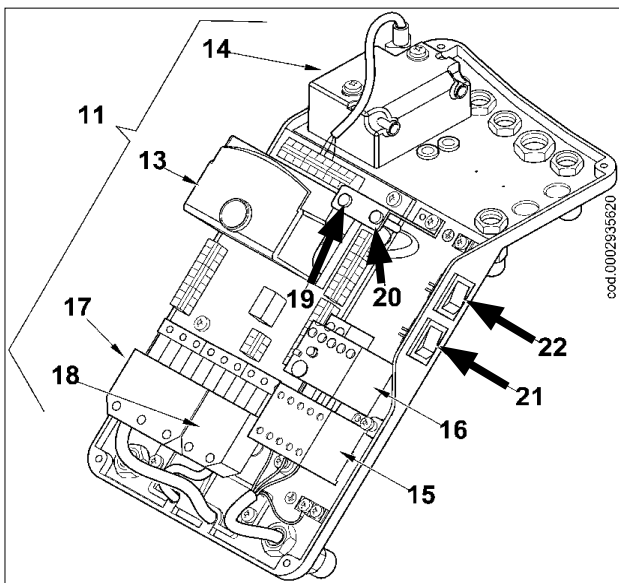
La válvula de aire se acciona con un servomotor eléctrico (consulte la ficha 0002934711). Tenga en cuenta que si el quemador se apaga a causa del termostato, el servomotor vuelve a colocar la válvula en posición de cierre.

La presencia de la llama, detectada por el dispositivo de control, permite proseguir y completar la fase de encendido quitando el transformador de encendido. A continuación, se procede a encender la segunda llama (aumento del aire de combustión y apertura de la segunda etapa de la válvula principal).

En caso de que no haya llama, el equipo se detiene en "bloqueo de seguridad" (encendido LED 20) durante tres segundos desde la apertura en la primera llama de la válvula principal.

En caso de que se produzca un "bloqueo de seguridad", las válvulas se vuelven a cerrar inmediatamente.

Para desbloquear el equipo de la posición de seguridad, debe pulsar el botón (21) del cuadro eléctrico.



Centralita o programador	Tiempo de seguridad	Tiempo de prebarrido	Pre-encendido	Post-encendido	Tiempo entre apertura válvula 1ª llama e válvula 2ª fiamma	Tiempo de carrera apertura serranda	Tiempo de carrera cierre serranda
	s	s	s	s	s	s	s
LME 22.331A2	3	30	2	2	11	12	12
LME 22.233A2	3	30	2	2	11	30	30

CAJAS DE MANDO Y CONTROL PARA QUEMADORES DE GAS GAS LME 22...

Indicación del estado operativo

Durante la puesta en marcha, la indicación del estado tiene lugar según la tabla siguiente:

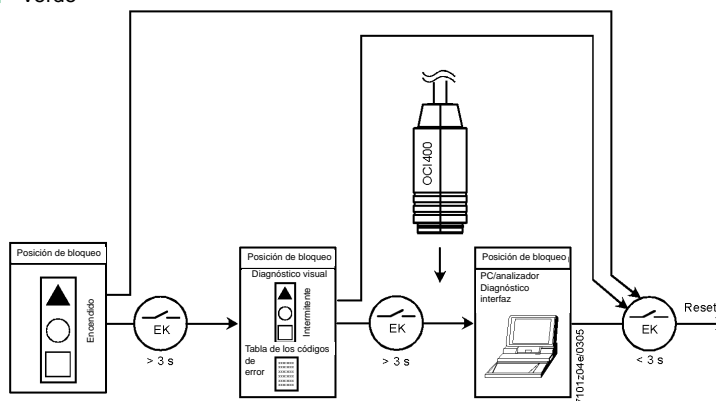
Estado	Código color	Color
Tiempo de espera "tw", otros estados de espera	○.....	Apagado
Fase de encendido, encendido controlado	● ○ ● ○ ● ○ ● ○ ● ○	Amarillo intermitente
Funcionamiento, llama OK	○.....	Verde
Funcionamiento, llama no OK	■ ○ ■ ○ ■ ○ ■ ○ ■ ○	Verde intermitente
Luz extraña cuando se enciende el quemador	■ p ■ p ■ p ■ p ■ p	Verde-rojo
Poca tensión	● p ● p ● p ● p ● p	Amarillo-rojo
Avería, alarma	p.....	Rojo
Generación código error (véase la "Tabla de códigos de error")	p ○ p ○ p ○ p ○	Rojo intermitente
Diagnóstico interfaz	p p p p p p p p	Luz roja centelleante

Leyenda
 Encendido fijo
 ○ Apagado
 p Rojo
 ● Amarillo
 ■ Verde

Funcionamiento, indicación, diagnóstico (sigue de la página anterior)

Diagnóstico de la causa del defecto

Después del bloqueo, el indicador de avería se queda encendido fijo. En esta condición, se puede activar el diagnóstico visual de la causa de la avería pulsando durante más de 3 segundos el botón de desbloqueo. Pulsando otra vez el botón de desbloqueo por lo menos durante 3 segundos, se activa el diagnóstico interfaz.



Código intermitencia roja del indicador (LED)	"AL" en el terminal 10	Causa posible
2 parpadeos ● ●	Encendido	Encendido No hay presencia de llama al final del "TSA" (tiempo de seguridad cuando se pone en marcha) - Válvulas del combustible defectuosas o sucias - Regulación incorrecta del quemador, ausencia de combustible - Dispositivo de encendido defectuoso
3 x parpadeos ● ● ●	Encendido	Encendido "LP" (presostato aire) defectuoso - No hay señal de presión del aire o es incorrecta después de que termina "t10" - "LP" contacto del presostato encolado en posición normal
4 parpadeos ● ● ● ●	Encendido	Encendido Luz extraña cuando se pone en marcha el quemador
5 parpadeos ● ● ● ● ●	Encendido	Encendido Time-out "LP" "LP" contacto del presostato encolado en posición operativa
6 parpadeos ● ● ● ● ● ●	Encendido	Encendido Non utilizado
7 parpadeos ● ● ● ● ● ● ●	Encendido	Encendido Demasiadas pérdidas de llama durante el funcionamiento (limitación de repeticiones) - Válvulas del combustible defectuosas o sucias - Sensor de llama defectuoso o sucio - Regulación incorrecta del quemador
8 x parpadeos ● ● ● ● ● ● ● ●	Encendido	Encendido Non utilizado
9 parpadeos ● ● ● ● ● ● ● ● ●	Encendido	Encendido Non utilizado
10 parpadeos ● ● ● ● ● ● ● ● ● ●	Apagado	Error de conexiones eléctricas o error interno, contactos de salida, otras averías

Durante el periodo de diagnóstico de la causa que provoca el defecto las salidas de control están desactivadas

- El quemador se queda apagado
- La indicación de la avería externa queda desactivada
- Señal de estado de avería "AL" al terminal 10, según la tabla de códigos de error

Para salir del diagnóstico de la causa del defecto y volver a encender el quemador hay que resetear el mando del quemador. Pulsar el botón de desbloqueo aproximadamente 1 segundo (< 3 segundos).

E S P A Ñ O L

ENCENDIDO Y REGULACIÓN CON GAS METANO

- 1) Controlar que haya agua en la caldera y que las llaves de la instalación estén abiertas.
- 2) Controlar con total certeza que la descarga de los productos de combustión tenga lugar libremente (clapetas de la caldera y de la chimenea abiertas).
- 3) Compruebe que la tensión de la línea eléctrica a la que hay que conectarse se corresponda con la que requiere el quemador y que las conexiones eléctricas (motor y línea principal) sean adecuadas para el valor de tensión disponible. Compruebe que todas las conexiones eléctricas, realizadas en el lugar de la instalación, se hayan realizado correctamente como indica el plano eléctrico. Evite el funcionamiento de la segunda llama. Para ello, desconecte el conector de cuatro polos (18) del cuadro eléctrico (0002935620) para los quemadores TBG 45P-60P; Con los modelos TBG 45 60, desconecte el cable del terminal 5 de la interfase de terminal en el circuito impreso que alimenta la bobina Y2.
- 4) Regule el aire para la llama de encendido: para los quemadores TBG 45P - 60P que llevan servomotor eléctrico, siga las instrucciones específicas de regulación que se indican en la ficha 0002934711; para los quemadores TBG 45 - 60 con regulación manual, regule el aire para la segunda llama siguiendo las instrucciones del apartado "Esquema de la regulación del aire del quemador TBG 45-60 de una etapa".
- 5) Maniobrando debidamente el dispositivo de regulación de la válvula de gas abrir el regulador de caudal de la primera llama la cantidad que se considere necesaria (véanse las instrucciones de la válvula de gas de dos etapas del modelo instalado en el quemador). Obviamente, si lo hubiera, hay que abrir completamente el regulador de caudal de la válvula de seguridad.
- 6) Si el quemador es trifásico, con el interruptor I/O (22) del cuadro del quemador (véase 0002935620) en posición "0" y con el interruptor general conectado, cerrando manualmente el teleruptor, comprobar que el motor gire en el sentido correcto, y si fuera necesario, invertir los dos cables de la línea que alimenta el motor para cambiar el sentido de rotación.
- 7) Ahora conectar el interruptor (22) del cuadro de mandos (véase 0002935620). La centralita de mando recibe así tensión y el programador hace que se encienda el quemador como se describe en el capítulo "descripción del funcionamiento". Durante la fase de prebarrido hay que asegurarse de que el presostato de control de la presión del aire hace el intercambio (de la posición de cerrado sin detectar presión, tiene que pasar a la posición de cerrado detectando la presión del aire). Si el presostato del aire no detecta la presión suficiente (no efectúa el intercambio) no se conecta el transformador de encendido y tampoco las válvulas del gas, por lo tanto la centralita se para "bloqueándose". Cuando se enciende el quemador por primera vez pueden ocurrir "bloqueos" sucesivos debidos a:
 - a) No se ha purgado bastante el aire de la tubería del gas por lo tanto la cantidad de gas es insuficiente para que se forme una llama estable.

- b) El "bloqueo" con presencia de llama puede ser causado por la inestabilidad de la misma en la zona de ionización, por una relación aire/gas incorrecta. Esto se remedia variando la cantidad de aire y/o gas suministrados hasta que se encuentre la relación idónea. El mismo inconveniente puede ocurrir por una incorrecta distribución del aire/gas en la cabeza de combustión. Esto se remedia actuando con el dispositivo de regulación de la cabeza de combustión cerrando o abriendo más el paso del aire entre la cabeza y el difusor del gas.
- c) Puede ocurrir que la corriente de ionización esté influenciada por la corriente de descarga del transformador de encendido (las dos corrientes tienen un recorrido en común en la "masa" del quemador) por lo tanto el quemador se bloquea por una ionización insuficiente. Esto se remedia invirtiendo la alimentación (lado 230V) del transformador de encendido (se invierten los dos hilos que conducen la tensión al transformador). Dicho inconveniente también puede ser causado por una "puesta a tierra" insuficiente de la carcasa del quemador.
- 8) Con el quemador encendido al mínimo hay que comprobar enseguida visualmente la consistencia y el aspecto de la llama haciendo los ajustes necesarios mediante los reguladores del suministro del gas y del aire (véanse los puntos 4 y 5). Luego se controla la cantidad de gas suministrada leyendo el valor en el contador.

Si es necesario, se corrige el suministro de gas y del aire de combustión operando como se ha descrito precedentemente (punto 4 y 5). Luego se controla la combustión con los instrumentos a tal efecto. Para obtener una correcta relación aire/gas tiene que haber un valor de anhídrido carbónico (CO₂) para el metano que sea por lo menos del 8 % o de O₂ = 6% con el suministro mínimo de combustible del quemador hasta un valor óptimo del 10 % o O₂ = 3% para el suministro máximo del combustible.

Es indispensable controlar con el instrumento apropiado que el porcentaje de óxido de carbono (CO) presente en los humos no supere el valor establecido por la normativa vigente en el momento de la instalación.

- 9) Comprobar varias veces que el suministro de combustible de la primera llama llegue correctamente después de haber regulado el funcionamiento con la primera llama, apagar el quemador, abrir el interruptor general y cerrar el circuito eléctrico que gobierna la activación de la segunda llama, vuelva a introducir el conector de cuatro polos que ha desconectado anteriormente de los quemadores TBG 45P-60P; vuelva a conectar el cable al terminal 5 de la interfase de terminal en el circuito impreso que alimenta la bobina Y2 de los quemadores TBG 45-60.
- 10) Abrir la cantidad que sea necesaria el regulador manual de caudal del gas para la segunda llama (llama principal).
- 11) Activar ahora otra vez el quemador cerrando el interruptor general y el del cuadro de mando. El quemador se enciende y automáticamente, activa la segunda llama (llama principal). Controlar enseguida visualmente la consistencia y el aspecto de la llama y si fuera necesario hacer los ajustes oportunos mediante los reguladores del suministro del gas y del aire como

indican los puntos 4 y 5.

- 12) Actuar adecuadamente con el regulador del caudal para la segunda llama para ajustarla al caso específico. Hay que evitar mantener en funcionamiento el quemador si el caudal es superior al máximo admitido para la caldera, para evitar posibles daños a la misma, por lo tanto es conveniente parar el quemador nada más haber leído el contador.
- 13) Sucesivamente, con el quemador al máximo del caudal requerido por la caldera se controla la combustión con los instrumentos a tal efecto y se modifica, si fuera necesario, la regulación hecha antes (aire y eventualmente gas) solo controlando visualmente (CO_2 máx. = 10 % O_2 mín. = 3% - CO máx. = 0,1 %).
- 14) El presostato del aire tiene la finalidad de impedir que se abran las válvulas del gas si la presión no es la prevista. Por lo tanto el presostato tiene que regularse para que intervenga cerrando el contacto cuando la presión del aire en el quemador alcanza el valor suficiente. El circuito de conexión del presostato realiza un autocontrol, así pues, es necesario que el contacto eléctrico que tiene que cerrarse con el ventilador parado (con ausencia de presión del aire en el quemador), realice efectivamente esta condición. Si el presostato del aire no detecta una presión superior a la que ha sido tarado, la centralita de control realiza su ciclo pero no se activa el transformador de encendido y no se abren las válvulas del gas, por consiguiente el quemador se para "bloqueándose". Para asegurarse del correcto funcionamiento del presostato del aire, con el quemador encendido solo con la primera llama, hay que aumentar el valor de regulación hasta comprobar que ha intervenido; después el quemador se tiene que parar "bloqueándose". Desbloquear el quemador pulsando el botón a tal efecto y volver regular el presostato a un valor suficiente para que detecte la presión del aire existente durante la fase de prebarrido.
- 15) El presostato de control de la presión del gas (mínima) sirve para impedir el funcionamiento del quemador cuando la presión del gas no es la prevista. Según la función específica de los presostatos resulta evidente que el presostato de control de la presión mínima tiene que utilizar el contacto que está cerrado cuando el presostato detecta una presión superior a la que se ha regulado. Por lo tanto La regulación del presostato de mínima presión del gas hay que hacerla cuando se pone en funcionamiento el quemador según la presión que hay cada vez. Hay que precisar que la activación (entendida como apertura del circuito) de uno de los presostatos cuando el quemador está en funcionamiento (llama encendida) hace que se pare inmediatamente el quemador. Cuando se enciende por primera vez el quemador es indispensable controlar que el presostato funcione correctamente.
- 16) Controlar que actúa el detector de llama (electrodo de ionización) desconectando el puente entre los bornes 30 y 31 del circuito impreso y activando el quemador. La centralita tiene que seguir completamente su ciclo y, después de tres segundos desde que se ha formado la llama de encendido, pararse "bloqueándose". Hay que hacer también este control con el quemador ya encendido. Desconectando el puente 30 y 31, la centralita tiene que bloquearse inmediatamente.
- 17) Controlar que funcionen bien los termostatos o preso-

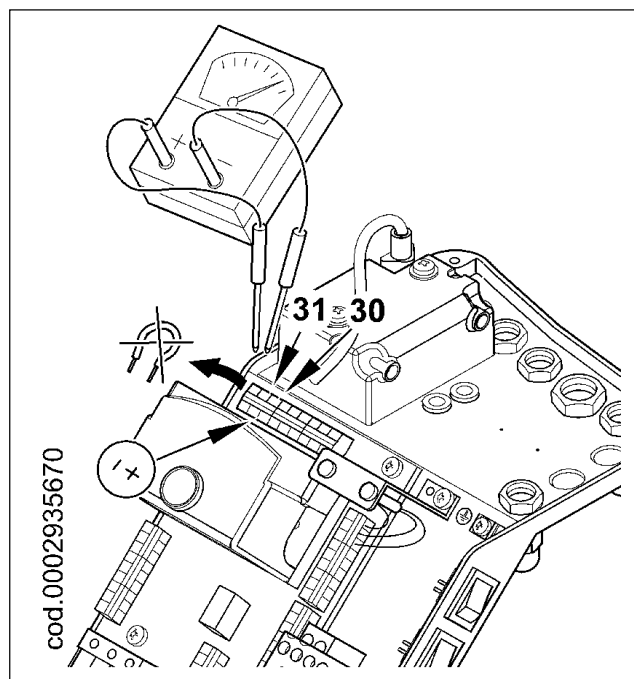
statos de la caldera (su intervención tiene que provocar la parada del quemador).

Nota: controle que se encienda con normalidad porque si el regulador se ha desplazado hacia adelante puede que la velocidad del aire que sale sea tan alta que haga que sea difícil el encendido. En este caso hay que desplazar el regulador hacia detrás, por grados, hasta que alcance una posición en la que el encendido tenga lugar con regularidad y tomar esta posición como definitiva.

Le recordamos de nuevo que, para la llama pequeña, es preferible limitar la cantidad de aire lo mínimo indispensable para obtener un encendido seguro incluso en los casos más difíciles.

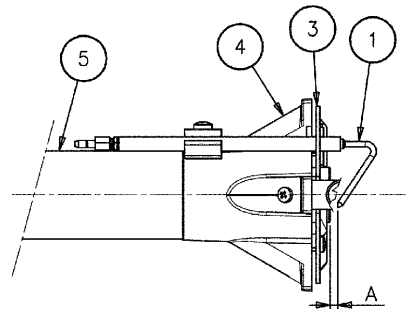
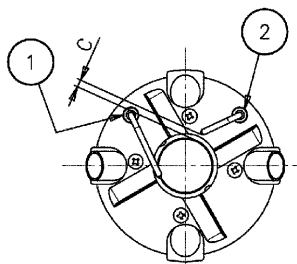
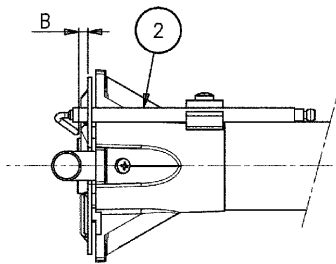
CÓMO SE MIDE LA CORRIENTE DE IONIZACIÓN

Para medir la corriente de ionización hay que quitar el puente de los bornes 30-31 del circuito impreso con el quemador apagado (véase el plano de al lado). Conectar a los mismos bornes los terminales de un microamperímetro de escala adecuada y volver a poner en marcha el quemador. Cuando aparece la llama, ya se puede medir el valor de la corriente de ionización, cuyo valor mínimo para asegurar el funcionamiento de la centralita está indicado en el esquema eléctrico específico. Cuando se termina de medir, volver a poner el puente que se había desconectado antes

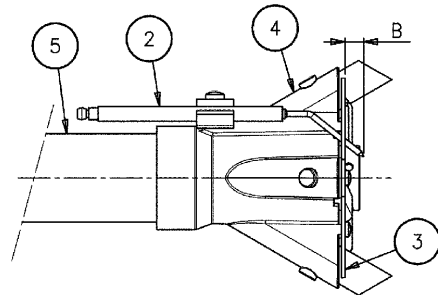
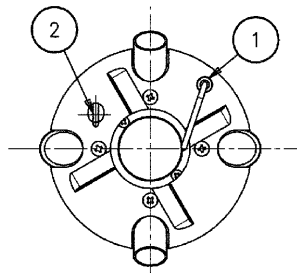
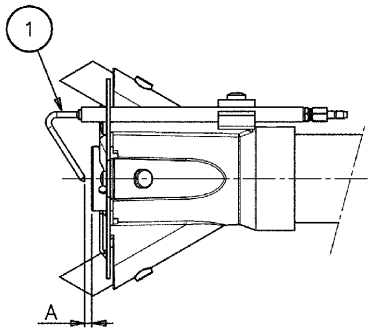


ESQUEMA DE REGULACIÓN DE LOS ELECTRODOS/SONDA DE IONIZACIÓN

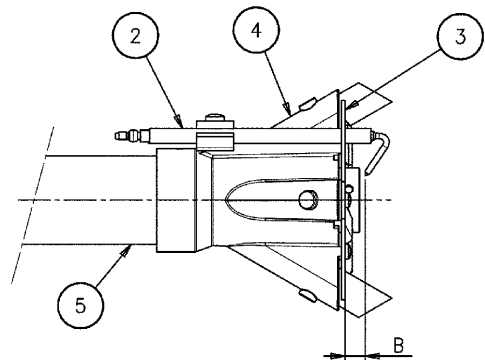
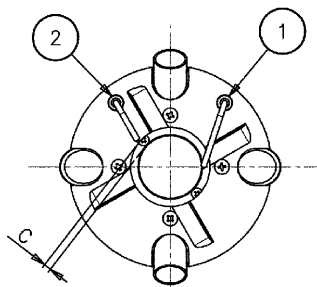
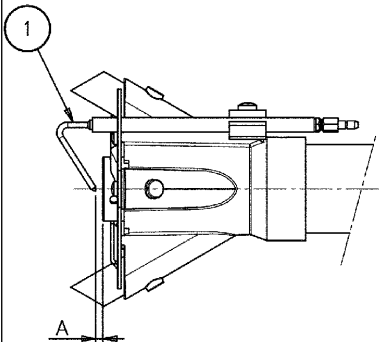
0002935680



TBG 45, TBG 45P, TBG 45PN, TBG 45ME



TBG 60P, TBG 60PN, TBG 60ME



TBG 60

Legenda:

- 1- Electrodo de ionización
- 2- Electrodo de encendido
- 3- Disco llama
- 4- Mezclador
- 5- Tubo ida gas

Mod.	A	B	C
TBG 45 - 45P	4	5	4
TBG 60P	4	10	-
TBG 60	4	11	4

REGULACIÓN DEL AIRE EN LA CABEZA DE COMBUSTIÓN

La cabeza de combustión lleva un dispositivo de regulación para abrir o cerrar el paso del aire entre el disco y la cabeza. De esta manera se consigue obtener, cerrando el paso, una presión delante del disco muy elevada incluso con bajos caudales. La elevada velocidad y turbulencia del aire hace que entre mejor en el combustible por lo tanto, una óptima mezcla y estabilidad de la llama. Puede ser indispensable tener una elevada presión del aire antes del disco para evitar pulsaciones de llama; esta condición es indispensable cuando el quemador trabaja en una cámara de combustión presurizada y/o con alta carga térmica. Atendiendo a lo que se ha descrito con anterioridad, es evidente que el dispositivo que cierra el aire en la cabeza de combustión

tiene que ponerse en una posición tal que permita obtener siempre detrás del disco un valor elevado de la presión del aire. Se aconseja hacer una regulación de manera que el cierre del aire en la cabeza sea tal que requiera una sensible apertura de la clapeta del aire que regula el flujo en la aspiración del ventilador del quemador; obviamente esta condición hay que controlarla cuando el quemador trabaja con el máximo caudal deseado. Digamos que hay que iniciar la regulación con el dispositivo que cierra el aire en la cabeza de combustión en una posición intermedia, encendiendo el quemador para una regulación orientativa como hemos expuesto precedentemente. Cuando se obtiene el suministro máximo deseado hay que corregir la posición del dispositivo que cierra el aire en la cabeza de combustión, desplazando hacia adelante o hacia detrás, para obtener un flujo de aire adecuado al suministro, con la clapeta del aire en la aspiración un poco abierta.

ESPAÑOL

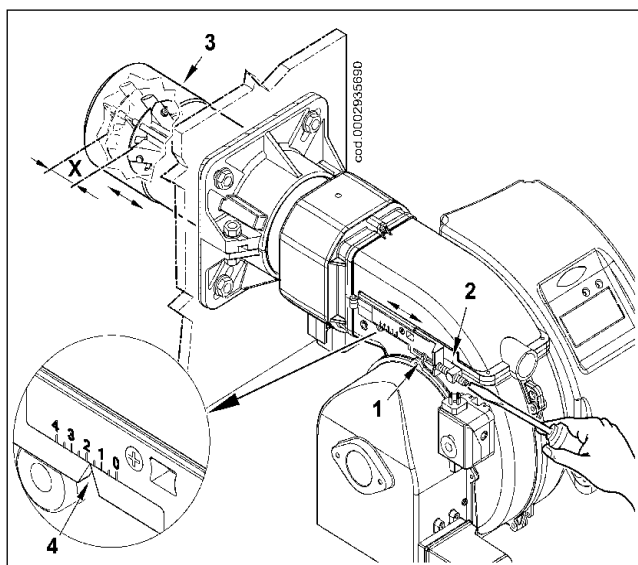
QUEMADOR	X	Valor indicado por la referencia 4
TBG 45 / 45P	3 ÷ 31	0 ÷ 3,2
TBG 60 / 60P	6 ÷ 34	0 ÷ 3,2

X= Distancia entre cabeza-disco; regular la distancia X siguiendo las indicaciones siguientes:

- aflojar el tornillo 1
- actuar con el tornillo 2 para poner la cabeza de combustión 3 según la referencia 4.
- regular la distancia X entre el valor mínimo y máximo según lo indicado en la tabla.

Nota: las regulaciones arriba indicadas son solo orientativas; poner la cabeza de combustión según las características de la cámara de combustión

ESQUEMA DE REGULACIÓN DE LA CABEZA

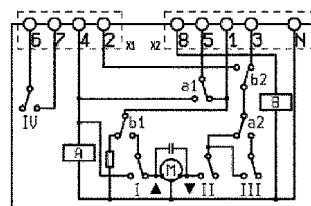
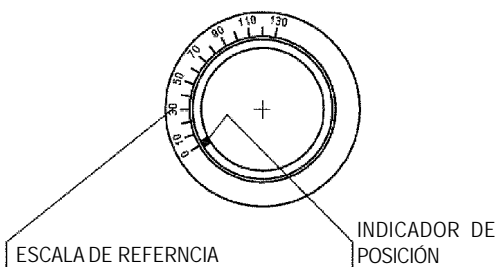
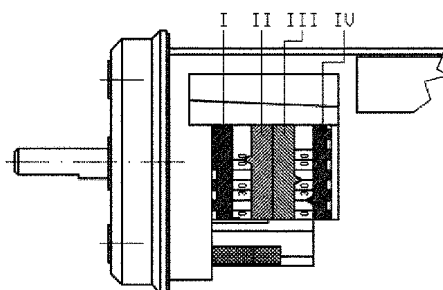
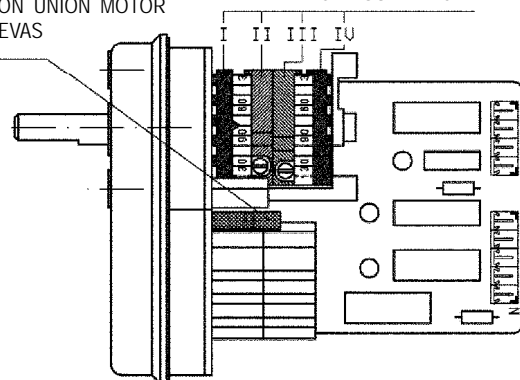


REGLAJE LEVAS SERVOMOTOR SQN72.XA4A20 PER TBG ...P

0002934711

PALANCA DE INSERCIÓN Y EXCLUSIÓN UNION MOTOR
EJE DE LEVAS

LEVAS REGULABLES



SQN72.2A4A20BT
SQN72.6A4A20BT

- I LEVA DE REGULACION AIRE 2° LLAMA (80°)
- II CIERRE TOTAL AIRE (QUEMADOR DETENIDO) (0°)
- III LEVAS DE REGULACION AIRE 1° LLAMA (20°)
- IV LEVAS DE REGULACION AIRE 2° LLAMA (40°)

PARA MODIFICAR LA REGULACION DE LAS LEVAS UTILIZADAS, SE OPERA CON LOS RESPECTIVOS ANILLOS (I - II - III - IV) EL INDICE DEL ANILLO INDICA EN LA RESPECTIVA ESCALA DE REFERENCIA EL ANGULO DE ROTACION PREDISPUESTO PARA CADA LEVA.

MANTENIMIENTO

Hacer periódicamente el análisis de los gases de descarga de la combustión controlando que los valores de las emisiones sean correctos.

Cambiar periódicamente el filtro del gas cuando está sucio. Verificar que todas las partes de la cabeza de combustión estén en buen estado, no deformadas por la temperatura y sin impurezas o depósitos que deriven del ambiente donde está la instalación o por una mala combustión; controlar que los electrodos funcionan bien.

Si fuera necesario limpiar la cabeza de combustión, extraer sus partes siguiendo los pasos indicados a continuación:

- 1) Desatornille los tornillos 1 y retire la tapa 2 (figura 1).
- 2) Asegúrese de que el tornillo 4 bloquee la placa móvil 3. Esto permitirá, cuando finalicen las operaciones de mantenimiento, volver a colocar el grupo de mezcla en la misma posición en la que se había regulado con anterioridad. Desatornille el tornillo 5 que fija el brazo de avance del grupo a la placa móvil (figura 2).
- 3) Desatornille totalmente la tuerca (6) y apriete el tornillo (7), haciéndolo avanzar hacia el interior de un tramo suficiente del conducto de envío de gas (8) para garantizar el desmontaje posterior del grupo de mezcla. Levantar ligeramente el conducto de envío de gas (8) de su lugar (figura 3).
- 4) Extraer completamente el grupo de mezcla en la dirección que indica la flecha 9, después de soltar los cables de encendido e ionización 10 de los electrodos correspondientes (figura 4).

Una vez terminadas las operaciones de mantenimiento, proceda a montar el cabezal de combustión, deshaciendo los pasos que se indican más arriba, después de haber verificado que la posición de los electrodos de encendido y de ionización es la correcta (consulte la ficha 0002935680).

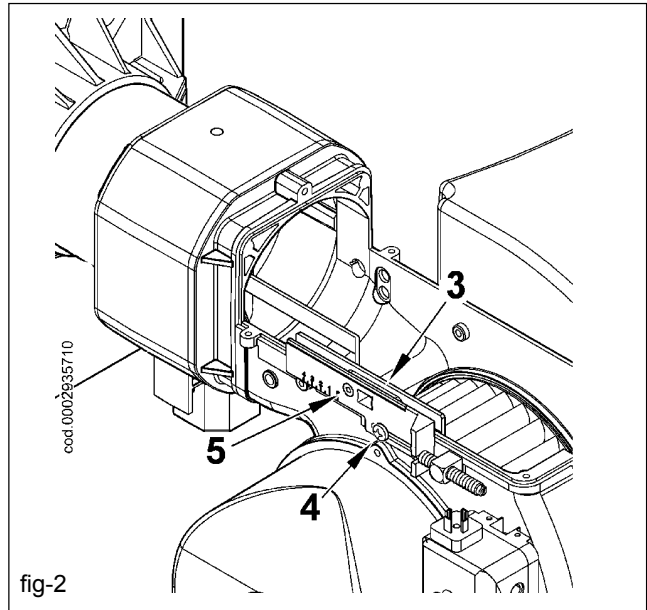


fig-2

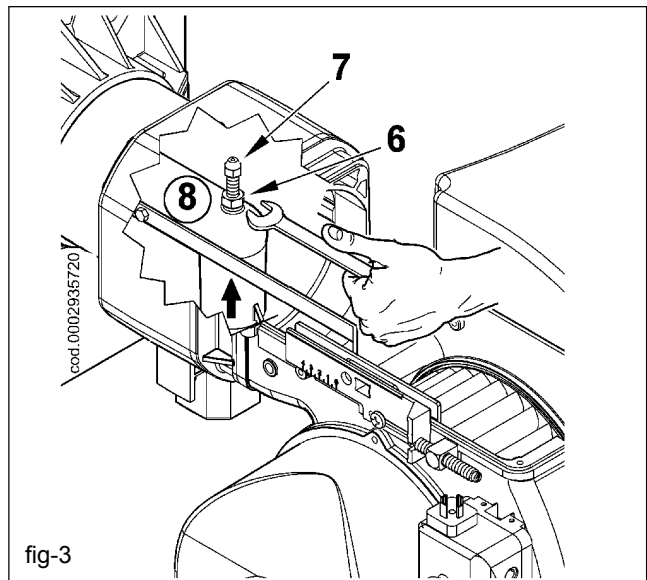


fig-3

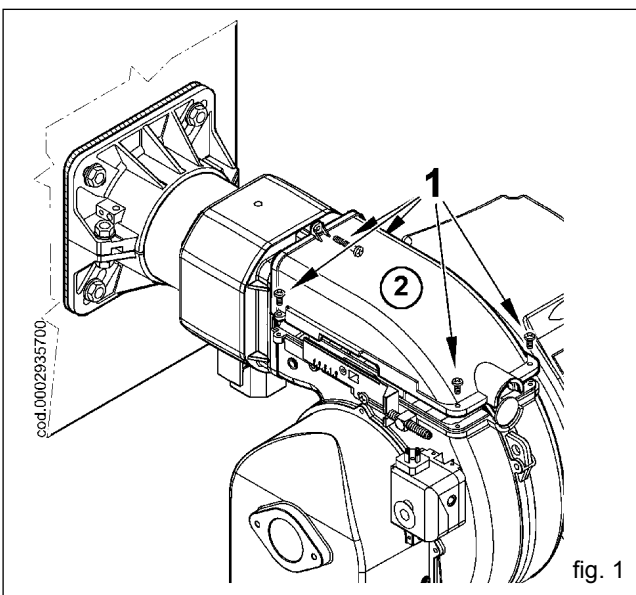


fig. 1

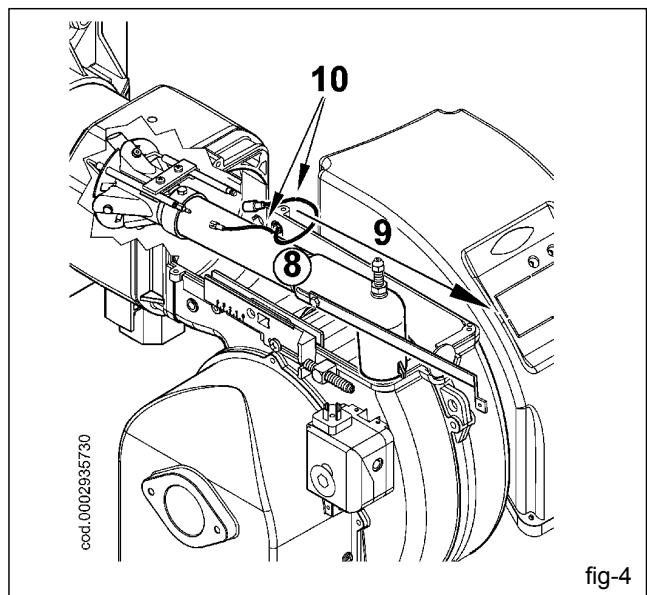


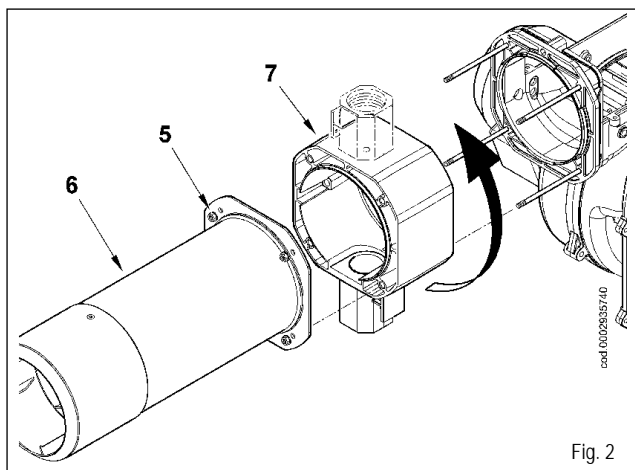
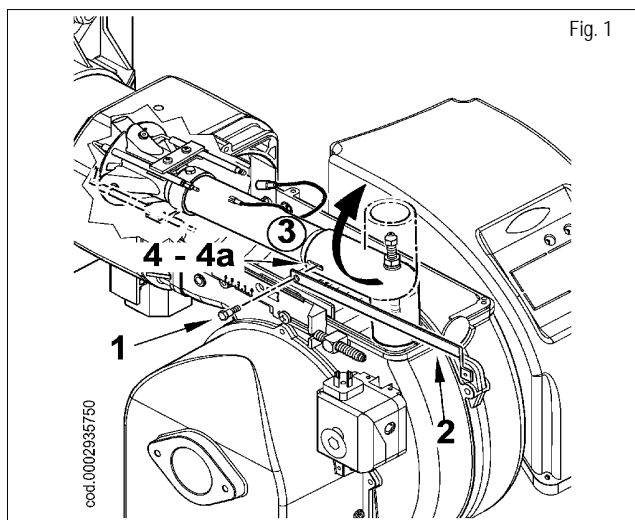
fig-4

PREPARADO PARA LA SUJECIÓN DE LA RAMPA HACIA ARRIBA

Para levantar el lado de entrada a la rampa, siga el procedimiento que se indica a continuación antes de conectar el quemador a la caldera.

- 1) Siga las instrucciones que se incluyen en el apartado "Mantenimiento" para extraer el grupo de mezcla y quitar el tornillo (1) que conecta el brazo de avance (2) del grupo con el conducto de envío de gas (3) mediante la tuerca (4) del codo en ele (figura 1).
- 2) Gire el codo en ele 180° para que el orificio del tubo de impulsión del gas coincida con la tuerca (4a) en posición diametralmente opuesta en el mismo codo. Vuelva a conectar el brazo de avance (2) y el conducto de impulsión de gas (3) con el tornillo (1) como aparece en la figura 1.
- 3) A continuación, extraiga las cuatro tuercas (5), como se indica en la figura 2, desmonte el tubo de llama (6) y, después de haber desengranado la cámara de expansión (7) de los prisioneros, vuélvalo a colocar con la brida de sujeción roscada para fijar la rampa de gas hacia arriba.
- 4) Para completar la operación, fije el tubo de llama (6) y la cámara de expansión (7) con las cuatro tuercas (5) y vuelva a colocar el grupo de mezcla en su sitio.

En este momento se puede instalar el quemador en la caldera con la rampa de válvulas colocada según se indica en la configuración 9 del apartado "Montaje de la rampa de gas".



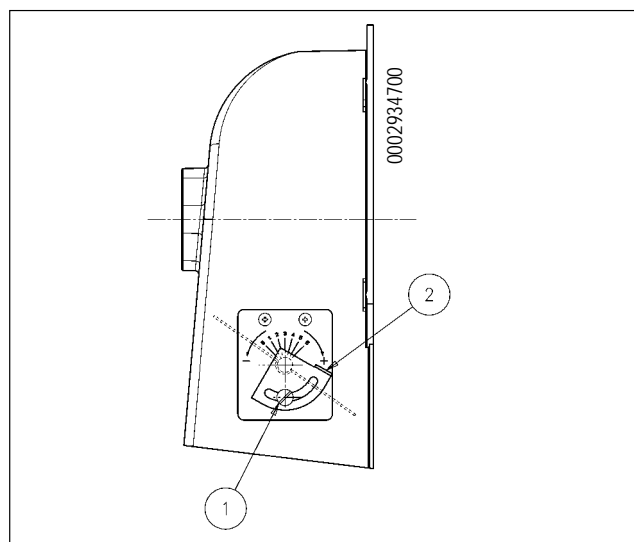
QUEMADOR DE GAS DE DOS ETAPAS

Normalmente, para el funcionamiento con dos llamas efectivas, no se aconseja conectar un quemador que trabaje con una caldera para la producción de agua para uso como calefacción. En este caso el quemador puede trabajar también por largos periodos de tiempo con una sola llama. La caldera resulta insuficientemente cargada y, por consiguiente, de los humos salen a una temperatura excesivamente baja (inferior al punto de rocío) formando agua de condensación en la chimenea. Cuando el quemador de dos llamas está instalado en una caldera que produce agua para uso como calefacción tiene que conectarse de manera que trabaje a un régimen normal, con ambas llamas parándose completamente, sin que pase a la primera llama, cuando la temperatura preestablecida. Para obtener este funcionamiento particular no se instala el termostato de la segunda llama y entre los respectivos bornes de la centralita se hace una conexión directa (puente).

ESQUEMA DE REGULACIÓN DEL AIRE DEL QUEMADOR TBG 55 DE UNA ETAPA

Para regular el ángulo de apertura de la clapeta del aire, aflojar el tornillo (1) y mover el volante (2) poniendo la referencia en la posición deseada. Sucesivamente apretar el tornillo para fijar la clapeta.

- Posición 0: clapeta del aire toda cerrada.
- Posición 6: clapeta del aire toda abierta..



INSTRUCCIONES PARA AVERIGUAR LAS CAUSAS DE IRREGULARIDAD EN EL FUNCIONAMIENTO DE LOS QUEMADORES DE GAS DE DOS ETAPAS Y SU ELIMINACIÓN

IRREGULARIDAD	CAUSA POSIBLE	SOLUCIÓN
<p>aparato se bloquea con llama (lámpara testigo roja encendida). Avería relacionada con el dispositivo de control de llama. El aparato se bloquea, sale el gas, pero no hay llama (lámpara testigo roja encendida). Avería relacionada con el circuito de encendido. El aparato se "bloquea" y el gas sale pero no hay llama (lámpara testigo roja encendida).</p>	1) Interferencia de la corriente de ionización por parte del transformador de encendido.	1) Invertir la alimentación (lado 230V) del transformador de encendido y comprobar con un microamperímetro analógico
	2) Sensor de llama (sonda ionización) ineficaz	2) Sustituir el sensor de llama
	3) Sensor de llama (sonda ionización) en posición incorrecta.	3) Corregir la posición del sensor de llama y luego controlar si funcionan bien, con el microamperímetro analógico.
	4) Sonda ionización o cable de masa	4) Controlar visualmente o con un instrumento
	5) Conexión eléctrica interrumpida del sensor de llama	5) Restablecer la conexión.
	6) Tiro insuficiente o recorrido de los humos obstruido	6) Controlar que los pasos de humos entre la caldera y los racores estén libres.
	7) Disco llama o cabeza de combustión sucios o desgastados..	7) Controlar con la vista y si fueran necesario cambiarlos.
	8) Caja de control averiada.	8) Cambiarla.
	9) Falta ionización.	9) Si la "masa" de la caja de control no es eficaz, no se forma la corriente de ionización. Controlar la eficacia de la "masa" en el borne de la caja de control y en la conexión a "tierra" de la instalación eléctrica.
<p>El aparato se bloquea, sale el gas, pero no hay llama (lámpara testigo roja encendida). Avería relacionada con el circuito de encendido</p>	1) Avería en el circuito de encendido	1) controlar la alimentación del transformador de encendido (lado 230 V) y el circuito de alta tensión (electrodo en masa o aislador rotobajo el borne de bloqueo).
	2) Cable transformador de encendido descarga a masa.	2) Sustituirlo.
	3) Cable transformador de encendido desconectado	3) Conectarlo.
	4) transformador de encendido averiado.	4) Sustituirlo.
	5) La distancia entre el electrodo y la masa no es correcta	5) Ponerlo a la distancia correcta.
	6) Aislador sucio y por ello el electrodo descarga a masa.	6) Limpiar o sustituir el aislador o electrodo.
<p>El aparato se "bloquea" y el gas sale pero no hay llama (lámpara testigo roja encendida)</p>	1) Relación aire/gas incorrecta.	1) Corregir la relación aire/gas (probablemente hay demasiado aire o poco gas)
	2) No se ha purgado correctamente el aire de la tubería del gas (en el caso del primer encendido).	2) Purgar más la tubería del gas, con la debida cautela
	3) La presión del gas es insuficiente o excesiva..	3) Controlar el valor de la presión del gas al momento de encender (usar el manómetro de agua si es posible).
	4) Paso del aire entre el disco y la cabeza demasiado cerrado.	4) Adecuar la apertura disco/testa.

- FR - Avant de commencer à utiliser le brûleur, lire attentivement les recommandations de la notice "RECOMMANDATIONS A L'ATTENTION DE L'UTILISATEUR POUR UN USAGE DU BRULEUR EN TOUTE SECURITE" jointe au manuel d'instructions et qui constitue une partie intégrante et essentielle du produit.
- Lire attentivement les instructions avant de mettre en fonction le brûleur et pour son entretien correct.
 - Les travaux sur le brûleur et sur l'installation doivent être exécutés seulement par du personnel qualifié.
 - L'alimentation électrique de l'installation doit être débranchée avant de commencer les travaux.
 - Si les travaux ne sont pas exécutés correctement il y a la possibilité de causer de dangereux incidents.

Déclaration de conformité

Nous déclarons, sous notre responsabilité, que nos produits portant la marque "CE" Séries :
Sparkgas...; BTG...; BGN...; TBG...; Minicomist...; Comist...; RiNOx...; BT...; BTL...; TBL...; GI...;
GI...Mist; PYR...; TS...

Description:

brûleurs à air soufflé de combustibles liquides, gazeux et mixtes, privés et industriels respectent les conditions requises minimums imposées par les Directives Européennes:

- 90/396/CEE (Directive Gaz)
- 92/42/CEE (Directive Rendements)
- 89/336/CEE (Directive Compatibilité e.m.)
- 73/23/CEE (Directive Basse Tension)
- 98/37 CEE (Directive Machines)

et sont conçus et testés selon les Normes Européennes :

- EN 676 (gaz et mixtes, côté gaz)
- EN 267 (fioul et mixtes, côté fioul)
 - EN 60335-1:2001+A1:2004+A11:2004 +A2:2006
 - EN 60335-2-102:2006
 - EN 50165:1997:A1:2001
 - EN 55014-1:2000 + A1:2001+A2:2002
 - EN 55014-2:1997 + A1:2001
 - EN 50366:2004 + A1:2006
 - EN 61000-3-2:2000 + A2:2005

Organe de Surveillance selon la Directive Gaz 90/396/CEE:
CE0085 - DVGW

Administrateur Délégué:
Dr. Riccardo Fava

SOMMAIRE.....	PAGE
- Recommandations a l'attention del l'utilisateur.....	" 2
- Caracteristiques techniques.....	" 4
- Application du brûleur a la chaudiere.....	" 8
- Branchements electriques	" 9
- Description du fonctionnement	"! 10
- Boîtier de commande et de contrôle pour brûleurs à gaz	" 11
- Allumage et réglage au gaz methane	" 12
- Mesure de courant de ionisation.....	" 13
- Réglage de l'air sur la tête de combustion.....	" 14
- Regulation came servomoteur	" 15
- Entretien	" 16
- Prédisposition pour fixation de la rampe vers le haut - Bruleur de gaz a deux allures - Schema de réglage air brûleur TBG 55-60 a une allure	" 17
- Irrégularité - Cause - Remède	" 18
- Schema électrique	" 93

RECOMMANDATIONS A L'ATTENTION DE L'UTILISATEUR POUR UN USAGE DU BRULEUR EN TOUTE SECURITE INTRODUCTION

L'objectif de ses recommandations est de contribuer, lors de l'utilisation, à la sécurité des composants pour installations de chauffage à usage privé et production d'eau chaude à usage sanitaire, en indiquant les comportements qu'il est nécessaire ou opportun d'adopter afin d'éviter que leurs caractéristiques de sécurité d'origine soient compromises par d'éventuelles installations incorrectes, des usages inappropriés, impropres ou irraisonnables. La diffusion des recommandations figurant dans ce guide a aussi pour but de sensibiliser le public des «consommateurs» aux problèmes de sécurité à travers un langage nécessairement technique mais facilement accessible. Le fabricant décline toute responsabilité contractuelle et extra contractuelle en cas de dommages provoqués par des erreurs lors de l'installation ou de l'usage et, dans tous les cas, par un non-respect des instructions fournies par ce fabricant.

RECOMMANDATIONS GENERALES

- La notice d'instructions est une partie intégrante et essentielle du produit et doit être remise à l'utilisateur. Lire attentivement les recommandations figurant dans la notice car elles fournissent d'importantes indications concernant la sécurité d'installation, d'utilisation et d'entretien. Conserver soigneusement la notice pour toute ultérieure consultation.
- L'installation de l'appareil doit être effectuée conformément aux normes en vigueur, selon les instructions du fabricant et par du personnel professionnellement qualifié. Par personnel qualifié on entend du personnel ayant les compétences techniques nécessaires dans le secteur des composants d'installations de chauffage à usage privé et la production d'eau chaude à usage sanitaire et, plus particulièrement, les centres de service après-vente agréés par le fabricant. Une mauvaise installation peut provoquer des dommages aux personnes, animaux ou choses, le fabricant déclinant toute responsabilité.
- Après avoir ôté tous les emballages, vérifier l'état du contenu. En cas de doute, ne pas utiliser l'appareil et contacter le fournisseur. Les éléments de l'emballage (cage en bois, clous, agrafes, sachets en plastique, polystyrène expansé, etc.) ne doivent pas être laissés à la portée des enfants dans la mesure où ils constituent des sources potentielles de danger. De plus, pour éviter toute pollution, ils doivent être déposés dans des lieux prévus à cet effet.
- Avant d'effectuer toute opération de nettoyage ou d'entretien, débrancher l'appareil du réseau d'alimentation en intervenant sur l'interrupteur de l'installation et/ou sur les organes de coupures appropriés.
- En cas de panne et/ou de mauvais fonctionnement de l'appareil, le désactiver et ne tenter aucune action de réparation ou d'intervention directe. S'adresser exclusivement à du personnel professionnellement qualifié. L'éventuelle réparation des produits doit être effectuée par un centre de service après-vente agréé par BALTUR en utilisant exclusivement des pièces détachées d'origine. Le non-respect de cette recommandation peut compromettre la sécurité de l'appareil. Pour garantir l'efficacité de ce dernier et pour que son fonctionnement soit correct, il est indispensable de faire effectuer l'entretien périodique par du personnel professionnellement qualifié en respectant les indications du fabricant.
- Si l'appareil doit être vendu ou transféré à un autre propriétaire ou si celui-ci doit déménager et laisser ce dernier, toujours vérifier que la notice accompagne l'appareil afin qu'il puisse être consulté par le nouveau propriétaire et/ou par l'installateur.
- Pour tous les appareils avec options ou kit (y compris les électriques) il est nécessaire d'utiliser uniquement des accessoires originaux.

BRULEURS

- Cet appareil doit être uniquement destiné à l'usage pour lequel il a été expressément prévu à savoir appliqué à des chaudières, générateurs d'air chaud, fours ou autres foyers similaires, situés dans un lieu à l'abri des agents atmosphériques. Tout autre usage est considéré comme impropre et donc dangereux.
- Le brûleur doit être installé dans un local adapté avec des ouvertures minimums d'aération, correspondant aux normes en vigueur et suffisantes pour obtenir une combustion parfaite.
- Ne pas obstruer ni réduire la section des grilles d'aspiration d'air du brûleur, il en est de même pour les ouvertures d'aération de la pièce où est installé un brûleur ou une chaudière, afin d'éviter toute situation dangereuse telle que la formation de mélanges toxiques et explosifs.
- Avant de raccorder le brûleur, vérifier que les données de la plaquette signalétique correspondent à celles du réseau d'alimentation (électrique, gaz, fioul ou autre combustible).
- Ne pas toucher les parties chaudes du brûleur. Ces dernières, normalement situées à proximité de la flamme et de l'éventuel système de préchauffage du combustible, chauffent durant le fonctionnement et restent chaudes y compris après un arrêt non prolongé du brûleur.
- En cas de décision définitive de ne plus utiliser le brûleur, il est nécessaire de faire effectuer les interventions suivantes par du personnel qualifié:
 - a) Couper l'alimentation électrique en débranchant le câble d'alimentation de l'interrupteur général.
 - b) Fermer l'alimentation du combustible à l'aide de la vanne manuelle de coupure et ôter les volants de commande de leur logement.
 - c) Rendre inoffensives les parties susceptibles de constituer des sources potentielles de danger.

Recommandations particulières

- Vérifier que la personne qui a effectué l'installation du brûleur a fixé solidement ce dernier au générateur de chaleur, de façon que la flamme se forme à l'intérieur de la chambre de combustion du générateur.
- Avant de démarrer le brûleur et au moins une fois par an, faire effectuer les interventions suivantes par du personnel qualifié :
 - a) Etalonner le débit du combustible du brûleur selon la puissance requise par le générateur de chaleur.
 - b) Régler le débit d'air comburant pour obtenir une valeur de rendement de la combustion au moins égale au minimum imposé par les normes en vigueur.
 - c) Effectuer le contrôle de la combustion afin d'éviter la formation de gaz non brûlés nocifs ou polluants au-delà des limites autorisées par les normes en vigueur.
 - d) Vérifier le fonctionnement des dispositifs de réglage et de sécurité.
 - e) Vérifier le fonctionnement du conduit d'évacuation des produits de la combustion.
 - f) A la fin des réglages, contrôler que tous les systèmes de blocage mécanique des dispositifs de réglage sont bien serrés.
 - g) Vérifier que les instructions relatives à l'utilisation et l'entretien du brûleur se trouvent dans le local chaudière.
- En cas de blocages répétés du brûleur, ne pas insister avec les procédures de réarmement manuel mais contacter du personnel professionnellement qualifié pour remédier à cette situation anormale.
- La conduite et l'entretien doivent être effectués exclusivement par du personnel qualifié, dans le respect des dispositions en vigueur.

RECOMMANDATIONS A L'ATTENTION DE L'UTILISATEUR POUR UN USAGE DU BRULEUR EN TOUTE SECURITE INTRODUCTION

ALIMENTATION ELECTRIQUE

- La sécurité électrique de l'appareil est atteinte uniquement lorsque ce dernier est correctement raccordé à une installation de mise à la terre efficace, exécutée comme prévu par les normes de sécurité en vigueur. Cette condition requise de sécurité est fondamentale. En cas de doute, demander un contrôle soigné de l'installation électrique par du personnel qualifié ; le fabricant n'est pas responsable en cas d'éventuels dommages provoqués par l'absence de mise à la terre de l'installation.
- Faire vérifier par du personnel qualifié que l'installation électrique est adaptée à la puissance maximum absorbée par l'appareil, indiquée sur la plaquette signalétique, en vérifiant plus particulièrement que la section des câbles de l'installation correspond à la puissance absorbée par l'appareil.
- L'utilisation d'adaptateurs, prises multiples et/ou rallonges n'est pas autorisée pour l'alimentation générale de l'appareil.
- Pour le raccordement au réseau, il est nécessaire d'installer un interrupteur omnipolaire, comme prévu par les normes de sécurité en vigueur.
- L'alimentation électrique du brûleur doit prévoir le neutre à la terre. En cas de supervision du courant d'ionisation avec neutre non relié à la terre, il est indispensable de raccorder le circuit RC entre la borne 2 (neutre) et la terre.
- L'utilisation d'un composant quelconque fonctionnant à l'électricité implique l'observation de certaines règles fondamentales, à savoir :
 - Ne pas toucher l'appareil avec des parties du corps mouillées ou humides et/ou avec les pieds humides.
 - ne pas tirer les câbles électriques.
 - ne pas laisser l'appareil exposé à des agents atmosphériques (pluie, soleil, etc.) à moins que cela ait été expressément prévu.
 - ne pas permettre que des enfants ou des personnes inexpérimentées utilisent l'appareil.
- Le câble d'alimentation de l'appareil ne doit pas être remplacé par l'utilisateur. En cas de détérioration du câble, éteindre l'appareil et contacter exclusivement du personnel qualifié pour son remplacement.
- En cas de non-utilisation de l'appareil pendant une certaine période, il convient d'éteindre l'interrupteur électrique d'alimentation à tous les composants de l'installation qui utilisent de l'énergie électrique (pompes, brûleur, etc.).

ALIMENTATION AU GAZ, FIOUL OU AUTRES COMBUSTIBLES

Recommandations générales

- L'installation du brûleur doit être effectuée par du personnel professionnellement qualifié et conformément aux normes et dispositions en vigueur car une mauvaise installation peut provoquer des dommages aux personnes, animaux ou choses. Dans ce cas, le fabricant décline toute responsabilité.
- Avant l'installation, il est conseillé d'effectuer un nettoyage interne soigné de tous les tuyaux d'arrivée du combustible afin d'éliminer les éventuels résidus susceptibles de compromettre le bon fonctionnement du brûleur.
- Lors de la première mise en service de l'appareil, faire effectuer les vérifications suivantes par du personnel qualifié :
 - a) le contrôle de l'étanchéité de la partie interne et externe des tuyaux d'arrivée du combustible ;
 - b) la réglage du débit du combustible en fonction de la puissance requise au brûleur ;
 - c) le brûleur doit être alimenté par le type de combustible pour lequel il est prédisposé ;
 - d) la pression d'alimentation du combustible doit être comprise dans les valeurs indiquées sur la plaquette signalétique du brûleur ;
 - e) l'installation d'alimentation du combustible doit être dimensionnée pour le débit nécessaire au brûleur et dotée de tous les dispositifs de sécurité et de contrôle prescrits par les normes en vigueur.
- En cas de non-utilisation du brûleur pendant une certaine période, fermer le robinet ou les robinets d'alimentation du combustible.

Recommandations particulières pour l'utilisation du gaz

- Faire vérifier par du personnel professionnellement qualifié :
 - a) que la ligne d'arrivée et la rampe sont conformes aux normes et prescriptions en vigueur.
 - b) que tous les raccords de gaz sont étanches.
- Ne pas utiliser les tuyaux du gaz comme mise à la terre d'appareils électriques.
- Ne pas laisser l'appareil inutilement activé lorsqu'il n'est pas utilisé et toujours fermer le robinet de gaz.
- En cas d'absence prolongée de l'utilisateur de l'appareil, fermer le robinet principal d'arrivée du gaz au brûleur.
- En cas d'odeur de gaz :
 - a) ne pas actionner d'interrupteurs électriques, ne pas utiliser le téléphone et tout autre objet susceptible de provoquer des étincelles ;
 - b) ouvrir immédiatement les portes et fenêtres pour créer un courant d'air pour purifier la pièce ;
 - c) fermer les robinets de gaz ;
 - d) demander l'intervention d'un personnel professionnellement qualifié.
- Ne pas obstruer les ouvertures d'aération de la pièce où est installé un appareil à gaz afin d'éviter toute situation dangereuse telle que la formation de mélanges toxiques et explosifs.

CHEMINEES POUR CHAUDIERES A HAUT RENDEMENT ET SIMILAIRES

Il convient de préciser que les chaudières à haut rendement et similaires évacuent dans la cheminée les produits de la combustion (fumées) à une température relativement basse. Dans cette condition, les cheminées traditionnelles, dimensionnées de façon habituelle (section et isolation thermique) peuvent ne pas être adaptées pour fonctionner correctement car le refroidissement sensible que les produits de la combustion subissent pour les parcourir permet, très probablement, une diminution de la température même en dessous du point de condensation. Dans une cheminée qui fonctionne au régime de condensation, on constate la présence de suie à l'embouchure dans l'atmosphère lorsque l'on brûle du fioul ou du fioul lourd et la présence d'eau de condensation le long de la cheminée lorsque l'on brûle du gaz (méthane, GPL, etc.). On peut donc en déduire que les cheminées raccordées à des chaudières à haut rendement et similaires doivent être dimensionnées (section et isolation thermique) pour l'usage spécifique afin d'éviter l'inconvénient décrit précédemment.

CARACTERISTIQUES TECHNIQUES

CARACTERISTIQUES TECHNIQUES		TBG 45	TBG 45P	TBG 60	TBG 60P
THERMIC CAPACITY	MAX kW	450		600	
	MIN kW	100		120	
FONCTIONNEMENT		Une allure	Deux allures	Une allure	Deux allures
EMISIÓN NOx	mg/kWh	< 80 (Classe III secondo EN 676)			
MOTEUR	kW	0,50		0,75	
	r.p.m.	2730		2800	
PUISSANCE ELECTRIQUE ABSORBEE*	kW	0,67	0,69	0,93	0,96
fusible de línea	A / 400 V	--		4	
TRANSFORMATEUR D'ALLUMAGE		26 kV - 40 mA - 230/240 V - 50/60 Hz			
TENSION		1N ~ 230 V ±10%- 50 Hz		3N ~ 400 V ±10%- 50 Hz	
DEGRE DE PROTECTION		IP 44			
DETECTION FLAMME		SONDE DE IONISATION			
NIVEAU DE BRUIT**	dBA	73		75	
POIDS	kg	40		42	
Gaz naturel (G 20)					
DEBIT	MAX m³n/h	45,3		60,3	
	MIN m³n/h	10,1		12,1	
PRESION	MAX mbar	360			

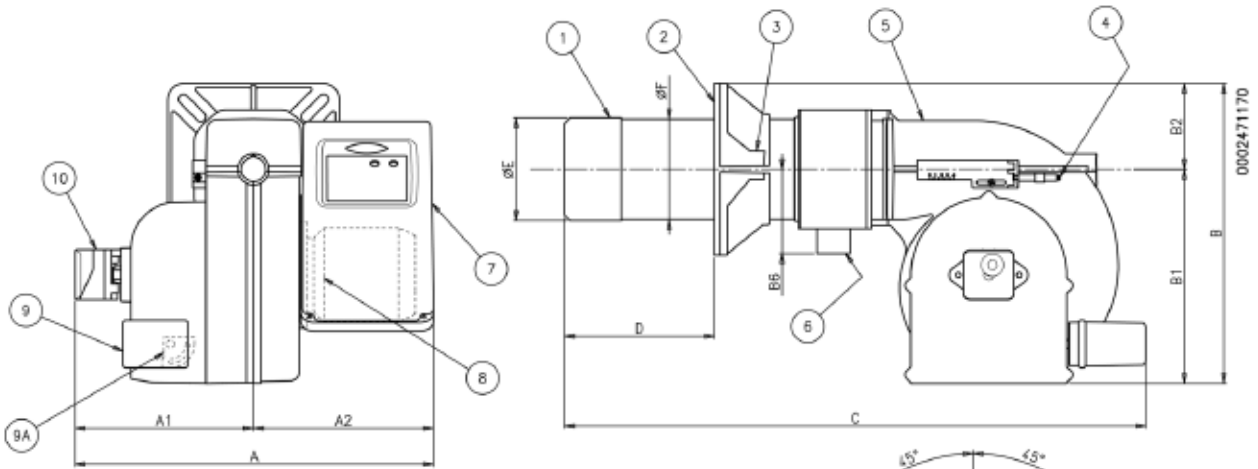
*) Absorption totale en phase de départ, avec transformateur d'allumage enclenché.

***) Pression sonore mesurée dans le laboratoire du fabricant, avec brûleur fonctionnant sur une chaudière d'essai à la puissance thermique nominale maximale.

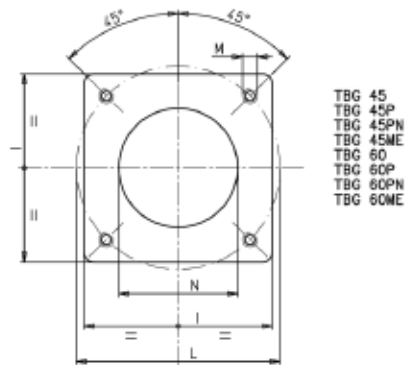
ACCESSOIRES STANDARD

	TBG 45	TBG 45P	TBG 60	TBG 60P
BRIDE DE FIXATION BRULEUR	2	2	2	2
JOINT ISOLANT	1	1	1	1
GOUJONS	N° 4 M 12	N° 4 M 12	N° 4 M 12	N° 4 M 12
ECROUS	N° 4 M 12	N° 4 M 12	N° 4 M 12	N° 4 M 12
RONDELLES PLATES	N° 4 Ø 12	N° 4 Ø 12	N° 4 Ø 12	N° 4 Ø 12

DIMENSION DE ENCOMBREMENT



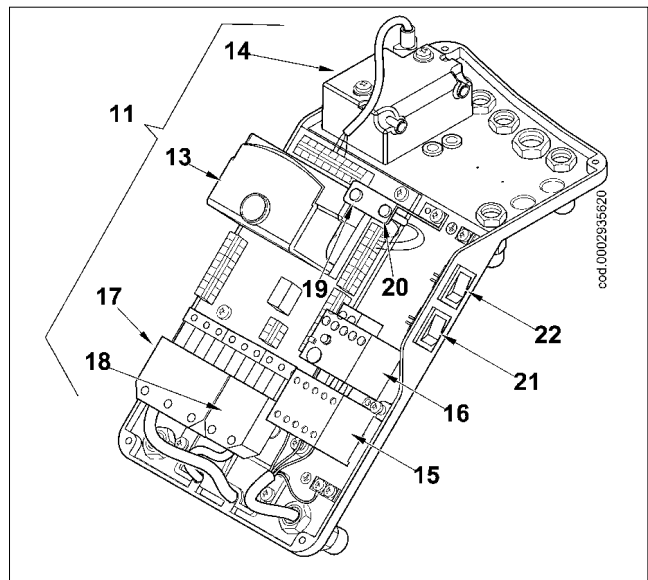
- 1) Tête de combustion
- 2) Joint
- 3) Bride de fixation brûleur
- 4) Dispositif de réglage tête
- 5) Couvercle
- 6) Bride de fixation rampe à gaz
- 7) Tableau électrique
- 8) Moteur
- 9) Servomoteur de réglage de l'air
- 9a) Réglage manuel de l'air (TGB 45/60)
- 10) Pressostat d'air



TBG 45
TBG 45P
TBG 45PN
TBG 45ME
TBG 60
TBG 60P
TBG 60PN
TBG 60ME

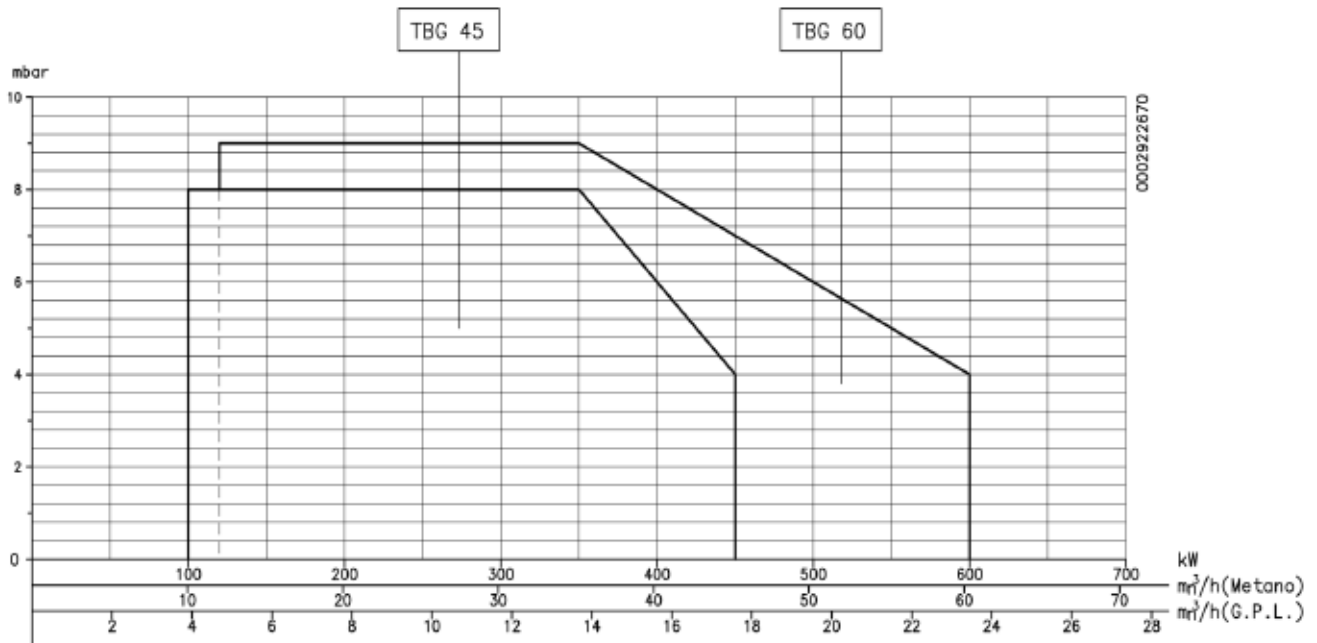
MOD.	A	A1	A2	B	B1	B6	C	D	D	E	F	I	L	L	M	N
								min	max	Ø	Ø		min	max		
TBG 45	550	270	280	435	325	160	880	140	300	137	133	215	200	245	M12	145
TBG 45P	550	270	280	435	325	160	920	140	300	137	133	215	200	245	M12	145
TBG 60	550	270	280	455	325	160	880	140	300	156	152	260	225	300	M12	160
TBG 60P	550	270	280	455	325	160	920	140	300	156	152	260	225	300	M12	160

- 13) Boîtier de commande et de contrôle
- 14) Transformateur d'allumage
- 15) Contacteur moteur (alimentation triphasée)
- 16) Relais thermique (alimentation triphasée)
- 17) Fiche 7 pôles
- 18) Fiche 4 pôles
- 19) Led brûleur allumé
- 20) Led brûleur bloqué
- 21) Bouton de déblocage
- 22) Interrupteur marche/arrêt



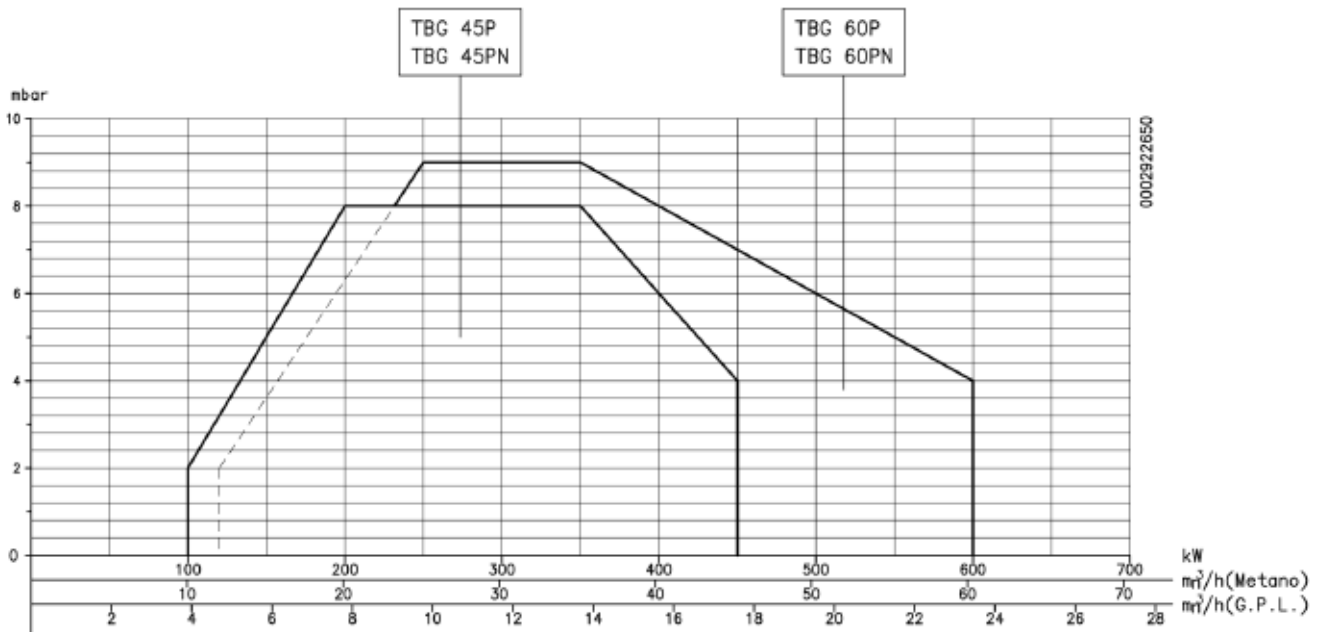
FRANÇAIS

DOMAINE DE FONCTIONEMENT TBG 45 / 60 A UNE ALLURE



DOMAINE DE FONCTIONEMENT TBG 45P / 60P A DEUX ALLURES

F
R
A
Ç
A
I
S



Les domaines de fonctionnement sont obtenus sur des chaudières d'essai répondant à la norme EN676 et sont indicatifs en ce qui concerne les accouplements brûleur-chaudière.

Pour un fonctionnement correct du brûleur, les dimensions de la chambre de combustion doivent correspondre à la norme en vigueur ; dans le cas contraire, il est nécessaire de contacter les fabricants.

LIGNE D'ALIMENTATION

Le schéma de principe de la ligne d'alimentation à gaz est indiqué sur la figure ci-dessous. La rampe gaz est homologuée selon la norme EN 676 et est fournie séparément.

En amont de la vanne de gaz, il est nécessaire d'installer une vanne de coupure manuelle et un joint antivibratoire, disposés selon les indications du schéma.

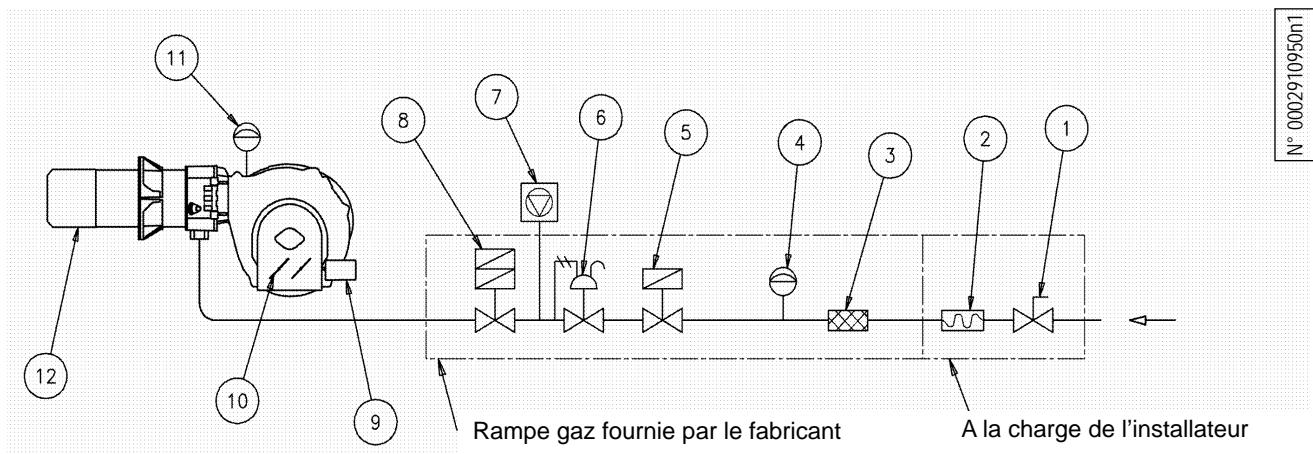
En cas de rampe à gaz dotée de régulateur de pression non incorporée dans une vanne monobloc, nous jugeons utile de fournir les conseils pratiques suivants relatifs à l'installation des accessoires sur le tuyau de gaz à proximité du brûleur :

1) Pour éviter de fortes chutes de pression à l'allumage, il doit y avoir un morceau de tuyau d'une longueur de $1,5 \div 2$ m entre le point d'application du stabilisateur ou du réducteur de pression et le brûleur. Le diamètre de ce tuyau doit être égal ou supérieur au raccord de fixation au brûleur.

2) Pour obtenir le meilleur fonctionnement du régulateur de pression possible, il est nécessaire que ce dernier soit appliqué sur un tuyau horizontal, après le filtre. Le régulateur de pression du gaz doit être réglé lorsqu'il fonctionne au débit maximal effectivement utilisé par le brûleur.

La pression à la sortie doit être réglée à une valeur légèrement inférieure à la pression maximale réalisable (à savoir la pression obtenue en vissant la vis de réglage pratiquement à fond) ; dans le cas spécifique, en vissant la vis de réglage, la pression à la sortie augmente, elle diminue en la dévissant.

SCHEMA DE PRINCIPE BRULEUR A GAZ



N° 0002910950m1

F
R
A
Ç
A
I
S

Légende

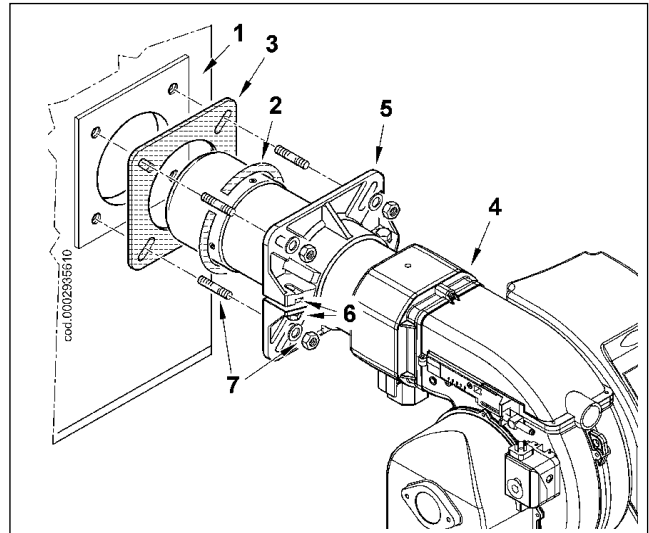
- | | |
|---|--------------------------------------|
| 1) Vanne de coupure manuelle | 8) Vanne de fonctionnement 2 allures |
| 2) Joint antivibratoire | 9) Servomoteur de commande |
| 3) Filtre à gaz | 10) Volet de réglage de l'air |
| 4) Pressostat de pression minimum de gaz | 11) Pressostat d'air |
| 5) Vanne de sécurité | 12) Tête de combustion |
| 6) Régulateur de pression | |
| 7) Dispositif de contrôle de l'étanchéité des vannes
(obligatoire pour les brûleurs avec une puissance thermique
nominale maximum supérieure à 1200 kW) | |

APPLICATION DU BRULEUR A LA CHAUDIERE

MONTAGE DU GROUPE TETE

- Positionner sur le fourreau le joint isolant 3 en interposant la corde 2 entre la bride et le joint.
- Dévisser les deux vis (6)
- Adapter la position de la bride de fixation 5 en dévissant les vis 6 de façon que la tête de combustion pénètre dans le foyer sur la longueur conseillée par le fabricant du générateur.
- Fixer le brûleur 4 à la chaudière 1 au moyen des boulons prisonniers, des rondelles et des écrous correspondants fournis en dotation 7.

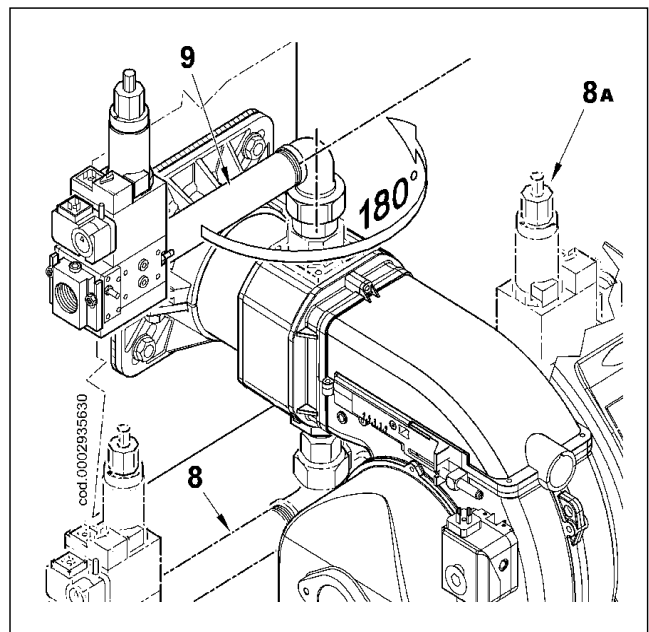
N.B. Sceller complètement avec du matériel adapté l'espace entre le fourreau du brûleur et l'orifice situé sur le réfractaire à l'intérieur de la porte de la chaudière.



MONTAGE DE LA RAMPE GAZ

Plusieurs solutions de montage 8, 8a, 9 de la rampe vannes sont possibles, comme le montre l'illustration ci-contre. Le brûleur est fourni avec un raccord pour rampe gaz dirigé vers le bas. Si vous souhaitez inverser le côté d'entrée de la rampe afin de permettre le montage du groupe de vannes selon la configuration 9, suivre la procédure décrite au paragraphe « Prédiposition pour fixation de la rampe vers le haut ».

Choisir la position la plus rationnelle en fonction de la configuration de la chaufferie et de la position d'arrivée de la tuyauterie du gaz.



BRANCHEMENTS ELECTRIQUES

La ligne d'alimentation triphasée doit être équipée d'un interrupteur avec fusibles. De plus, les normes prévoient un interrupteur sur la ligne d'alimentation du brûleur, situé à l'extérieur du local chaudière, en position facilement accessible.

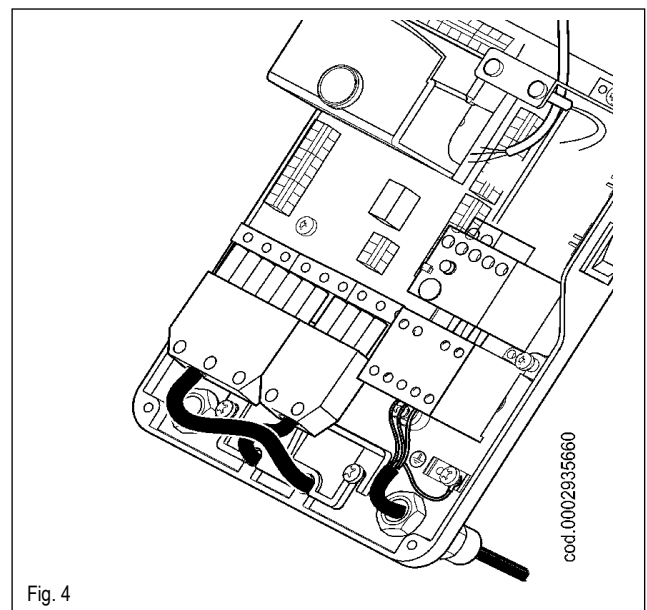
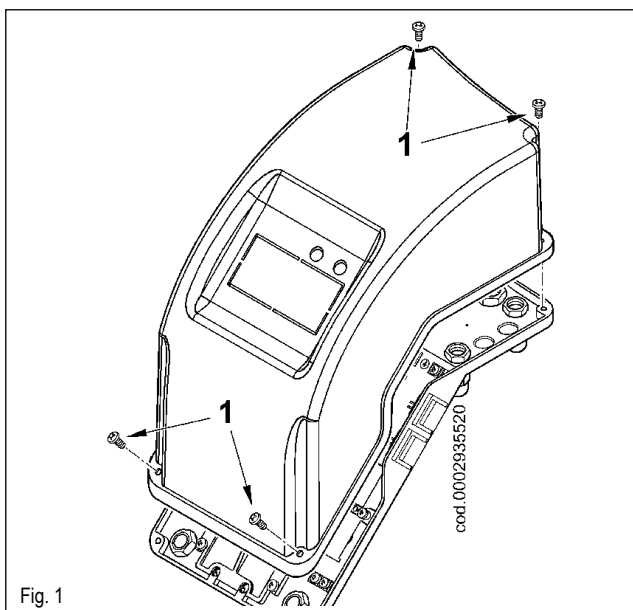
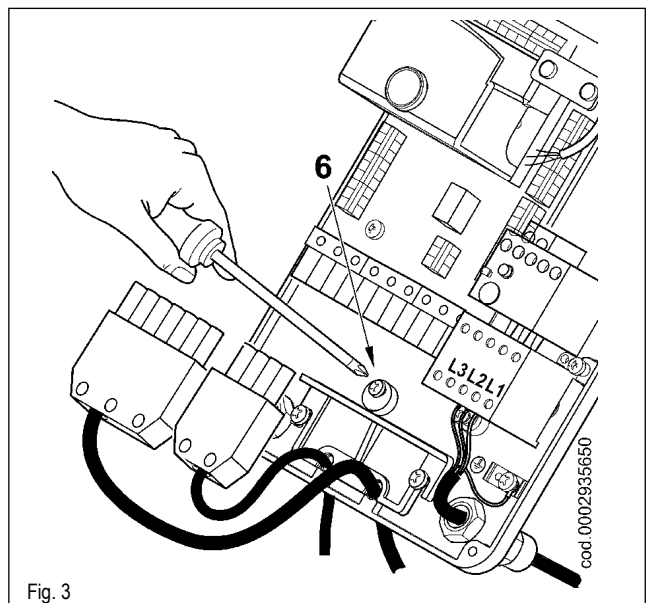
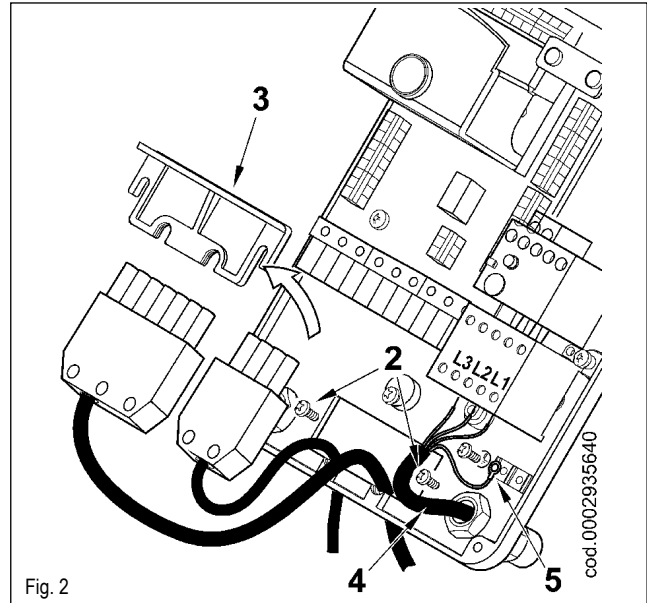
En ce qui concerne les branchements électriques (ligne et thermostats), respecter le schéma électrique joint. Pour effectuer le branchement du brûleur à la ligne d'alimentation, procéder comme suit :

- Enlever le couvercle en dévissant les 4 vis (1) indiquées sur la figure, sans enlever la porte transparente. Il est alors possible d'accéder au tableau électrique du brûleur.
- Desserrer les vis (2) et, après avoir enlevé la plaquette de serrage des câbles (3), faire passer à travers l'orifice les deux fiches à 7 et à 4 pôles (voir figure 2). Relier les câbles d'alimentation (4) au télérupteur, fixer le câble de terre (5) et serrer le serre-câble correspondant.
- Repositionner la plaquette de serrage des câbles comme indiqué sur la figure 3. Tourner l'excentrique (6) de façon que la plaquette exerce une pression adéquate sur les deux câbles puis serrer les vis qui fixent la plaquette. Enfin, relier les deux fiches à 7 et à 4 pôles (voir fig.4)

REMARQUE IMPORTANTE : les logements des câbles pour les fiches à 7 et 4 pôles sont prévus respectivement pour des câbles de Φ 9,5÷10 mm et Φ 8,5÷9 mm, ceci pour garantir le degré de protection IP 44 (Norme CEI EN60529) relatif au tableau électrique.

- Pour refermer le couvercle du tableau électrique, visser les 4 vis (1) en exerçant un couple de serrage pour garantir une étanchéité correcte.

Remarque importante : l'ouverture du tableau électrique du brûleur n'est autorisée qu'au personnel professionnellement qualifié.



DESCRIPTION DU FONCTIONNEMENT TBG 45 / 60

À la fermeture de l'interrupteur général et de l'interrupteur E/S (22) du tableau électrique, si les thermostats sont fermés, la tension atteint l'appareillage de commande et contrôle qui met en marche le brûleur (allumage DEL 19)

Le moteur du ventilateur est ensuite activé pour effectuer la préventilation de la chambre de combustion.

Le transformateur d'allumage est ensuite activé et, 2 secondes plus tard, les vannes de gaz s'ouvrent.

La vanne principale, à deux allures, est constituée d'un dispositif permettant de régler le débit de gaz pour la première et la deuxième flamme.

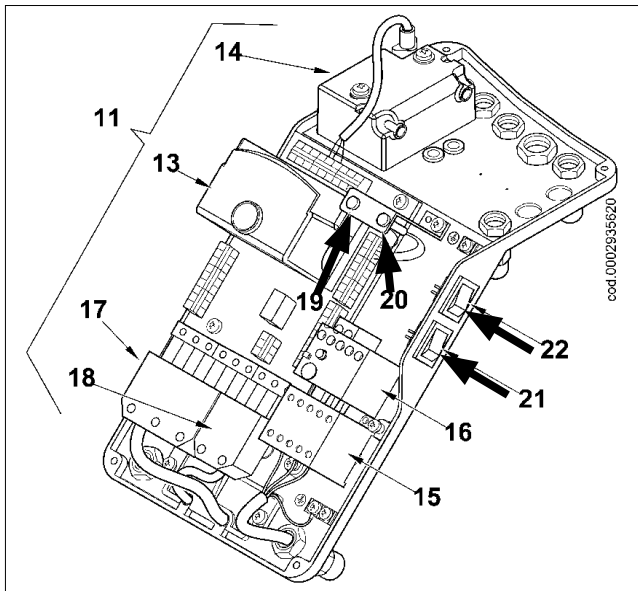
La vanne de sécurité est en version ON/OFF.

L'air de combustion est réglable manuellement grâce au clapet d'air prévu à cet effet (voir le paragraphe « Schéma de réglage de l'air du brûleur TBG 45-60 à une allure »). Le brûleur étant en version ON/OFF, la position du clapet d'air doit être obligatoirement réglée pour le fonctionnement au débit maximum.

La présence de la flamme, détectée par le dispositif de contrôle, permet de poursuivre et de compléter la phase d'allumage avec la désactivation du transformateur d'allumage.

Intervient ensuite l'activation de la deuxième flamme (ouverture deuxième allure vanne principale).

En cas d'absence de flamme, l'appareillage se met en position de « blocage de sécurité » (allumage DEL 20) dans un délai de 3 secondes à partir de l'ouverture en première flamme de la vanne principale. En cas de « blocage de sécurité », les vannes se referment automatiquement. Pour débloquer l'appareillage de la position de sécurité, appuyer sur le bouton (21) du tableau électrique.



DESCRIPTION DU FONCTIONNEMENT TBG 45P - 60P

À la fermeture de l'interrupteur général et de l'interrupteur E/S (22) du tableau électrique, si les thermostats sont fermés, la tension atteint l'appareillage de commande et contrôle qui met en marche le brûleur (allumage DEL 19).

Le moteur du ventilateur est ensuite activé afin d'effectuer la préventilation de la chambre de combustion, simultanément le servo-moteur de commande du clapet de l'air se met dans la position d'ouverture correspondant à la deuxième flamme, par conséquent la phase de préventilation intervient avec le clapet d'air en position de deuxième flamme.

À la fin de la phase de préventilation, le clapet de l'air se remet en position de première flamme, puis le transformateur d'allumage est activé et, deux secondes plus tard, les vannes de gaz s'ouvrent.

La vanne principale, à deux allures, est constituée d'un dispositif permettant de régler le débit de gaz pour la première et la deuxième flamme.

La vanne de sécurité est en version ON/OFF.

Le clapet de l'air est actionné par un servo-moteur électrique prévu à cet effet (voir 0002934711). Tenir compte du fait qu'à l'arrêt du brûleur par intervention du thermostat, le clapet est remis en position de fermeture par le servo-moteur.

La présence de la flamme, détectée par le dispositif de contrôle, permet de poursuivre et de compléter la phase d'allumage avec la désactivation du transformateur d'allumage. Puis, la deuxième flamme est activée (augmentation de l'air de combustion et ouverture deuxième allure vanne principale).

En cas d'absence de flamme, l'appareillage s'arrête en condition de « blocage de sécurité » (allumage DEL 20) dans un délai de 3 secondes à partir de l'ouverture en première flamme de la vanne principale.

En cas de « blocage de sécurité », les vannes se referment automatiquement.

Pour débloquer l'appareillage de la position de sécurité, il faut appuyer sur le bouton (21) du tableau électrique.

Boîtier de contrôle ou programmeur	Temps de sécurité	Temps de préventilation	Pré-allumage	Post-allumage	Temps entre ouverture vanne 1ère flamme et vanne 2ème flamme	Temps de course ouverture volet	Temps de course fermeture volet
	S	S	S	S	S	S	S
LME 22.331A2	3	30	2	2	11	12	12
LME 22.233A2	3	30	2	2	11	30	30

BOÎTIER DE COMMANDE ET DE CÔNTRÔLE POUR BRÛLEUR À GAZ LME 22...

Indication
état opérationnel

Durant le démarrage, l'indication de l'état s'effectue selon le tableau suivant :

Etat	Code couleur	Couleur
Temps d'attente "tw", autres états d'attente	○.....	Eteint
Phase d'allumage, allumage contrôlé	● ○ ● ○ ● ○ ● ○ ● ○	Jaune clignotante
Fonctionnement, flamme O.K.	○.....	Vert
Fonctionnement, flamme non O.K.	● ○ ● ○ ● ○ ● ○ ● ○	Vert clignotant
Lumière étrangère au démarrage du brûleur	■ p ■ p ■ p ■ p	Vert-rouge
Faible tension	● p ● p ● p ● p	Jaune-rouge
Panne, alarme	p.....	Rouge
Apparition code d'erreur (voir "Tableau codes d'erreur")	p ○ p ○ p ○ p ○	Rouge clignotant
Diagnostic interface	pppppppp	Lumière rouge tremblante

Légende
 Allumé fixe p Rouge
 ○ Eteint ● Jaune
 ■ Vert

Fonctionnement, indication, diagnostic (suite de la page précédente)

Diagnostic de la cause de la panne

Après le blocage, l'indicateur de panne reste allumé fixement.

Dans cette condition, il est possible d'activer le diagnostic visuel de la cause de la panne selon de tableau des codes d'erreur en appuyant pendant plus de 3 secondes sur le bouton de déblocage. En appuyant à nouveau sur le bouton de déblocage pendant au moins 3 secondes, on active le diagnostic interface.

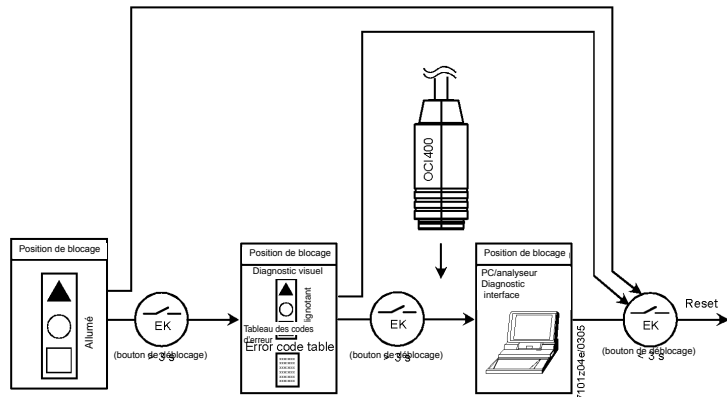


Tableau des codes d'erreur		
Code clignotement rouge de l'indicateur (LED)	"AL" à term. 10	Cause possible
2 clignotements ● ●	Allumé	Aucune présence de flamme à la fin du "TSA" (temps de sécurité à l'allumage) - Vannes combustible défectueuses ou sales - Détecteur de flamme défectueux ou sale - Mauvais réglage du brûleur, absence de combustible - Dispositif d'allumage défectueux
3 x clignotements ● ● ●	Allumé	"LP" (pressostat d'air) défectueux - Signal de pression d'air absent ou erroné après fin de "t10" - "LP" est collé en position normale
4 clignotements ● ● ● ●	Allumé	Lumière étrangère au démarrage du brûleur
5 clignotements ● ● ● ● ●	Allumé	Time-out "LP" - "LP" est collé en position opérationnelle
6 clignotements ● ● ● ● ● ●	Allumé	Non utilizzato
7 clignotements ● ● ● ● ● ● ●	Allumé	Trop de pertes de flamme durant le fonctionnement (limitation des répétitions) - Vannes combustible défectueuses ou sales - Capteur de flamme défectueux ou sale - Mauvais réglage du brûleur
8 x clignotements ● ● ● ● ● ● ● ●	Allumé	Non utilisé
9 clignotements ● ● ● ● ● ● ● ● ●	Allumé	Non utilisé
10 clignotements ● ● ● ● ● ● ● ● ● ●	Eteint	Erreur de branchements électriques ou erreur interne, contacts de sortie, autres pannes

Durant la période de diagnostic de la cause du défaut, les sorties de contrôle sont désactivées

- Le brûleur reste éteint
- L'indication de panne extérieure reste désactivée
- Signal d'état de panne "AL" à l'extrémité 10, sur la base du tableau des codes d'erreur

Pour sortir du diagnostic de la cause du problème et rallumer le brûleur, rétablir la commande du brûleur. Appuyer sur le bouton de déblocage pendant environ 1 seconde (< 3 secondes).

ALLUMAGE ET REGLAGE AU GAZ METHANE

REMARQUE : Le brûleur est équipé d'interrupteur pour passer manuellement de la 1ère à la 2ème allure.

- 1) Vérifier qu'il y a de l'eau dans la chaudière et que les volets sont ouverts.
- 2) Vérifier très attentivement que l'évacuation des produits de combustion peut s'effectuer librement (volets chaudières et cheminées ouverts).
- 3) Vérifier que la tension de la ligne électrique du branchement correspond à celle requise par le brûleur et que les branchements électriques (moteur et ligne principale) sont prédisposés pour la valeur de tension disponible. Vérifier que tous les branchements électriques, réalisés sur place, sont correctement exécutés, comme indiqué sur notre schéma électrique. Éviter la mise en marche de la deuxième flamme en débranchant le connecteur à 4 pôles (18) du tableau électrique (0002935620) pour les brûleurs TBG 45P-60P ; pour les modèles TBG 45 60, débrancher les fils de la broche de connexion 5 du bornier sur le circuit imprimé qui alimente la bobine Y2.
- 4) Régler l'air pour la flamme d'allumage : pour les brûleurs TBG 45P-60P, équipés de servomoteur électrique, suivre les instructions spécifiques de réglage ce dernier, indiquées au schéma 0002934711; pour les brûleurs TBG 45-60 dotés de réglage manuel, régler l'air de la seconde flamme selon les instructions figurant au paragraphe " schéma de réglage air brûleur TBG 55-60 a une allure".
- 5) En manoeuvrant comme il se doit le dispositif de réglage de la vanne gaz, ouvrir, de la quantité jugée nécessaire, le régulateur de débit de combustible de la première flamme (voir les instructions relatives à la vanne gaz à deux allures du modèle installé sur le brûleur). Naturellement, s'il est présent, il est nécessaire d'ouvrir complètement le régulateur de débit de la vanne de sécurité.
- 6) Pour les brûleurs avec alimentation triphasée, avec l'interrupteur I/O (22) du tableau brûleur (voir schéma 0002935620) en position "0" et l'interrupteur général activé, vérifier, en fermant manuellement le télérupteur, que le moteur tourne dans le bon sens, si nécessaire, inverser les deux câbles de la ligne qui alimente le moteur pour changer le sens de rotation.
- 7) A ce point, activer l'interrupteur (22) du tableau de commande (voir schéma 0002935620). Le boîtier de commande est ainsi alimenté et le programmeur détermine l'activation du brûleur, comme décrit au chapitre "description du fonctionnement". Durant la phase de préventilation, il est nécessaire de vérifier que le pressostat de contrôle de la pression d'air effectue l'échange (de la position fermée sans mesure de pression, il doit passer en position fermée avec mesure de la pression de l'air). Si le pressostat ne mesure pas la pression suffisante (n'effectue pas l'échange) ni le transformateur d'allumage ni les vannes de gaz ne s'activent, par conséquent, le boîtier de commande et de contrôle s'arrête en condition de "blocage". Lors du premier allumage, des "blocages" successifs peuvent se produire, ils sont dus aux causes suivantes :
 - a) le tuyau de gaz n'a pas été suffisamment purgé de l'air, par conséquent la quantité de gaz est insuffisante pour permettre une flamme stable.
 - b) Le "blocage" avec présence de flamme peut être provoqué par une instabilité de cette dernière en zone de ionisation, à cause d'un rapport air/gaz incorrect. Pour remédier à cela, modifier la quantité d'air et/ou de gaz de façon à trouver le rapport correct. Cet inconvénient peut aussi être provoqué par une distribution air/gaz incorrecte dans la tête de combustion. Il est alors possible d'intervenir sur le dispositif de réglage de la tête de combustion en fermant ou en ouvrant plus le passage de l'air entre la tête et le diffuseur de gaz.
 - c) Il peut arriver que le courant de ionisation soit dérangé par le courant de décharge du transformateur d'allumage (les deux courants ont un parcours en commun sur la "masse" du brûleur), par conséquent, le brûleur se porte en situation de blocage à cause d'une ionisation insuffisante. Il convient alors d'intervenir sur l'alimentation (côté 230V.) du transformateur d'allumage (invertir les deux fils qui amènent la tension au transformateur). Cet inconvénient peut aussi être provoqué par une "mise à la terre" insuffisante de la carcasse du brûleur.
- 8) Avec le brûleur allumé au minimum, il convient de vérifier immédiatement, visuellement, l'entité et l'aspect de la flamme et d'effectuer les corrections nécessaires en intervenant sur les régulateurs de débit du gaz et de l'air (voir point 4 et 5). Ensuite, vérifier la quantité de gaz distribué sur le compteur. Si nécessaire, corriger le débit de gaz et de l'air de combustion correspondant en intervenant comme décrit précédemment (point 4 et 5). Contrôler la combustion à l'aide des instruments appropriés. Pour obtenir un rapport air/gaz correct, la valeur d'hydride carbonique (CO₂) mesurée pour le méthane doit être d'au moins 8 % ou O₂ = 6% au débit minimum du brûleur jusqu'à une valeur optimale de 10 % ou O₂ = 3% pour le débit maximum de combustible. Il est indispensable de vérifier à l'aide d'un instrument approprié que le pourcentage d'oxyde de carbone (CO) présent dans les fumées ne dépasse pas la valeur prévue par la norme en vigueur au moment de l'installation.
- 9) Vérifier plusieurs fois que le débit de la première flamme s'effectue correctement après avoir réglé le fonctionnement avec la première flamme, éteindre le brûleur, ouvrir l'interrupteur général et fermer le circuit électrique qui commande l'activation de la seconde flamme : réactiver le connecteur à 4 pôles précédemment débranché pour les brûleurs TBG 45P-60P ; raccorder les fils à la broche de connexion 5 du bornier sur le circuit imprimé qui alimente la bobine Y2 pour les brûleurs TBG 45-60). Ouvrir de la quantité nécessaire le régulateur manuel de débit du gaz pour la seconde flamme (flamme principale).
- 11) A ce point, activer à nouveau le brûleur en fermant l'interrupteur général ainsi que celui du tableau de commande. Le brûleur s'allume et, automatiquement, active la seconde flamme (flamme principale). Vérifier immédiatement, visuellement, l'entité et l'aspect de la flamme et corriger, si nécessaire, le débit de gaz et d'air comme indiqué au point 4 et 5.
- 12) Agir comme il se doit sur le régulateur du débit de la seconde flamme pour l'adapter au cas spécifique. Il convient d'éviter de conserver le brûleur en marche si le débit est supérieur au débit maximum admis pour la chaudière afin d'éviter d'en-

dommager cette dernière. Il convient donc d'arrêter le brûleur immédiatement après les deux lectures du compteur.

- 13) Ensuite, avec le brûleur au débit maximum requis par la chaudière, contrôler la combustion à l'aide des instruments appropriés et modifier, si nécessaire, le réglage précédemment effectué (air et éventuellement gaz) avec un seul contrôle visuel (CO_2 max. = 10 % O_2 min = 3% - CO max. = 0,1 %).
- 14) Le pressostat d'air a pour mission d'empêcher l'ouverture des vannes de gaz si la pression de l'air ne correspond pas à celle prévue. Le pressostat doit donc être réglé pour intervenir en fermant le contact lorsque la pression de l'air dans le brûleur atteint une valeur suffisante. Le circuit de branchement du pressostat prévoit l'autocontrôle, il est donc nécessaire que le contact électrique prévu pour être fermé avec ventilateur arrêté (absence de pression d'air dans le brûleur) réponde effectivement à cette condition. Si le pressostat d'air ne mesure pas une pression supérieure à celle d'étalonnage, le boîtier de commande et de contrôle exécute son cycle mais le transformateur d'allumage ne se déclenche pas et les vannes du gaz ne s'ouvrent pas, par conséquent le brûleur s'arrête en situation de "blocage". Pour vérifier le bon fonctionnement du pressostat d'air il est nécessaire, avec le brûleur allumé à la première flamme, d'en augmenter la valeur de réglage jusqu'à constater l'intervention qui doit provoquer l'arrêt immédiat en situation de "blocage" du brûleur. Débloquer le brûleur en appuyant sur le bouton approprié et reporter le réglage du pressostat à une valeur suffisante pour mesurer la pression d'air existante durant la phase de préventilation.
- 15) Les pressostats de contrôle de la pression du gaz (minimum) ont pour objectif d'empêcher le fonctionnement du brûleur lorsque la pression du gaz ne correspond pas à celle prévue. Etant donné la fonction spécifique des pressostats, il est évident que le pressostat de contrôle de la pression minimum doit utiliser le contact qui se trouve fermé lorsque le pressostat mesure une pression supérieure à celle à laquelle il est réglé. Le réglage du pressostat de pression de gaz minimum doit donc être effectué au moment de la mise en service du brûleur en fonction de la pression mesurée à chaque fois. Nous précisons que l'intervention (ouverture du circuit) de l'un des pressostats lorsque le brûleur est en fonction (flamme allumée) entraîne immédiatement l'arrêt du brûleur. Lors de la première mise en service du brûleur, il est indispensable de vérifier le bon fonctionnement du pressostat.
- 16) Vérifier l'intervention du détecteur de flamme (électrode à ionisation) en débranchant le pont entre les bornes 30 et 31 du circuit imprimé et en activant le brûleur. Le boîtier de commande et de contrôle doit exécuter complètement son cycle et, trois secondes après la formation de la flamme d'allumage, s'arrêter en situation de "blocage". Il est nécessaire d'effectuer aussi cette vérification lorsque le brûleur est déjà allumé. En débranchant le pont 30 et 31, le boîtier de commande et de

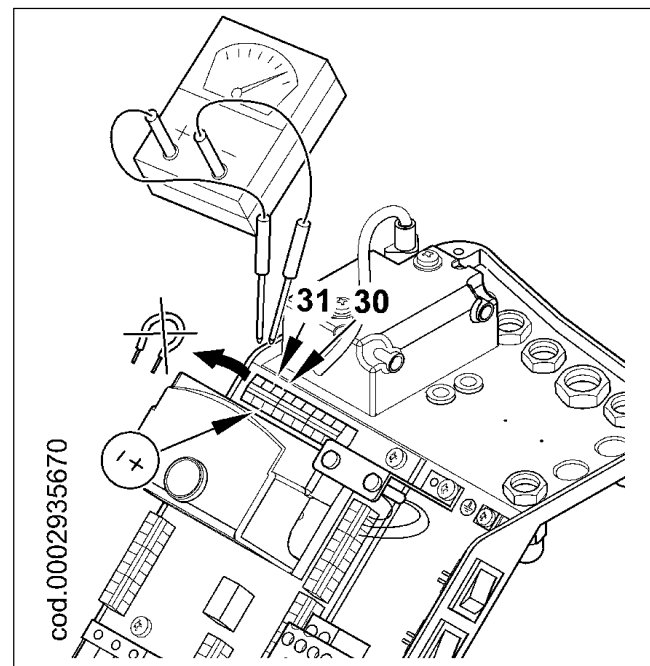
contrôle doit se porter immédiatement en situation de "blocage".

- 17) Vérifier l'efficacité des thermostats ou pressostats de chaudière (l'intervention doit arrêter le brûleur).

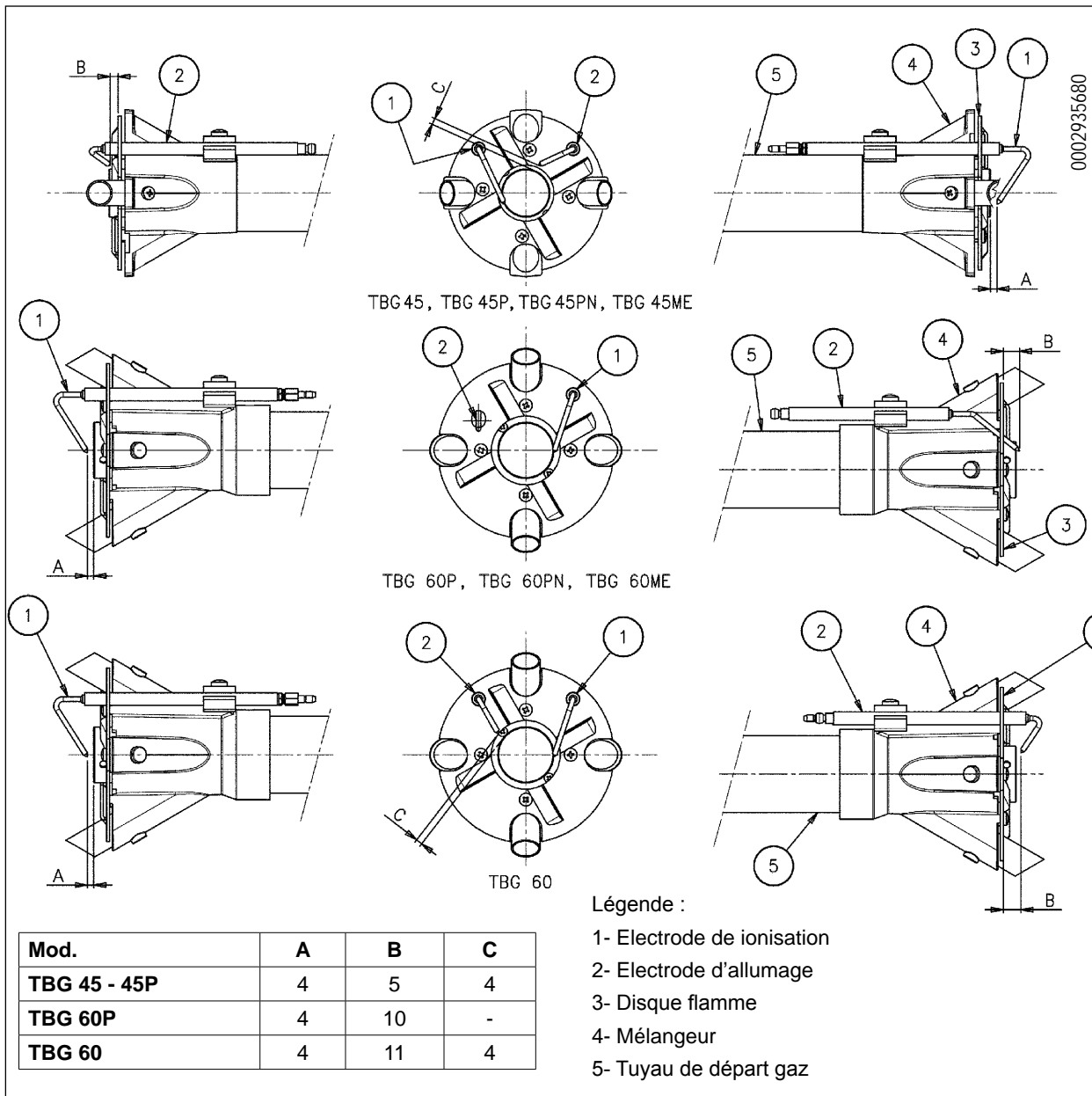
N.B. Contrôler que l'allumage s'effectue normalement, au cas où le régulateur serait déplacé en avant, il se peut que la vitesse de l'air à la sortie soit tellement élevée que l'allumage devient difficile. Dans ce cas, il est nécessaire de déplacer plus en arrière le régulateur par étape, jusqu'à atteindre une position dans laquelle l'allumage s'effectue normalement et accepter cette position comme définitive. Nous rappelons encore que, pour la petite flamme, il est préférable de limiter la quantité d'air au minimum indispensable pour obtenir un allumage sûr, y compris dans les cas les plus difficiles.

MESURE DU COURANT DE IONISATION

Pour mesurer le courant de ionisation, enlever le pontet des bornes 30-31 du circuit imprimé après avoir éteint le brûleur (voir dessin ci-contre). Brancher à ces bornes les extrémités d'un micro-ampèremètre d'échelle adaptée et redémarrer le brûleur. Dès l'apparition de la flamme, il sera possible de mesurer la valeur du courant de ionisation, dont la valeur minimale pour garantir le fonctionnement du boîtier de commande et de contrôle est indiquée dans le schéma électrique spécifique. Une fois la mesure terminée, rétablir le pontet précédemment débranché.



SCHEMA DE REGLAGE ELECTRODES/SONDE DE IONISATION



REGLAGE DE L'AIR SUR LA TETE DE COMBUSTION

La tête de combustion est dotée d'un dispositif de réglage de façon à ouvrir ou fermer le passage de l'air entre le disque et la tête. On réussit ainsi à obtenir, en fermant le passage, une pression élevée en amont du disque, même lorsque les débits sont faibles. La vitesse élevée et la turbulence de l'air permettent une meilleure pénétration de ce dernier dans le combustible et, par conséquent, un excellent mélange et une flamme stable. Il se peut qu'il soit indispensable d'avoir une pression d'air élevée en amont du disque pour éviter les pulsations de flamme, cette condition est pratiquement indispensable lorsque le brûleur fonctionne sur un foyer pressurisé et/ou à haut rendement thermique. D'après ce que nous venons d'exposer, il est évident que le dispositif qui ferme l'air sur la tête de combustion doit être porté

dans une position permettant de toujours obtenir derrière le disque une valeur très élevée de pression de l'air.

Il est nécessaire d'effectuer le réglage de façon à réaliser une fermeture de l'air sur la tête nécessitant une ouverture sensible du volet d'air qui régule le flux de l'aspiration du ventilateur brûleur, naturellement, cette condition doit avoir lieu lorsque le brûleur fonctionne au débit maximum désiré.

En pratique, il est nécessaire de commencer le réglage avec le dispositif qui ferme l'air sur la tête de combustion dans une position intermédiaire, en allumant le brûleur pour un réglage indicatif, comme expliqué précédemment.

Lorsque le **débit maximum désiré** est atteint, corriger la position du dispositif qui ferme l'air sur la tête de combustion, en le déplaçant en avant ou en arrière de façon à obtenir un flux d'air adapté au débit, avec volet d'air en aspiration sensiblement **ouvert**.

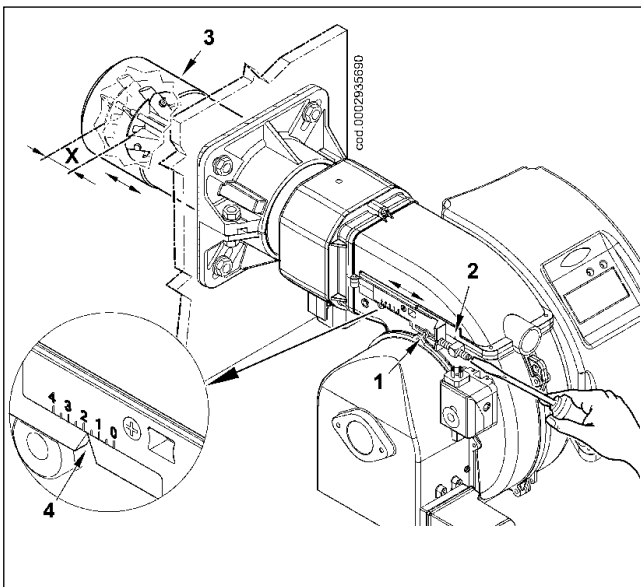
BRULEUR	X	Valeur indiquée au repère 4
TBG 45 / 45P	3 ÷ 31	0 ÷ 3,2
TBG 60 / 60P	6 ÷ 34	0 ÷ 3,2

X= Distance tête-disque; régler la distance X en suivant les indications ci-dessous :

- desserrer la vis 1
- agir sur la vis 2 pour positionner la tête de combustion 3 en se référant au repère 4.
- régler la distance X entre la valeur minimum et maximum selon les indications du tableau.

N.B. Les réglages indiqués ci-dessus sont indicatifs ; positionner la tête de combustion en fonction des caractéristiques du foyer

SCHEMA DE REGLAGE TETE

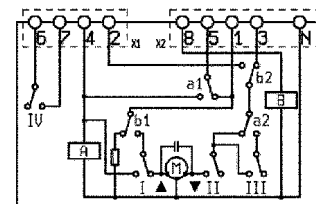
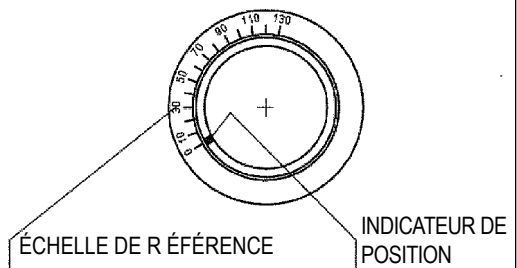
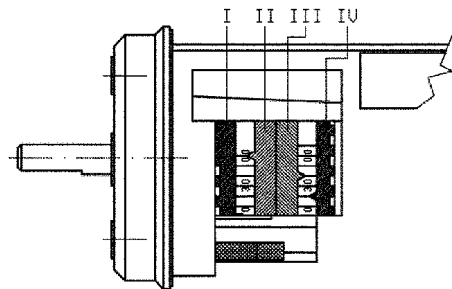
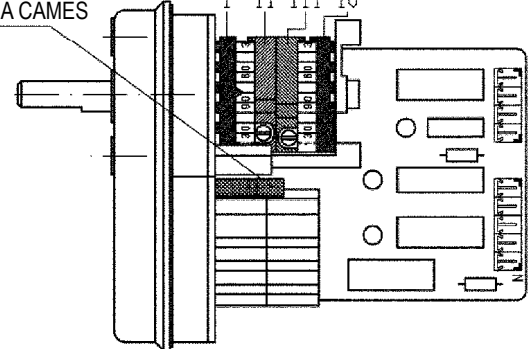


REGULATION CAME SERVOMOTEUR SQN72.XA4A20 PER TBG ...P

0002934711

LEVIER D'INSETION ET D'ARRET
ACCOUPEMENT MOTEUR
ARBRE A CAMES

REGLAGE DES CAMES



SQN72.2A4A20BT
SQN72.6A4A20BT

- I CAMME REGLAGE AIR 2° FLAME
- II CLOTURE TOTAL AIR (BRULEUR ARRETE)
- III CAMME REGLAGE AIR 1° FLAMME
- IV CAMME INSERTION SOUPAPE 2° FLAMME

POUR MODIFIER LE REGLAGE DES CAMES, EMPLOYER LE BAGUES (I - II - III...). L'INDEX DE LA BAGUE DESIGNE, SUR L'ECHELLE DE REFERENCE RESPECTIVE, L'ANGLE DE ROTATION FIXE' POUR CHAQUE CAME.

ENTRETIEN

Effectuer périodiquement l'analyse des gaz d'échappement de la combustion en vérifiant l'exactitude des valeurs d'émissions. Remplacer périodiquement le filtre à gaz lorsqu'il est sale. Vérifier que tous les composants de la tête de combustion sont en bon état, non déformés par la température et exempts d'impuretés ou de dépôts dérivant du site d'installation ou d'une mauvaise combustion, contrôler l'efficacité des électrodes. En cas de nécessité de nettoyer la tête de combustion, en extraire les composants en suivant la procédure ci-dessous :

- 1) Dévisser les vis 1 et enlever le capot 2 (figure 1).
- 2) S'assurer que la plaquette 3 soit bloquée par la vis 4. Cela permettra, une fois les opérations d'entretien terminées, de réinstaller le groupe de mélange dans la même position que celle du réglage précédent. Dévisser la vis 5 qui fixe la tige d'avancement du groupe à la plaquette (figure 2).
- 3) Dévisser complètement l'écrou (6) et visser la vis (7), en l'introduisant à l'intérieur du raccord de refoulement de gaz (8) de manière suffisante à garantir le démontage éventuel du groupe de mélange. Soulever légèrement le raccord de refoulement de gaz (8) hors de son emplacement (figure 3).
- 4) Extraire complètement le groupe de mélange dans la direction indiquée par la flèche 9, après avoir enlevé les câbles d'allumage et de ionisation 10 de leurs électrodes (figure 4).

Achever les opérations d'entretien, procéder au remontage de la tête de combustion en suivant la procédure décrite ci-dessus, après avoir vérifié la position correcte des électrodes d'allumage et de ionisation (voir fiche 0002935680).

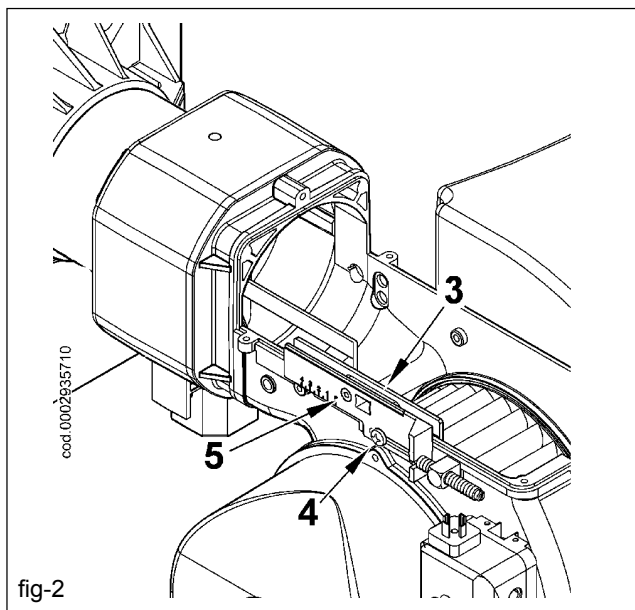


fig-2

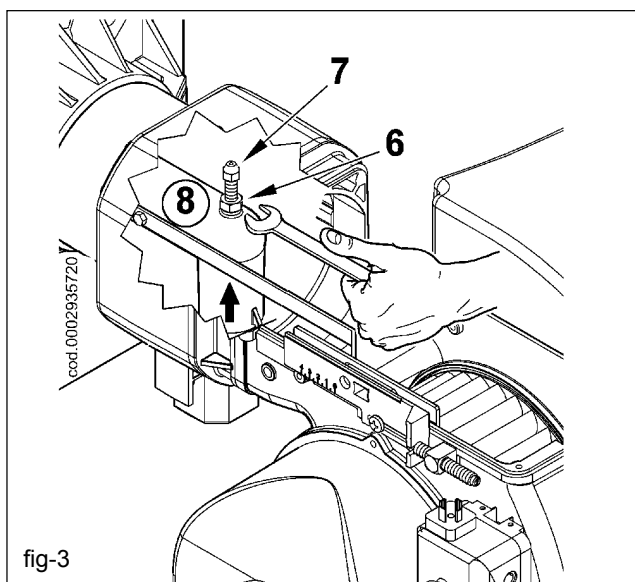


fig-3

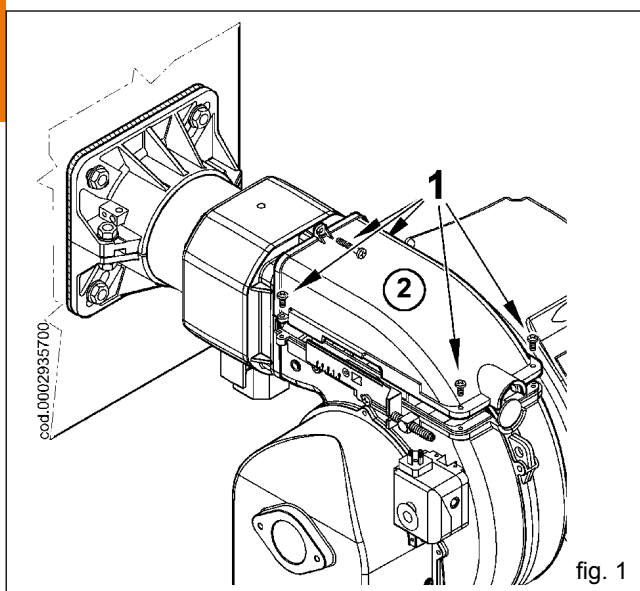


fig. 1

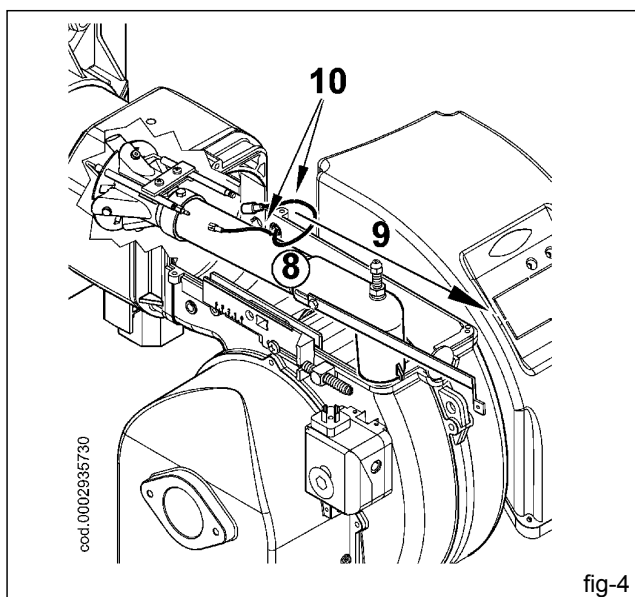


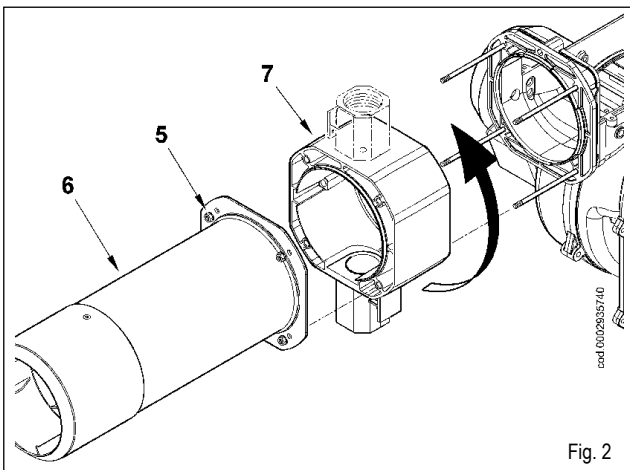
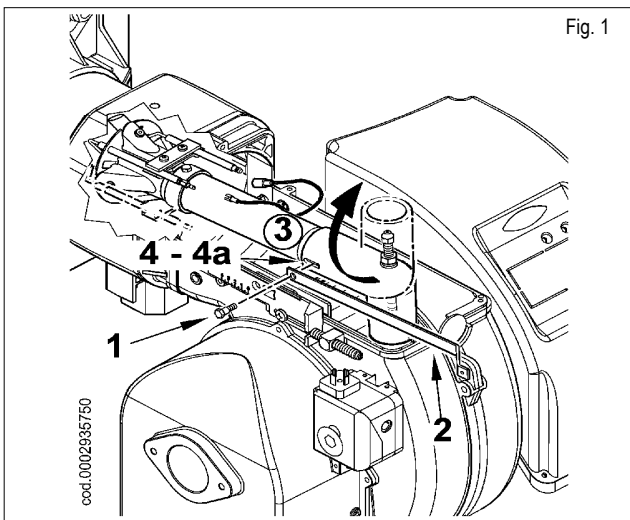
fig-4

PRÉDISPOSITION POUR FIXATION DE LA RAMPE VERS LE HAUT

Si vous souhaitez disposer le côté d'entrée de la rampe vers le haut, suivez la procédure suivante avant de monter le brûleur sur la chaudière.

- 1) En suivant les instructions du paragraphe « Entretien », extraire le groupe de mélange et enlever la vis (1) qui relie la tige d'avancement (2) du groupe au tube de refoulement de gaz (3) en passant à travers la fente (4) du raccord coudé (figure 1).
- 2) Faire pivoter de 180 ° le raccord coudé de manière à ce que la cavité du tube de refoulement de gaz soit en face de la fente (4a) en position diamétralement opposée sur le raccord. Relier à nouveau la tige d'avancement (2) au tube de refoulement de gaz (3) avec la vis (1) de la figure 1.
- 3) Enlever ensuite les 4 écrous (5) de la figure 2, démonter le tube flamme (6) et, après avoir ôté le réducteur de pression (7) de ses goujons, repositionner ce dernier avec l'embout fileté pour la fixation de la rampe de gaz dirigée vers le haut.
- 4) Pour terminer l'opération, fixer le tube flamme (6) et le réducteur de pression (7) avec les 4 écrous (5), puis repositionner le groupe de mélange à sa place.

Il est désormais possible d'installer le brûleur sur la chaudière avec rampe vannes disposée selon la configuration 9 illustrée au paragraphe « Montage de la rampe gaz ».



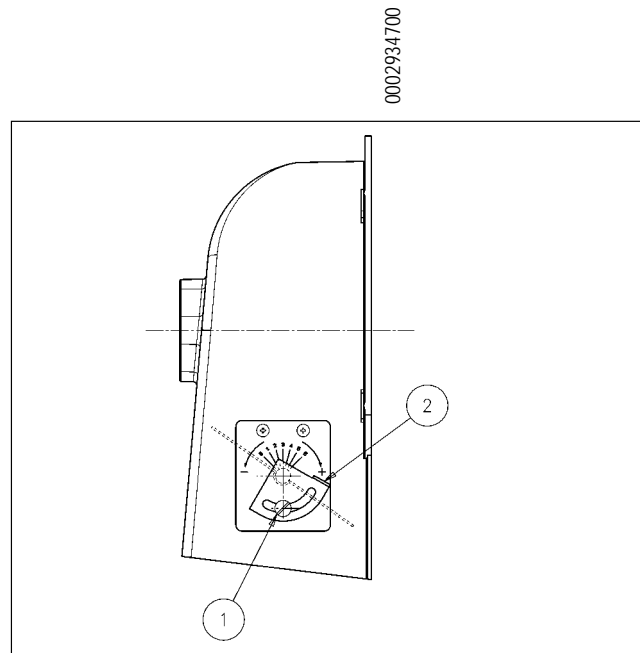
BRULEUR DE GAZ A DEUX ALLURES

Normalement, il est déconseillé de brancher, pour un fonctionnement à deux flammes effectives, un brûleur fonctionnant sur une chaudière pour la production d'eau pour le chauffage. Dans ce cas, le brûleur peut fonctionner, même pendant de longues périodes, avec une seule flamme. La chaudière est insuffisamment chargée et, par conséquent, et fumées sortent à une température excessivement basse (inférieure au point de rosée), ce qui engendre la présence d'eau de condensation dans la cheminée. Lorsque le brûleur à deux flammes est installé sur une chaudière pour la production d'eau chaude pour le chauffage, il doit être relié de façon à fonctionner, au régime normal, avec les deux flammes en s'arrêtant complètement, sans passage à la première flamme, lorsque la température prédéfinie est atteinte. Pour obtenir ce fonctionnement particulier, ne pas installer le thermostat de la deuxième flamme et, entre les bornes respectives du boîtier de commande et de contrôle, réaliser un branchement direct (pont).

SCHEMA DE REGLAGE AIR BRULEUR TBG 55 - 60 A UNE ALLURE

Pour régler l'angle d'ouverture du volet d'air, desserrer la vis (1) et intervenir sur le volant (2) en positionnant le repère dans la position désirée. Ensuite, serrer la vis pour bloquer le volet.

Position 0: volet d'air entièrement fermé.
Position 6: volet d'air entièrement ouvert.



INSTRUCTIONS POUR LA VÉRIFICATION DES CAUSES D'IRRÉGULARITÉS DANS LE FONCTIONNEMENT DES BRÛLEURS À GAZ À DEUX ALLURES ET LEUR ÉLIMINATION

IRRÉGULARITÉ	CAUSE ÉVENTUELLE	REMÈDE
<p>L'appareil va en position de " blo-cage " avec flamme (voyant rouge allumé) Panne circonscrite au dis-positif de contrôle de la flamme.</p>	<ol style="list-style-type: none"> 1) perturbation du courant d'ionisa-tion de la part du transformateur d'allu-mage 2) Détecteur de flamme (sonde ionisation) inefficace 3) Détecteur de flamme (sonde ionisation) en position incorrecte. 4) Sonde ionisation ou câble de masse respectif. 5) Connexion électrique interrompue du détecteur de flamme. 6) Tirage inefficace ou parcours des fumées bouché. 7) Disque flamme ou tête de combustion sales ou usés.. 8) Boîtier en panne. 9) Défaut d'ionisation. 	<ol style="list-style-type: none"> 1) Invertir l'alimentation (côté 230V) du transformateur d'allumage et vérifier à l'aide d'un microampère-mètre analogique. 2) Remplacer le détecteur de flamme. 3) Corriger la position du détecteur de flamme et en vérifier ensuite l'efficacité en introduisant le microampère-mètre analogique. 4) Vérifier de façon visuelle ou à l'aide d'un instrument. 5) Rétablir la connexion. 6) Contrôler que les passages fumée-chaudière/ raccord cheminée sont libres. 7) Vérifier de façon visuelle et, le cas échéant, remplacer. 8) Le remplacer. 9) Si la " masse " du boîtier n'est pas efficace, le courant d'ionisation n'apas lieu. Vérifier l'efficacité de la " masse " à la borne spécifique du boîtier et à la connexion à la " ter-re " de l'installation électrique.
<p>L'appareil va en position de " blo-cage ", le gaz sort, mais il n'y a pas de flamme (voyant rouge allumé). Panne circonscrite au circuit d'allumage.</p>	<ol style="list-style-type: none"> 1) Panne à l'intérieur du circuit d'allumage. 2) Câbleau transformateur d'allumage en contact avec à la masse. 3) Câbleau transformateur d'allumage déconnecté. 4) Transformateur d'allumage en panne. 5) La distance entre l'électrode et la masse est incorrecte. 6) Isolateur sale et donc l'électrode est en contact avec la masse. 	<ol style="list-style-type: none"> 1) Vérifier l'alimentation du transformateur d'allumage (côté 230V) et le circuit haute tension (électrode de masse ou isolateur cassé sous la borne de blocage). 2) Le remplacer. 3) Le connecter. 4) Le remplacer. 5) Corriger la distance. 6) Nettoyer ou remplacer l'isolateur et l'électrode.
<p>L'appareil va en position de " blo-cage ", le gaz sort, mais il n'y a pas de flamme (voyant rouge allumé).</p>	<ol style="list-style-type: none"> 1) Rapport air/gaz incorrect. 2) La tuyauterie du gaz n'a pas été adéquatement débarrassée de l'air (cas de premier allumage). 3) La pression du gaz est insuffisante ou excessive. 4) Passage trop étroit de l' 	<ol style="list-style-type: none"> 1) Corriger le rapport air/gaz (il y a probablement trop d'air ou peu de gaz). 2) Faire sortir l'air du tuyau du gaz en prenant les précautions nécessaires. 3) Vérifier la valeur de la pression du gaz au moment de l'allumage (utiliser un manomètre à eau, si possible). 4) Ajuster l'ouverture disque/tête.

- Перед началом эксплуатации горелки внимательно ознакомьтесь с содержанием данной брошюры “ПРЕДУПРЕЖДЕНИЯ ПОЛЬЗОВАТЕЛЮ ПО БЕЗОПАСНОЙ ЭКСПЛУАТАЦИИ ГОРЕЛКИ”, которая входит в комплект инструкции, и, которая является неотъемлемой и основной частью изделия.
- Перед пуском горелки или выполнением техобслуживания необходимо внимательно прочитать инструкции.
- Работы на горелке и в системе должны выполняться квалифицированными работниками.
- Перед осуществлением любых работ электрическое питание необходимо выключить.
- Работы, выполненные неправильным образом, могут привести к опасным авариям.

Декларация соответствия

Заявляем под нашу ответственность, что изделия с маркой "EC" Серии:

Sparkgas...; BTG...; BGN...; Minicomist...; Comist...; RiNOx..., BT...; BTL...; GI...; GI...Mist; PYR...; TS..., TBG...,

Описание:

бытовые и промышленные дутьевые горелки, работающие на жидком, газообразном и комбинированном топливе соответствуют минимальным требованиям европейских директив:

- 90/396/ЕЭС (Директива по газу)
- 92/42/ЕЭС (Директива по КПД)
- 89/336/ЕЭС (Директива по электромагнитной совместимости)
- 73/23/ЕЭС (Директива по низковольтному напряжению)
- 98/37/ЕЭС (Директива по машинному оборудованию)

спроектированы и испытаны по европейским стандартам:

- EN 676 (газообразные и комбинированные виды топлива, в отношении газа)
- EN 267 (дизельное и комбинированные виды топлива, в отношении дизельного топлива)
- EN 60335-1, 2003
- EN 50165: 1997 + A1:2001
- EN 55014 -1 (1994) и -2 (1997)

Инспектирующий орган согласно газовой директиве 90/396/ЕЭС:

CE0085 - DVGW

Вице-президент и Уполномоченный
администратор:

Доктор Риккардо Фава

ОГЛАВЛЕНИЕ	СТРАНИЦА
- Предупреждения пользователю по безопасной эксплуатации горелки	2
- Технические характеристики	4
- ЛИНИЯ ПИТАНИЯ	7
- КРЕПЛЕНИЕ ГОРЕЛКИ К КОТЛУ - МОНТАЖ ГАЗОВОЙ РАМПЫ	8
- Электрические соединения	9
- ОПИСАНИЕ ФУНКЦИОНИРОВАНИЯ	10
- БЛОК УПРАВЛЕНИЯ И КОНТРОЛЯ LME 22... ДЛЯ ГАЗОВЫХ ГОРЕЛОК	11
- Розжиг и регулировка метана	12
- Регулировка воздуха на головке горения	14
- Техобслуживание	16
- КРЕПЛЕНИЯ РАМПЫ В НАПРАВЛЕНИИ ВЕРХА - ГАЗОВАЯ ГОРЕЛКА ДВУХСТУПЕНЧАТАЯ	17
- Неисправности - Причины - Способ устранения	18
- Электрические схемы	93

ПРЕДУПРЕЖДЕНИЯ ПОЛЬЗОВАТЕЛЮ ПО БЕЗОПАСНОЙ ЭКСПЛУАТАЦИИ ГОРЕЛКИ

ВВЕДЕНИЕ

Эти предупреждения будут способствовать безопасному использованию компонентов в отопительных системах гражданского назначения и в системах производства горячей воды для хозяйственных нужд путём указания наиболее подходящих компонентов, с целью предотвращения таких ситуаций, когда по причине неправильного монтажа, ошибочного, несвойственного или необъяснимого использования изначальные безопасные характеристики данных компонентов нарушаются. Целью распространения предупреждений данного справочника является и обращение внимания пользователей на проблемы безопасности благодаря использованию хотя и технической терминологии, но доступной каждому. С конструктора снимается всякая договорная и внедоговорная ответственность за ущерб, нанесённый оборудованию по причине неправильной установки, использования и, в любом случае, несоблюдения инструкций, данных самим конструктором.

ОБЩИЕ ПРЕДУПРЕЖДЕНИЯ

- Инструкция по эксплуатации является неотъемлемой частью изделия и должна всегда передаваться в руки пользователя. Внимательно прочитайте предупреждения в инструкции, так как в них содержатся важные указания по установке, эксплуатации и техобслуживанию в условиях полной безопасности. Бережно храните инструкцию для дальнейших консультаций.
- Установку должен выполнять профессионально подготовленный специалист с соблюдением действующих норм и в соответствии с инструкциями, данными конструктором. Под профессионально подготовленным специалистом нужно понимать работника, который технически компетентен в области компонентов отопительных систем гражданского назначения и систем с подготовкой горячей воды для хозяйственных нужд и, в частности, сервисные центры, авторизованные конструктором. Неправильно выполненная установка может нанести ущерб людям, животным или предметам, за что конструктор ответственности не несёт.
- Сняв упаковку, проверьте целостность содержимого. В случае появления сомнений рекомендуется обратиться к поставщику, а само изделие не трогать. Элементы упаковки: деревянная клеть, гвозди, скобы, пластиковые пакеты, пенополистирол и т.д. нельзя оставлять в доступном для детей месте, так как они представляют собой источник опасности. Кроме того, для предотвращения загрязнения окружающей среды их необходимо собрать и отвезти в специальные пункты, предназначенные для этой цели.
- Перед выполнением любой операции по чистке или техобслуживанию необходимо отключить изделие от сети питания при помощи выключателя системы и/или используя специальные отсечные устройства.
- В случае неисправности и/или неисправного функционирования аппарата отключите его. Не пытайтесь самостоятельно починить его. Следует обратиться за помощью исключительно к квалифицированному специалисту. Возможный ремонт изделия должен быть выполнен только в сервисном центре, который получил разрешение от завода "BALTUR", и с использованием исключительно оригинальных запасных частей. Несоблюдение данного условия может нарушить безопасность аппарата. Для обеспечения эффективности аппарата и его исправного функционирования необходимо, чтобы квалифицированные работники осуществляли регулярное техобслуживание с соблюдением указаний, данных конструктором.
- При продаже изделия или его передаче в другие руки, а также в случае, когда Вы переезжаете и оставляете изделие, убедитесь в том, что инструкция всегда находится с аппаратом. Это необходимо для того, чтобы новый хозяин и/или монтажник смогли обратиться к ней в случае потребности.
- Для всех аппаратов с дополнительными опциями или комплектами, включая электрические, необходимо использовать только оригинальные аксессуары.

ГОРЕЛКИ

- Данный аппарат должен использоваться исключительно по **предусмотренному назначению**: вместе с котлом, теплогенератором, печью или с другой подобной топкой, которые размещаются в защищённом от атмосферных факторов помещении. Любой другой вид использования считается несвойственным и, следовательно, опасным.
- Горелка должна устанавливаться в подходящем помещении, имеющем минимальное количество вентиляционных отверстий, как предписано действующими нормативами, и в любом случае, достаточными для получения качественного горения.
- Не загромождайте и не уменьшайте вентиляционные отверстия помещения, в котором стоит горелка или котёл, с целью предупреждения опасных ситуаций, таких как формирование токсичных и взрывоопасных смесей.
- Перед выполнением подключений горелки проверьте, что данные на табличке соответствуют данным питающей сети (электрическая, газовая, для дизельного или другого вида топлива).
- Не дотрагивайтесь до горячих деталей горелки, обычно находящихся вблизи пламени и системы подогрева топлива, которые нагреваются во время функционирования и остаются под температурой даже после недлительного останова горелки.
- В случае если принято решение об окончательном неиспользовании горелки необходимо, чтобы квалифицированный работник выполнил следующие операции:
 - a) Отключил электрическое питание путём отсоединения питательного кабеля главного выключателя.
 - b) Прекратил подачу топлива при помощи ручного отсечного крана и вынул маховички управления с гнёзд.
 - c) Обезопасил те детали, которые являются потенциальными источниками опасности.

Особые предупреждения

- Убедитесь в том, что человек, выполнивший установку горелки, прочно зафиксировал её к теплогенератору так, чтобы образовывалось пламя внутри камеры сгорания самого генератора.
- Перед розжигом горелки и хотя бы раз в год необходимо, чтобы квалифицированный работник выполнил следующие операции:
 - a) Настроил расход топлива горелки, учитывая требуемую мощность теплогенератора.
 - b) Отрегулировал подачу воздуха для горения и получил такое значение КПД, которое хотя бы равнялось минимально установленному действующими нормативами.
 - c) Осуществил контроль горения с тем, чтобы предотвратить образование вредных и загрязняющих окружающую среду несгоревших продуктов в размерах, превышающих допустимые пределы, установленные действующими нормативами.
 - d) Проверил функциональность регулировочных и защитных устройств.
 - e) Проверил правильное функционирование трубопровода, выводящего продукты горения.
 - f) По завершению операций по регулировке проверил, что все механические стопорные системы регулировочных устройств хорошо затянуты.
 - g) Убедился в том, что в помещении, где стоит котёл, имеются необходимые инструкции по эксплуатации и техобслуживанию горелки.
- В случае частых блокировок горелки не следует заикиваться на восстановлении функционирования вручную, лучше обратиться за помощью к специалистам для разъяснения аномальной ситуации.
- Работать с горелкой и заниматься техобслуживанием должен исключительно квалифицированный персонал, который будет действовать в соответствии с предписаниями действующих нормативов.

ПРЕДУПРЕЖДЕНИЯ ПОЛЬЗОВАТЕЛЮ ПО БЕЗОПАСНОЙ ЭКСПЛУАТАЦИИ ГОРЕЛКИ

ЭЛЕКТРИЧЕСКОЕ ПИТАНИЕ

- Электрической безопасности аппарата можно достичь только при его правильном соединении с надёжным заземляющим устройством, которое выполняется с соблюдением действующих норм по технике безопасности. Необходимо в обязательном порядке проверить это основное требование по обеспечению безопасности. При возникающих сомнениях необходимо запросить у квалифицированного работника, чтобы он произвёл тщательный осмотр электрической установки, так как конструктор не отвечает за возможный ущерб, нанесённый по причине отсутствия заземления установки.
- Пусть квалифицированный специалист проверит соответствие электрической установки максимально поглащаемой мощности аппарата, которая указывается на его табличке, в частности, необходимо убедиться в том, что сечение кабелей системы подходит поглащаемой мощности аппарата.
- Для главного питания аппарата от электрической сети не разрешается использовать переходники, многоконтактные соединители и/или удлинители.
- Для соединения с сетью необходимо предусмотреть многополюсный выключатель, как предписано действующими нормативами по безопасности.
- Электрическое питание горелки должно предусматривать соединение нейтрали с землёй. При проверке тока ионизации в тех условиях, когда нейтраль не соединена с землёй, необходимо подсоединить между клеммой 2 (нейтраль) и землёй контур RC.
- Пользование любым компонентом, потребляющим электроэнергию, приводит к соблюдению некоторых важных правил, а именно:
 - Не дотрагиваться до аппарата мокрыми или влажными частями тела и/или если ноги влажные.
 - Не тянуть электрические кабели.
 - Не выставлять аппарат под воздействие атмосферных факторов, таких как дождь, солнце и т. д., за исключением тех случаев, когда это предусмотрено.
 - Не разрешать использовать аппарат детям или людям без опыта.
- Пользователь не должен сам заменять питающую кабель аппарата. При повреждении кабеля, выключите аппарат и для его замены обратитесь за помощью исключительно к квалифицированным работникам.
- Если принято решение о неиспользовании аппарата в течении определённого отрезка времени уместно отключить электрический выключатель, питающий все компоненты установки (насосы, горелка и т. д.).

ПОДАЧА ГАЗА, ДИЗЕЛЬНОГО ИЛИ ДРУГОГО ВИДА ТОПЛИВА

ОБЩИЕ ПРЕДУПРЕЖДЕНИЯ

- Установку горелки должен выполнять квалифицированный специалист в соответствии с действующими стандартами и предписаниями, так как неправильно выполненная работа может нанести ущерб людям, животным или предметам, за что конструктор ответственности не несёт.
- Перед началом монтажа следует тщательно очистить внутреннюю часть топливоподводящих трубопроводов для того, чтобы удалить возможные остатки производства, которые могут нарушить исправное функционирование горелки.
- Перед первым розжигом аппарата попросите квалифицированного специалиста, чтобы он выполнил следующие контрольные операции:
 - a) Проверил герметичность внутренней и наружной части топливоподводящих трубопроводов;
 - b) Отрегулировал расход топлива с учётом требуемой мощности горелки;
 - c) Проверил, что используемое топливо подходит для данной горелки;
 - d) Проверил, что давление подачи топлива входит в пределы значений, приведённых на табличке горелки;
 - e) Проверил, что размеры топливоподающей системы подходят к требуемой производительности горелки и присутствуют все защитные и контрольные устройства, использование которых предусмотрено действующими нормативами.
- В случае если принято решение о неиспользовании горелки на определённый отрезок времени необходимо перекрыть кран или топливоподводящие краны.

Особые предупреждения по использованию газа

- Необходимо, чтобы квалифицированный специалист проконтролировал, что
 - a) подводящая линия и рампа соответствуют действующим нормам.
 - b) все газовые соединения герметичны;
- Не используйте газовые трубы для заземления электрических аппаратов!
- Не оставляйте включённым аппарат, когда Вы им не пользуетесь - всегда закрывайте газовый кран.
- В случае длительного отсутствия пользователя аппарата необходимо закрыть главный кран, подающий газ к горелке.
- Почувствовав запах газа:
 - a) не включайте электрические выключатели, телефон или любые другие искрообразующие предметы;
 - b) сразу же откройте двери и окна для проветривания помещения;
 - c) закройте газовые краны;
 - d) обратитесь за помощью к квалифицированному специалисту.
- Не загромождайте вентиляционные отверстия в помещении газового аппарата для предотвращения опасных ситуаций, таких как образование токсичных и взрывоопасных смесей.

ДЫМОХОДЫ ДЛЯ КОТЛОВ С ВЫСОКИМ КПД И ИМ ПОДОБНЫЕ

Уместно уточнить, что котлы с высоким КПД и им подобные, выбрасывают в камин продукты сгорания, которые имеют относительно небольшую температуру. Для приведённой выше ситуации обычно подбираемые традиционные дымоходы (сечение и теплоизоляция) могут не гарантировать исправное функционирование, потому что значительное охлаждение продуктов сгорания при прохождении дымохода, вероятнее всего, может вызвать опускание температуры даже ниже точки конденсатообразования. В дымоходе, который работает в режиме конденсатообразования, на участке выпускного отверстия присутствует сажа если сжигается дизельное топливо или мазут, а, когда сжигается газ (метан, СНГ и т. д.), вдоль дымохода выступает конденсатная вода. Из вышеизложенного следует вывод, что дымоходы, соединяемые с котлами высокого КПД и им подобные, должны быть правильно подобранными (сечение и теплоизоляция) с учётом специфического назначения для предотвращения отрицательной ситуации, описанной выше.

ТЕХНИЧЕСКИЕ ХАРАКТЕРИСТИКИ

		TBG 45	TBG 45P	TBG 60	TBG 60P	
ТЕПЛОВАЯ МОЩНОСТЬ	макс. кВт	450		600		
	мин кВт	100		120		
ФУНКЦИОНИРОВАНИЕ		Одноступенчатая	Двухступенчатая	Одноступенчатая	Двухступенчатая	
ВЫБРОСЫ NOx		мг/кВтч < 80 (класс II в соответствии с EN 676)				
ДВИГАТЕЛЬ	кВтч	0,50		0,75		
	об/мин.	2730		2800		
ЭЛЕКТРИЧЕСКАЯ ПОГЛОЩАЕМАЯ ОЩНОСТЬ*	кВт	0,67	0,69	0,93	0,96	
ПРЕДОХРАНИТЕЛЬ линии	A / 400 V	--		4		
ТРАНСФОРМАТОР РОЗЖИГА		26 kV - 40 mA - 230/240 V - 50/60 Hz				
НАПРЯЖЕНИЕ		1N ~ 230 V ± 10%- 50 Hz		3N ~ 400 V ± 10%- 50 Hz		
КЛАСС ЗАЩИТЫ		IP 44				
ДЕТЕКТОР ПЛАМЕНИ		ЗОНД ИОНИЗАЦИИ				
УРОВЕНЬ ШУМА **	дБА	73		75		
ВЕС	кг	40		42		
Природный газ (G 20)						
РАСХОД	макс	м³н/ч	45,3		60,3	
	мин	м³н/ч	10,1		12,1	
ДАВЛЕНИЕ	МАХ	mbar		360		

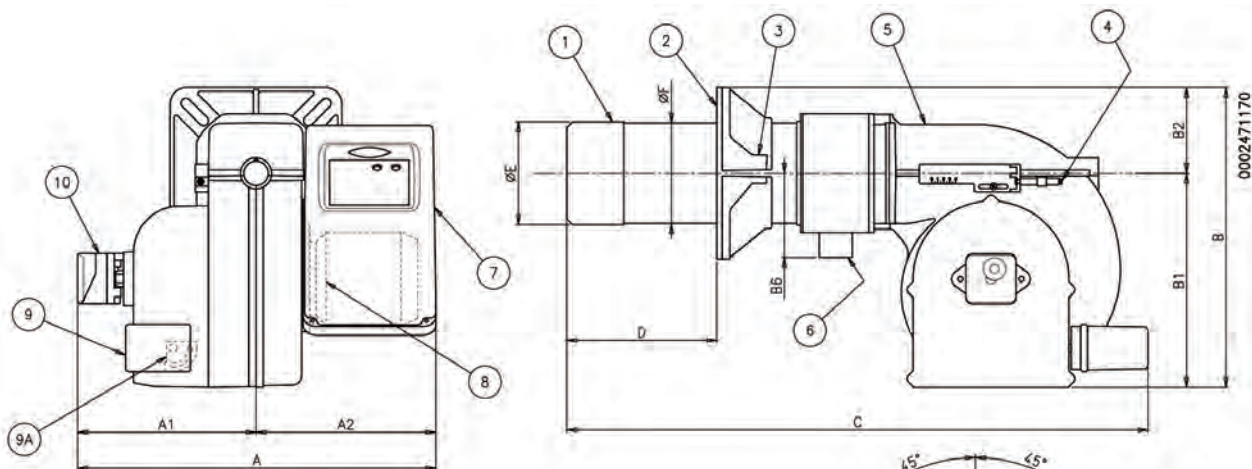
*) Полное поглощение на фазе пуска с включенным трансформатором розжига.

***) Звуковое давление, измеренное в лаборатории конструктора на испытательном котле, работающем на максимальной номинальной мощности.

АКСЕССУАРЫ В КОМПЛЕКТЕ

	TBG 45	TBG 45P	TBG 60	TBG 60P
СОЕДИНИТЕЛЬНЫЙ ФЛАНЕЦ ГОРЕЛКИ	2	2	2	2
УПЛОТНИТЕЛЬНАЯ ПРОКЛАДКА	1	1	1	1
УСТАНОВОЧНЫЕ ШТИФТЫ	N° 4 M 12	N° 4 M 12	N° 4 M 12	N° 4 M 12
ГАЙКИ	N° 4 M 12	N° 4 M 12	N° 4 M 12	N° 4 M 12
ПЛОСКИЕ ШАЙБЫ	N° 4 Ø 12	N° 4 Ø 12	N° 4 Ø 12	N° 4 Ø 12

ТЕХНИЧЕСКИЕ ХАРАКТЕРИСТИКИ



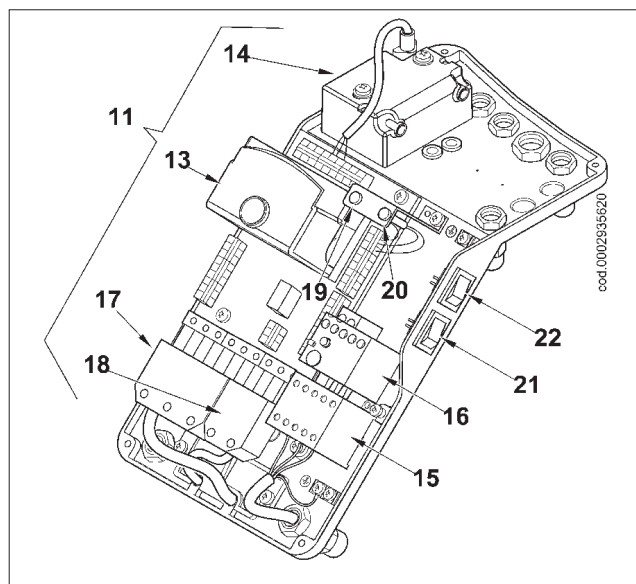
TBG 45
TBG 45P
TBG 45PN
TBG 45ME
TBG 60
TBG 60P
TBG 60PN
TBG 60ME

- 1) Головка горения
- 2) Прокладка
- 3) Соединительный фланец горелки
- 4) Устройство регулировки головки
- 5) Крышка корпуса
- 6) Фланец соединения газовой рампы
- 7) Электрический щит
- 8) Двигатель
- 9) Серводвигатель для регулировки воздуха
- 9a) Регулировка воздуха вручную (TGB 55)

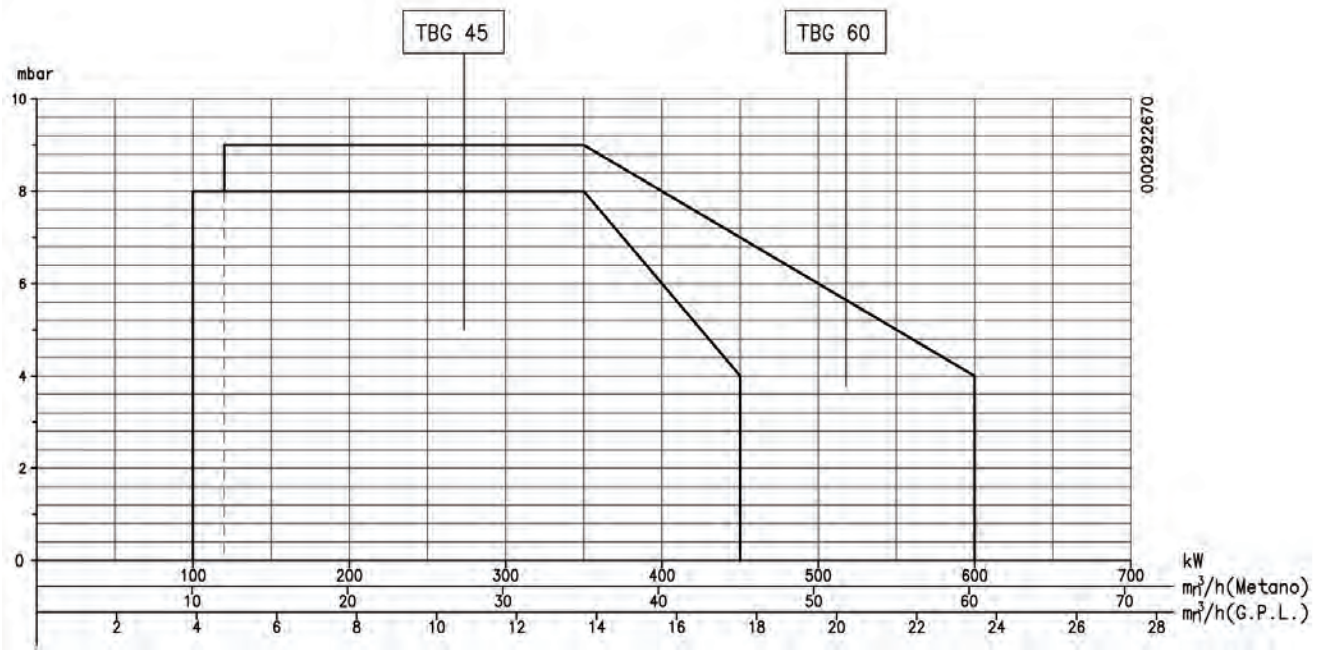
МОД.	A	A1	A2	B	B1	B6	C	D		E	F	I	L		M	N
								мин	макс.				мин	макс.		
TBG 45	550	270	280	435	325	160	880	140	300	137	133	215	200	245	M12	145
TBG 45P	550	270	280	435	325	160	920	140	300	137	133	215	200	245	M12	145
TBG 60	550	270	280	455	325	160	880	140	300	156	152	260	225	300	M12	160
TBG 60P	550	270	280	455	325	160	920	140	300	156	152	260	225	300	M12	160

КОМПОНЕНТЫ ЭЛЕКТРИЧЕСКОГО ЩИТА

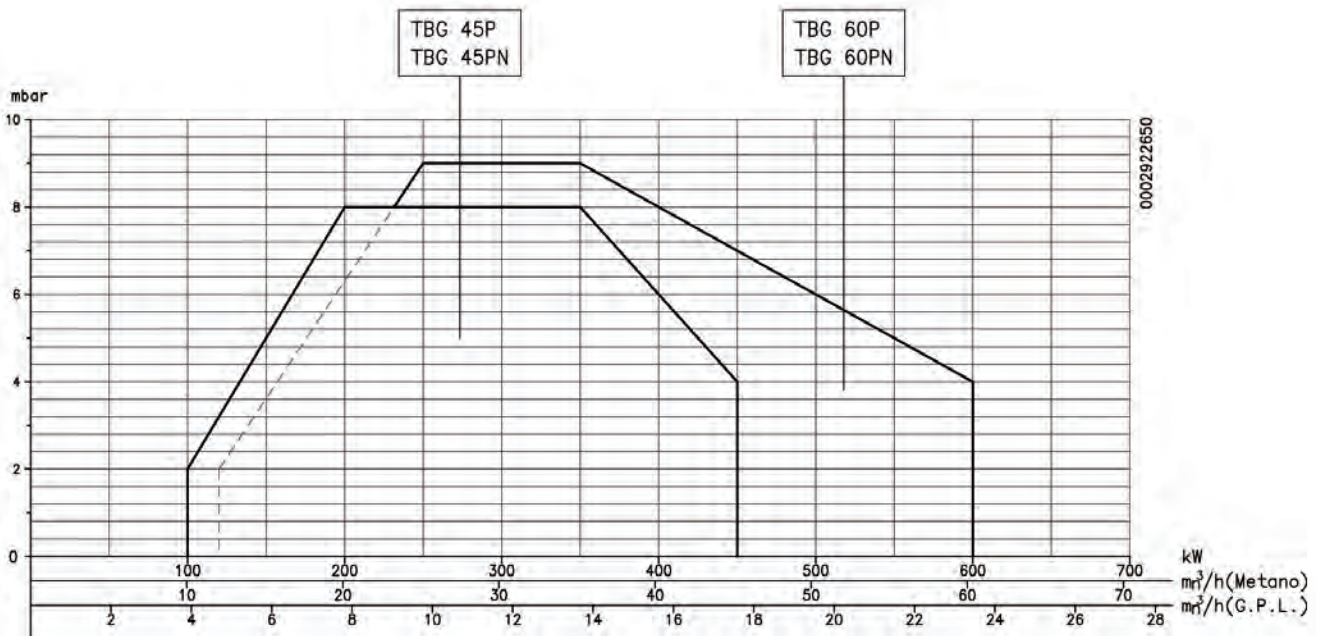
- 13) Блок управления
- 14) Трансформатор розжига
- 15) Контактор двигателя (Только с трёхфазным питанием)
- 16) Термореле (Только с трёхфазным питанием)
- 17) 7-штырьковый разъём
- 18) 4-штырьковый разъём
- 19) Led bruciatore acceso
- 20) Светодиод горелки в пол. блокировки
- 21) Кнопка деблокировки
- 22) ВЫКЛЮЧАТЕЛЬ ПУСК-ОСТАНОВ



РАБОЧИЙ ДИАПАЗОН TBG 45 / 60 ОДНОСТУПЕНЧАТАЯ



РАБОЧИЙ ДИАПАЗОН TBG 45P / 60P Двухступенчатая



Рабочие диапазоны получены на испытательных котлах в соответствии с нормативами EN 676 и являются приблизительными для подбора горелки к котлу. Для правильного функционирования горелки размеры камеры сгорания должны соответствовать действующей норме, в противном случае, обращайтесь к конструктору.

ЛИНИЯ ПИТАНИЯ

Принципиальная схема линии питания газа приводится на рисунке снизу. Газовая рампа сертифицирована в соответствии со стандартом EN 676 и поставляется клиенту отдельно от горелки.

Перед газовым клапаном необходимо установить ручной отсечной кран и вибровставку, смотрите схему для их правильного расположения.

В случае если на газовой рампе регулятор давления не встроен в моноблочный клапан, считаем полезным привести некоторые практические рекомендации по установке дополнительных принадлежностей на газовом трубопроводе вблизи от горелки:

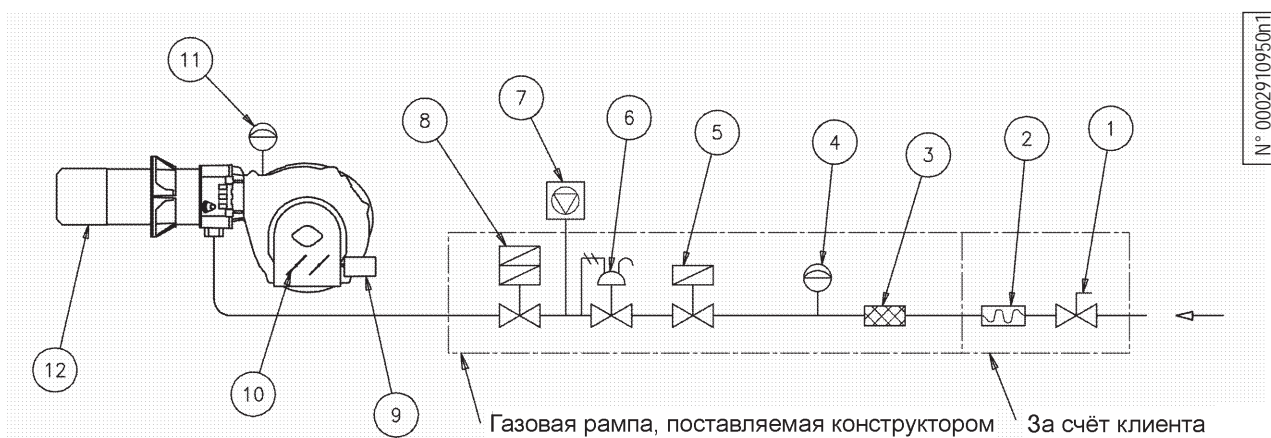
1) Для предотвращения сильных падений давления при включении, необходимо предусмотреть отрезок трубопровода

длиной 1,5-2 метра между точкой установки стабилизатора/редуктора давления и горелкой. Данная труба должна иметь одинаковый или больший диаметр, чем соединительный патрубок горелки.

2) Для большей эффективности регулятора давления уместно монтировать его на горизонтальном трубопроводе после фильтра. Регулятор давления газа должен регулироваться в то время, как он работает на максимальной подаче, действительно используемой горелкой.

Давление на выходе должно регулироваться на значение, меньшее максимального выдаваемого расхода (расход, который получается откручиванием винта регулировки до концевого стопора); для особых случаев - закручивание винта регулировки приведёт к увеличению давления на выходе регулятора, откручивание - к уменьшению.

ПРИНЦИПАЛЬНАЯ СХЕМА ГАЗОВОЙ ГОРЕЛКИ



Обозначения

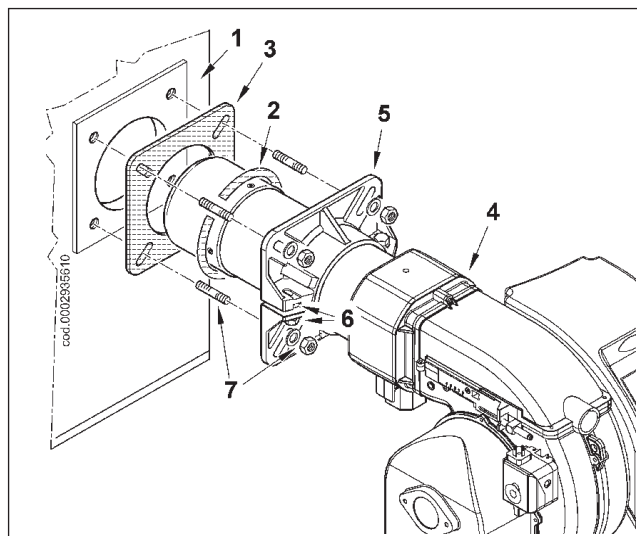
- | | |
|--|--|
| 1) Ручной отсечной клапан | 7) Блок контроля герметичности клапанов (обязателен для горелок с номинальной максимальной тепловой мощностью выше 1200 кВт) |
| 2) Вибровставка | 8) Рабочий клапан 2-х ступеней |
| 3) Газовый фильтр | 9) Сервопривод управления |
| 4) Прессостат минимального давления газа | 10) Заслонка регулировки воздуха |
| 5) Предохранительный клапан | 11) Воздушный прессостат |
| 6) Регулятор давления | 12) Головка горения |

КРЕПЛЕНИЕ ГОРЕЛКИ К КОТЛУ

МОНТАЖ УЗЛА ГОРЕЛКИ

- Поместите на стакане изоляционную прокладку 3, а между фланцем и прокладкой проложите шнур.
- ослабьте винты "6", соединительный фланец "5" разместите так, чтобы головка горения вошла в топку на длину, рекомендуемую изготовителем генератора.
- Закрепите горелку 4 к котлу при помощи шпилек, шайб и соответствующих гаек из комплекта поставки 7.

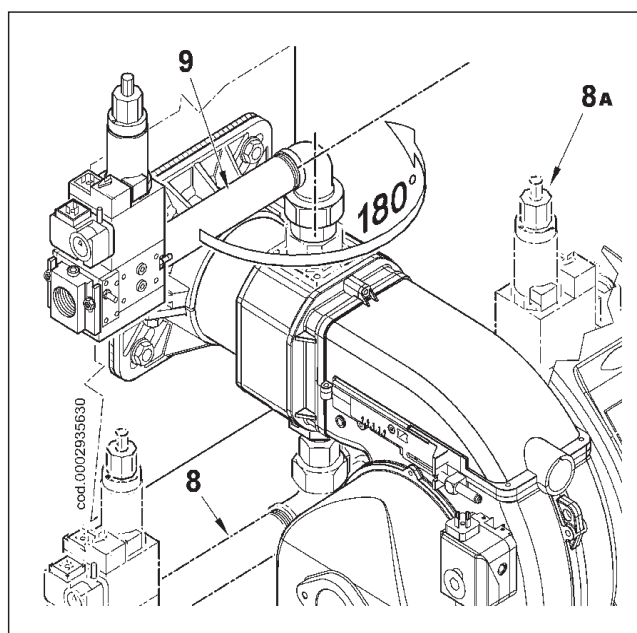
ПРИМ. Полностью запломбируйте подходящим материалом расстояние между стаканом горелки и огнеупорным отверстием внутри дверцы котла.



МОНТАЖ ГАЗОВОЙ РАМПЫ

Имеется несколько монтажных решений (8, 8а и 9) для рамп, как отмечено на рисунке сбоку. Горелка поставляется с креплением для газовой рамп, обращённым вниз. Если нужно поменять подводящее отверстие рамп для монтажа клапанного узла как на конфигурации 9, выполните процедуру, которая описывается в параграфе "Крепление рамп в направлении вверх".

Выберите наиболее рациональный вариант, учитывая структуру рабочего помещения котла и откуда идёт газовый трубопровод.



ЭЛЕКТРИЧЕСКИЕ СОЕДИНЕНИЯ

На 3-фазной линии питания должны иметься выключатели с предохранителями. Кроме этого, нормативами предусмотрено наличие выключателя на линии питания горелки. Данный выключатель должен устанавливаться с наружной стороны котельной в наиболее удобном и легкодоступном месте. При выполнении электрических соединений (линия и термостаты) придерживайтесь указаний на электрической схеме в приложении. Для соединения горелки с линией питания осуществите следующее::

- Открутите 4 винта (1), как показано на рисунке 1. Снимите крышку для получения доступа к щиту управления горелки.
- Ослабьте винты (2) для снятия зажимной пластинки проводов (3), проденьте через отверстия два разъёма 7-штырьковый и 4-штырьковый, как на рисунке 2. Если горелка трёхфазная, соедините питающие провода (4) к дистанционному выключателю, закрепите заземляющий провод (5) и затяните соответствующий хомут.
- Установите зажимную пластинку, как на рисунке 3. Поверните эксцентрик (6) так, чтобы пластинка должным образом надавила на два провода, после этого закрутите винты фиксации пластинки. Наконец, соедините два разъёма, 7-ми- и 4-штырьковый (смотрите рисунок 4).

ПРИМЕЧАНИЕ! Гнёзда кабелей 7-штырькового и 4-штырькового разъемов предусмотрены для кабеля диам. 9,5-10 мм и диам. 8,5-9 мм. Это позволяет достигнуть класс защиты IP 44 (Норма CEI EN60529) в отношении электрического щита.

- Avvitare le 4 viti (1) esercitando una coppia di serraggio adeguata ad assicurare la corretta tenuta, per richiudere il coperchio del quadro elettrico.

Примечание! Открытие электрического щита разрешено исключительно квалифицированным специалистам.

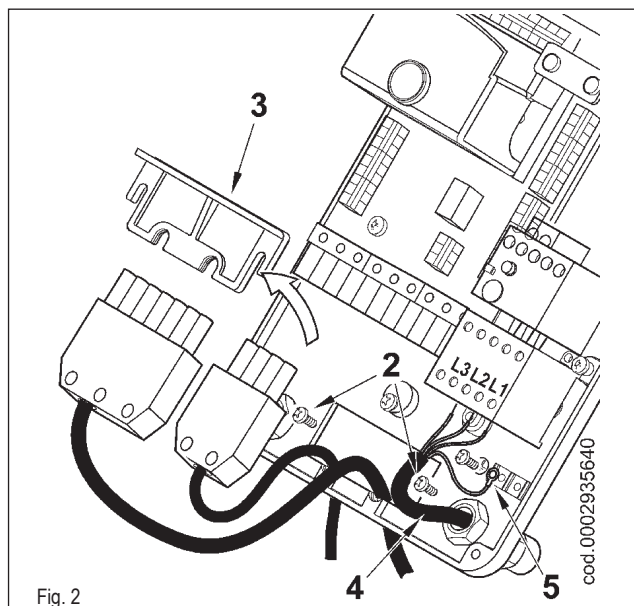


Fig. 2

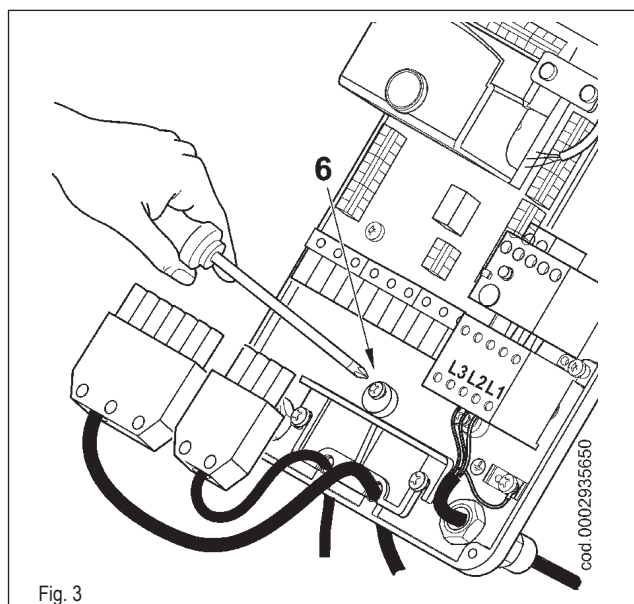


Fig. 3

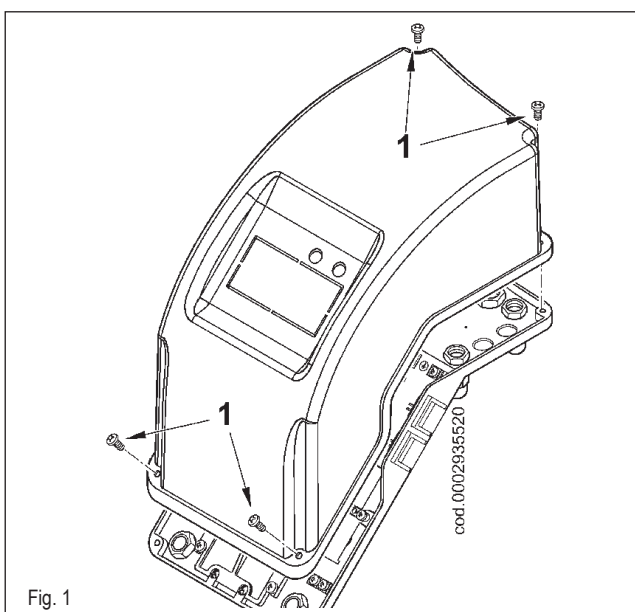


Fig. 1

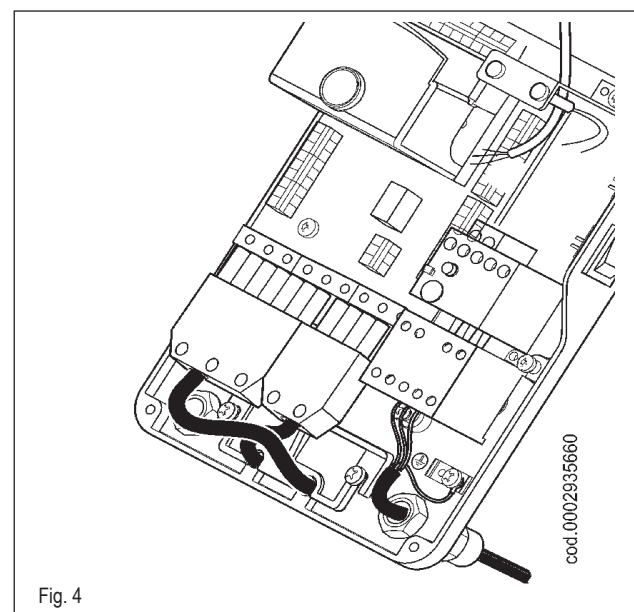


Fig. 4

ОПИСАНИЕ ФУНКЦИОНИРОВАНИЯ ТВГ 45 / 60

При замыкании главного выключателя и выключателя I/O (22) на электрическом щите, и если замкнуты термостаты, напряжение доходит до блока управления и контроля, который в свою очередь запускает горелку (загорание светодиода 19).

Так подключится двигатель вентилятора для продувания камеры сгорания.

Вслед за ним сработает трансформатор розжига и после 2 секунд откроются газовые клапаны.

Главный клапан, двухступенчатый, оснащён устройством, регулирующим подачу газа для первой и второй ступеней.

Вариант исполнения клапана безопасности - ВКЛ./ВЫКЛ.

Воздух для горения настраивается вручную специальной воздушной заслонкой (смотрите параграф "Схема регулировки воздуха для одноступенчатой горелки ТВГ 45-60").

Так как вариант исполнения горелки ВКЛ./ВЫКЛ. положение воздушной заслонки должно обязательно настраиваться на функционирование на максимальном расходе.

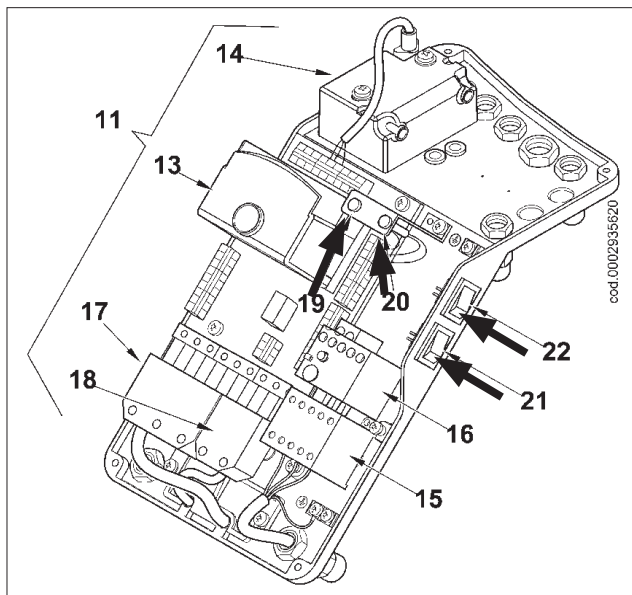
Наличие пламени, которое обнаруживается контрольным устройством, позволяет продолжить и завершить розжиговую фазу с отключением трансформатора розжига.

Вслед за этим загорается пламя второй ступени (открытие второй ступени главного клапана).

Если пламени нет, блок управления за 3 секунды с момента открытия главного клапана на первой ступени останавливается в положении защитной блокировки (загорается светодиод 20).

В случае защитной блокировки клапаны сразу же закрываются.

Для деблокировки блока управления нужно нажать на кнопку (21) на электрическом щите.



ОПИСАНИЕ ФУНКЦИОНИРОВАНИЯ ТВГ 45P - 60P

При замыкании главного выключателя и выключателя I/O (22) на электрическом щите и, если замкнуты термостаты, напряжение доходит до блока управления и контроля, который в свою очередь запускает горелку (загорание светодиода 19).

Так подключается двигатель вентилятора для предпродувки камеры сгорания. Одновременно с этим сервопривод управления воздушной заслонкой помещается в положение открытия (вторая ступень), поэтому эта фаза осуществляется в положении второго пламени.

По окончании фазы предпродувки воздушная заслонка помещается в положение первого пламени. Подключается трансформатор розжига, а через 2 секунды открываются газовые клапаны.

Главный клапан, двухступенчатый, оснащён устройством, регулирующим подачу газа для первой и второй ступеней.

Вариант исполнения клапана безопасности - ВКЛ./ВЫКЛ.

Воздушная заслонка приводится в действие специальным электрическим сервоприводом (смотрите 0002934711).

Имейте ввиду, что останов горелки по причине срабатывания термостата приведёт к тому, что сервопривод поместит воздушную заслонку в положение закрытия.

Наличие пламени, которое обнаруживается контрольным устройством, позволяет продолжить и завершить розжиговую фазу с отключением трансформатора розжига.

Вслед за этим загорается второе пламя (увеличивается количество поступающего воздуха, открывается вторая ступень главного клапана).

Если пламени нет, блок управления за 3 секунды с момента открытия главного клапана на первой ступени останавливается в положении защитной блокировки (загорается светодиод 20).

В случае защитной блокировки клапаны сразу же закрываются.

Для деблокировки блока управления нужно нажать на кнопку (21) на электрическом щите.

Блок управления или программатор	Время безопасности	Время предпродувки	Пред-розжига	Пост-розжига	Время между открытием клапана 1-й ступени и 2-ой ступени	Время ход открытия заслонки	Время ход закрытия заслонки
	с	с	с	с	с	с	с
LME 22.331A2	3	30	2	2	11	12	12
LME 22.233A2	3	30	2	2	11	30	30

БЛОК УПРАВЛЕНИЯ И КОНТРОЛЯ LME 22... ДЛЯ ГАЗОВЫХ ГОРЕЛОК

Указание При пуске, указание на состояние происходит на основании следующей таблицы:
рабочее состояние

Таблица цветовых кодов для яркого многоцветного индикатора (СВЕТОДИОДА)		
Состояние	Цветовой код	Цвет
Время ожидания "tw", другие режимы ожидания	○.....	Выключ.
Фаза розжига, контролируемый розжиг	● ○ ● ○ ● ○ ● ○ ● ○	Жёлтый мигающий
Функционирование, пламя в порядке	○.....	Зелёный
Функционирование, пламя не в порядке	● ○ ● ○ ● ○ ● ○ ● ○	Зелёный мигающий
Странный свет при пуске горелки	■ p ■ p ■ p ■ p ■ p ■ p ■ p ■ p	Зеленый-красный
Недостаточное напряжение	● p ● p ● p ● p ● p	Жёлтый-красный
Неисправность, аварийный сигнал	p.....	Красный
Появление кода ошибки (см. "таблица кодов ошибок")	p ○ p ○ p ○ p ○	Красный мигающий
Диагностирование интерфейса	p p p p p p p p	Мерцающий красный свет

Обозначения ... Включ. фиксирован. p Красный
○ Выключ. ● Жёлтый
 ■ Зелёный

Функционирование, индикация, диагностирование (следует за предыдущей страницей)

Диагностирование причины неисправности

После блокировки, индикатор неисправности остаётся гореть фиксированным цветом. В этих условиях можно запустить процесс зрительного диагностирования причины неисправности на основании таблицы кодов ошибок. Для этого нажмите в течение чуть больше 3 секунд кнопку восстановления. Повторно нажав кнопку восстановления работы в течение, как минимум, 3 секунд, подключиться диагностирование интерфейса.

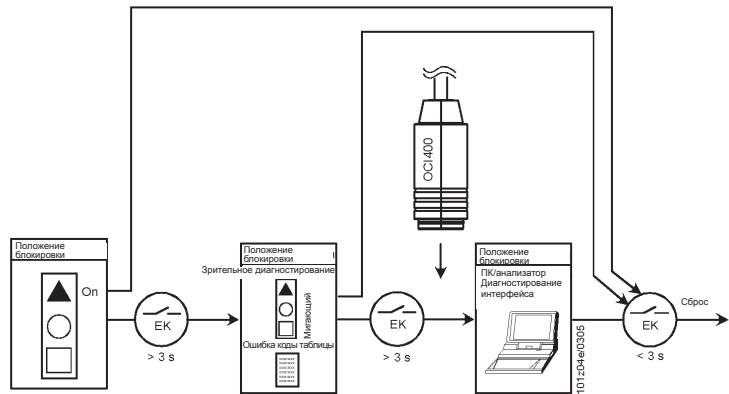


Таблица кодов ошибок

Красный мигающий код индикатора (СВЕТОДИОДА)	«AL» на терминале 10	Возможная причина
2 мигания ● ●	Включ.	Нет пламени по истечению "TSA" (безопасное время при розжиге) - Топливные клапаны неисправны или грязные - Детектор пламени неисправен или загрязнён - Неправильно выполнена регулировка горелки, нет топлива - Устройство розжига неисправно
3 мигания ● ● ●	Включ.	"LP" (воздушный прессостат) неисправен - Сигнал давления воздуха отсутствует или неправилен по завершении "t10" - "LP" приварен в нормальном положении
4 мигания ● ● ● ●	Включ.	Странный свет при пуске горелки
5 миганий ● ● ● ● ●	Включ.	Тайм-аут "LP" - "LP" приварен в рабочем положении
6 миганий ● ● ● ● ● ●	Включ.	Не используется
7 миганий ● ● ● ● ● ● ●	Включ.	Слишком большие потери пламени во время функционирования (ограничение повторений) - Топливные клапаны неисправны или грязные - Датчик пламени неисправен или загрязнён - Неправильная регулировка горелки
8 миганий ● ● ● ● ● ● ● ●	Включ.	Не используется
9 миганий ● ● ● ● ● ● ● ● ●	Включ.	Не используется
10 миганий ● ● ● ● ● ● ● ● ● ●	Выключ.	Ошибка в электрических соединениях или внутренняя ошибка, контакты выхода, другие неисправности

Во время выполнения диагностирования причины неисправности контрольные выходы отключены

- Горелка остаётся в отключенном положении
- Индикация внешней неисправности остаётся деактивированной
- Сигнал состояния неисправности "AL" на терминале 10, на основании таблицы кодов ошибок

Для выхода из режима диагностирования причины неисправности и включения горелки сбросьте команду горелки. Нажмите кнопку восстановления работы в течение около 1 секунды (< 3 секунд).

РОЗЖИГ И РЕГУЛИРОВКА МЕТАНА

- 1) Убедитесь в том, что в котле есть вода и, что вентили системы открыты.
- 2) Убедитесь на все сто процентов, что продукты сгорания проходят без всяких помех (вентили котла и дымохода открыты).
- 3) Проверьте, что напряжение электрической линии соответствует напряжению, выдерживаемому горелкой. При выполнении электрических соединений двигателя и главной линии должно учитываться имеющееся напряжение. Проверьте, что на месте правильно выполнены все электрические соединения, как указано на нашей электрической схеме. Чтобы исключить вторую ступень отсоедините 4-х штырьковый разъём (18) от электрического щита (0002935620) для горелок TBG 45P-60P; для моделей TBG 45 60 отсоедините провод клеммы 5 на клеммнике печатной схемы, подающим питание на катушку Y2.
- 4) Отрегулируйте воздух для розжигового пламени:
 - для горелок TBG 45P - 60P с электрическим сервоприводом, выполните указания, данные на карточке 0002934711;
 - для горелки TBG 45 - 60 с ручной регулировкой, настройки пламени выполняйте на основании инструкций, приведённых в параграфе "Схема регулировки воздуха для одноступенчатой горелки TBG 45-60".
- 5) Используйте устройство регулировки газового клапана.

Откройте регулятор расхода первого пламени на такое значение, которое считаете подходящим (смотрите инструкции на газовый клапан с двумя ступенями той модели, которая монтирована на горелке). Если имеется, нужно полностью открыть регулятор расхода клапана безопасности.
- 6) Что касается моделей с трёхфазным питанием, то, с выключателем I/O (22) щита горелки (см. рис. 0002935620) в положении "О" и замкнутым главным выключателем, проверьте, вручную замыкая дистанционный выключатель, что двигатель вращается в правильном направлении. При необходимости поменяйте местами два провода линии, подающей питание на двигатель, для инвертирования направления вращения.
- 7) Теперь подключите выключатель (22) щита горелки. Блок управления получит напряжение, а программатор задействует горелку, как описано в главе "Описание функционирования". Во время фазы предподувки необходимо проверить, что контрольный прессостат давления воздуха меняет положение (от замкнутого положения без обнаружения давления переходит в замкнутое положение с обнаружением давления воздуха). Если воздушный прессостат не обнаруживает достаточное давление ни трансформатор розжига ни газовые клапаны не включатся и блок управления остановится в положении блокировки. При первом розжиге могут наблюдаться блокировки по следующим причинам:
 - a) Не в достаточной степени был выпущен воздух из газового трубопровода и количества газа не хватает для обеспечения стабильного пламени.
 - b) Блокировка с наличием пламени может возникнуть из-за его нестабильности в зоне ионизации в связи с неправильным соотношением воздуха/газа. Устранить ситуацию можно изменением подаваемого количества воздуха и/или газа до нахождения правильного соотношения. Та же ситуация может наблюдаться из-за неправильного распределения газозвушной смеси на головке горения. Устройством регулировки головки больше закройте или откройте воздушный зазор между головкой и диффузором.
 - c) Может так случиться, что ток разряда трансформатора розжига препятствует току ионизации (у двух токов один маршрут на "массу" горелки), поэтому горелка блокируется из-за недостаточной ионизации. Исправить положение можно путём перемены питания (сторона 230 В) трансформатора розжига (поменять местами два провода, подающих питание на трансформатор). Данный недостаток может быть вызван и недостаточным "заземлением" корпуса горелки.
- 8) При горелке, работающей на минимальной мощности, сразу же зрительно проверьте интенсивность и вид пламени. При необходимости выполните корректировки, используя регуляторы расхода газа и воздуха (см. пункты 4 и 5). Затем проверьте количество расходуемого газа, выполнив считывание со счётчика. При необходимости поправьте расход газа и соответственно воздуха, выполнив операции, описанные выше (пункты 4 и 5). После этого, проверьте процесс горения посредством специальных приборов. Для нахождения правильного соотношения воздуха/газа опирайтесь на значение диоксида углерода (CO₂) или O₂. Для метана CO₂ должно равняться по крайней мере 8% или O₂ - 6% при работе на минимальной мощности. Оптимальное значение при максимальной мощности: CO₂ - 10% или O₂ - 3%. Следует обязательно проверить специальным прибором, что процент содержания угарного газа (CO) в дымовых газах не превышает пределов по нормам, действующим на момент монтажа.
- 9) Постоянно проверяйте, что расход при работе на первом пламени правильный. Отрегулировав функционирование на первой ступени, отключите горелку, откройте главный выключатель и замкните электрическую цепь, которая управляет подключением второй ступени, подключите ранее отсоединённый 4-х штырьковый разъём для горелок TBG 45P-60P; подсоедините провод к клемме 5 клеммника печатной схемы, подающего питание на катушку Y2 для горелок TBG 45-60.
- 10) Откройте на необходимое количество регулятор ручной регулировки расхода газа для пламени второй ступени (главного пламени).
- 11) Теперь включите горелку, закрывая главный выключатель и выключатель на электрическом щите. Горелка включится и автоматически сработает вторая ступень (главное пламя).

Сразу же зрительно проверьте интенсивность и вид пламени. При необходимости откорректируйте расход газа и воздуха, как указано в пунктах 4 и 5.

12) Регулятором расхода второй ступени настройте или поправьте расход. Горелка не должна работать если расход выше максимально допустимого значения для котла, это предотвратит его поломку. Остановите горелку сразу же после считывания двух значений на счётчике.

13) Вслед за этим, при работе горелки на максимально необходимой мощности, проверьте горение при помощи специальных приборов. Если нужно, измените ранее выполненную регулировку (воздух и при необходимости газ), осуществив зрительный контроль (CO_2 макс. = 10 % O_2 мин = 3% - CO макс. 0,1 %).

14) Воздушный прессостат не позволяет открыться газовым клапанам если давление воздуха не соответствует предусмотренному. Прессостат должен быть отрегулирован так, чтобы он срабатывал, замыкая контакт если давление воздуха в горелке доходит до достаточного значения. В том случае если воздушный прессостат не обнаружит давление, большее настроенного на нём значения, блок управления выполнит свой цикл, но трансформатор розжига не подключится и газовые клапаны не откроются. Вследствие этого горелка остановится в положении блокировки. Для проверки правильного функционирования воздушного прессостата нужно, **при работе горелки на минимальном расходе**, увеличивать отрегулированное значение до момента срабатывания, после чего горелка сразу же остановится в положении блокировки. Разблокируйте горелку, нажав специальную кнопку 921). Отрегулируйте прессостат на значение, достаточное для обнаружения существующего давления воздуха на этапе предпродувки.

15) Цель прессостата контроля давления газа (минимального) препятствовать работе горелки, когда давление газа не соответствует предусмотренному. Из особой функции прессостата видно, что контрольный прессостат минимального давления должен использовать контакт, который находится в замкнутом положении, когда прессостат обнаруживает давление выше значения, установленного на нём. Регулировку прессостата минимального давления газа необходимо выполнять на этапе ввода в эксплуатацию горелки с учётом имеющегося давления. Необходимо уточнить, что срабатывание (понимается, как открытие контура) одного из двух прессостатов при функционировании горелки (пламя горит) приводит к незамедлительному выключению горелки. При первом розжиге горелки обязательно проверьте правильное функционирование прессостата.

16) Проверьте срабатывание детектора пламени (электрода ионизации), отсоединяя перемычку между клеммами 30 и 31 печатной схемы, и, включая горелку. Блок управления должен полностью выполнить цикл, а 3 секунды спустя, после того, как сформировалось пламя розжига, остановиться в положении "блокировки". Необходимо осуществить данную проверку и при включенной горелке. Отсоедините

перемычку (30-31), при этом блок управления должен сразу же остановиться в положении "блокировки".

17) Проверьте эффективность термостатов или прессостатов котла (срабатывание приведёт к останову горелки).

ПРИМЕЧАНИЕ! Проверьте правильность розжига, так как может случиться, что смеситель сместился вперёд, и скорость воздуха на выходе будет такой высокой, что это затруднит розжиг. При выявлении данной ситуации необходимо постепенно перемещать смеситель назад до тех пор, пока не будет найдено такое положение, при котором розжиг будет происходить исправно, после этого необходимо зафиксировать найденную позицию, как окончательную. Напоминаем, что для маленького пламени желательно ограничить до минимума количество подаваемого воздуха для того, чтобы розжиг был хорошим и в более сложных случаях

ВЕЛИЧИНА ТОКА ИОНИЗАЦИИ

Для измерения тока ионизации, уберите перемычку с клемм 30-31 печатной схемы при выключенной горелке (см. рисунок сбоку). Подсоедините к тем же клеммам терминалы микроамперметра с соответственной шкалой отсчёта, а затем включите горелку. После появления пламени, можно будет измерить ток ионизации. Его минимальное значение для гарантирования функционирования блока управления приводится на специальной электрической схеме. После окончания измерения, вновь поместите перемычку, которую ранее убрали.

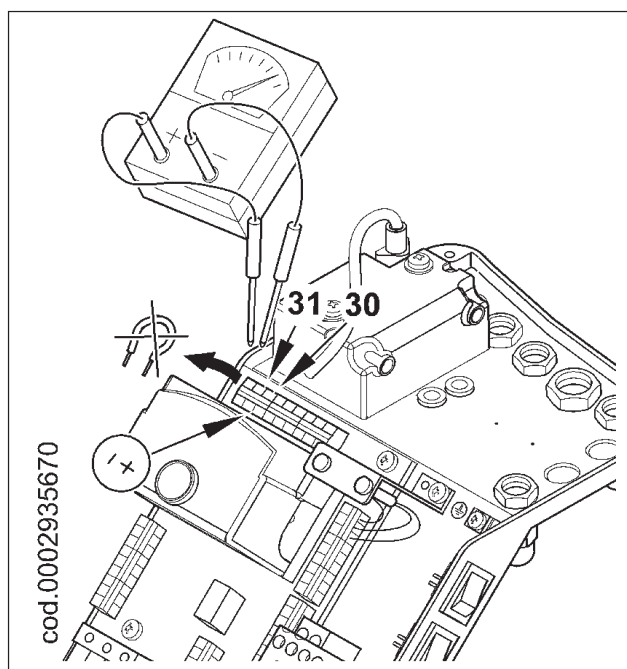
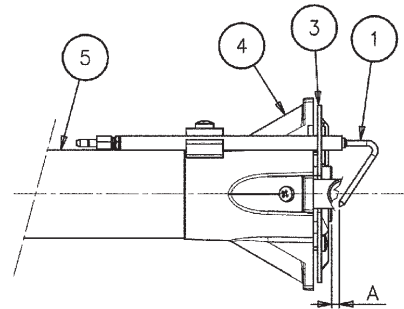
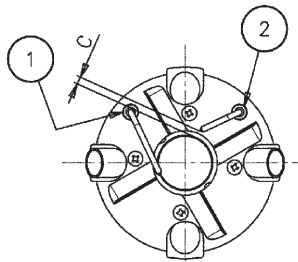
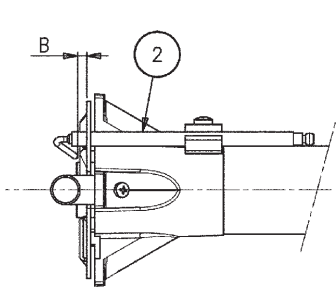
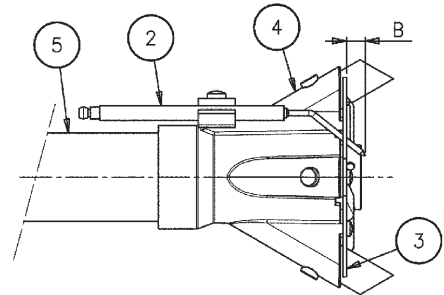
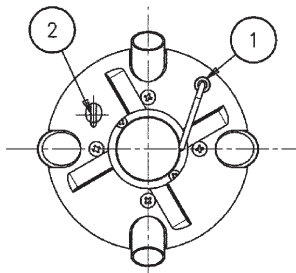
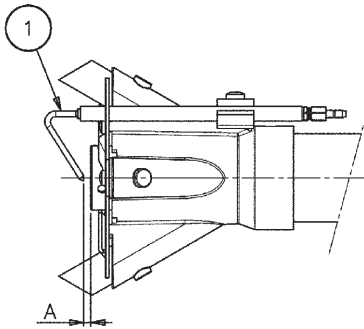


СХЕМА РЕГУЛИРОВКИ ЭЛЕКТРОДОВ/ЗОНДА ИОНИЗАЦИИ

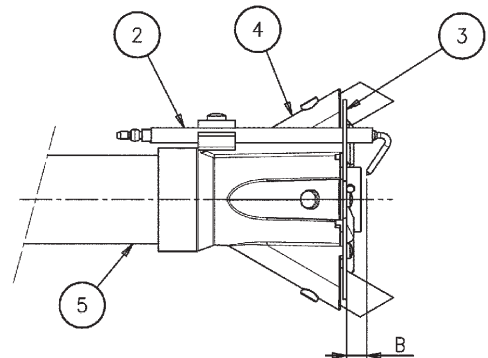
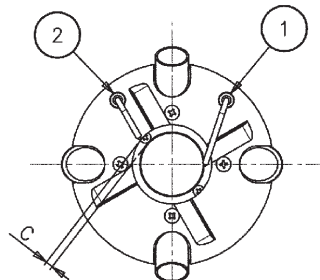
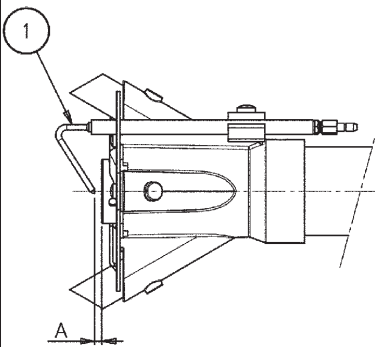
0002935680



TBG 45, TBG 45P, TBG 45PN, TBG 45ME



TBG 60P, TBG 60PN, TBG 60ME



TBG 60

Обозначения:

- 1- Электрод ионизации
- 2 - Электрод розжига
- 3- Диск пламени
- 4- Смеситель
- 5- Подводящая труба газа

Модель	A	B	C
TBG 45 - 45P	4	5	4
TBG 60P	4	10	-
TBG 60	4	11	4

РЕГУЛИРОВКА ВОЗДУХА НА ГОЛОВКЕ ГОРЕНИЯ

Головка горения оснащена устройством регулировки, которое позволяет открыть или закрыть воздушный зазор между диском и головкой. С закрытием прохода перед диском будет высокое давление даже при маленьких расходах. Высокая скорость и завихрение воздуха будут способствовать его лучшему смешению с топливом, следовательно, будет обеспечиваться отличная топливоздушная смесь и стабильность пламени. Наличие высокого давления воздуха перед диском может стать крайне важным для предотвращения пульсаций пламени, в особенности в тех случаях, когда горелка работает с разряженной топкой и/или в условиях высокой тепловой нагрузки.

Всё вышеизложенное даёт понять, что механизм, который закрывает воздушный зазор на головке горения, должен быть выставлен на такое значение, при котором за диском пламени **всегда** будет обеспечиваться довольно высокое давление воздуха. Рекомендуется выполнить регулировку таким образом, чтобы получился такой воздушный зазор на головке, при котором воздушная заслонка, регулирующая воздухозабор вентилятором горелки, была значительно открыта. Естественно, данная ситуация должна наблюдаться в том случае, когда горелка работает на требуемой максимальной мощности.

На деле, нужно начать регулировку с устройством, закрывающим воздушный зазор на головке, в среднем положении, так горелка будет включена с приблизительной регулировкой, как описано ранее.

Достигнув требуемой максимальной подачи необходимо поправить позицию механизма, закрывающего воздушный зазор на головке горения. Для этого переместите его вперёд или назад так, чтобы получить поток воздуха, соответствующий подаче, при этом положение воздушной заслонки должно быть довольно открыто..

ГОРЕЛКА	X	Значение указателя 4
TBG 45 / 45P	3 ÷ 31	0 ÷ 3,2
TBG 60 / 60P	6 ÷ 34	0 ÷ 3,2

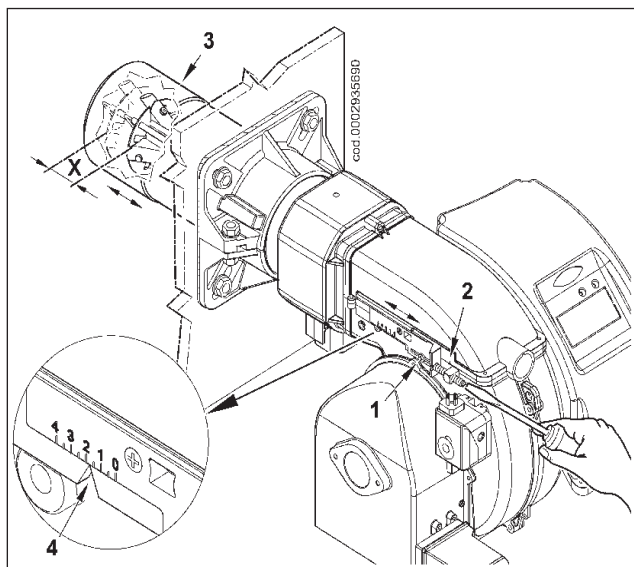
X= Расстояние головка-диск; отрегулируйте расстояние X, следуя указаниям ниже:

- ослабьте винт 1
- винтом 2 отрегулируйте положение головки горения 3, опираясь на указатель 4
- отрегулируйте расстояние X между минимальным и максимальным значением, на основании данных из таблицы.

ВАЖНАЯ ИНФОРМАЦИЯ:

Вышеперечисленные регулировки являются приблизительными; положение головки горения зависит от характеристик топочной камеры.

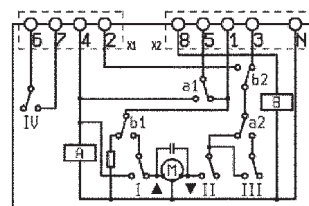
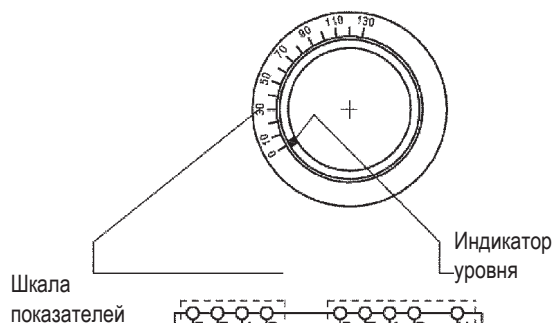
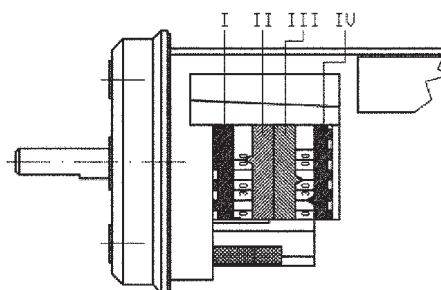
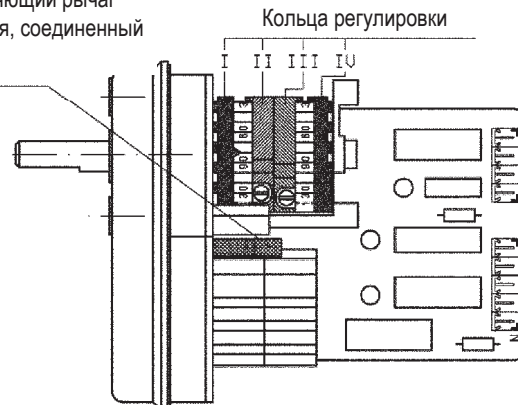
СХЕМА РЕГУЛИРОВКИ ГОЛОВКИ



Кольца регулировки сервопривода SQN 72.XA4A20 for TGB..P

0002934711

Вставляющий и выставляющий рычаг двигателя, соединенный с валом



SQN72.2A4A20BT
SQN72.6A4A20BT

- I Кольцо регулировки воздуха 2 пламени (80°)
- II Колесо закрытия подачи воздуха (горелка не работает)
- III Кольцо регулировки воздуха 1 пламени (20°)
- IV Кольцо, открывающее рычаг 2 пламени (40°)

Для изменения регулировки используются кольца (I, II, III....). Необходимый уровень шкалы устанавливают путем поворота каждого кольца.

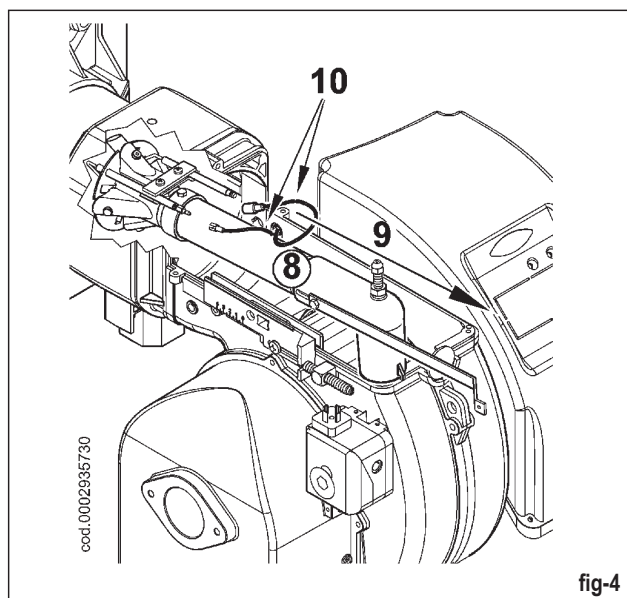
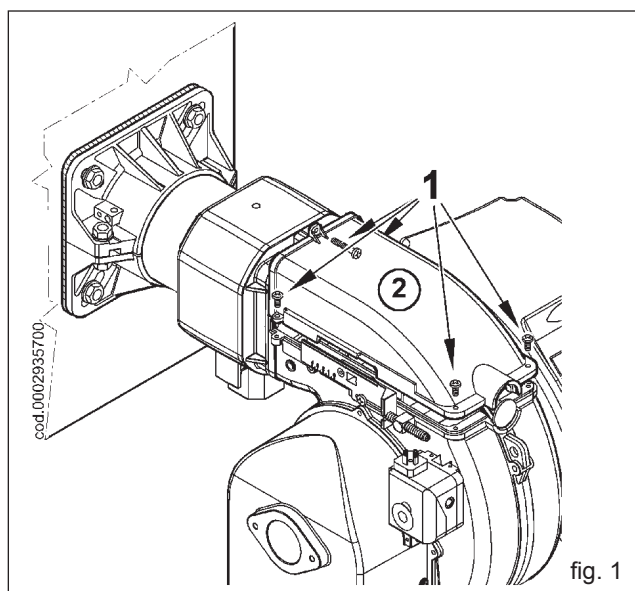
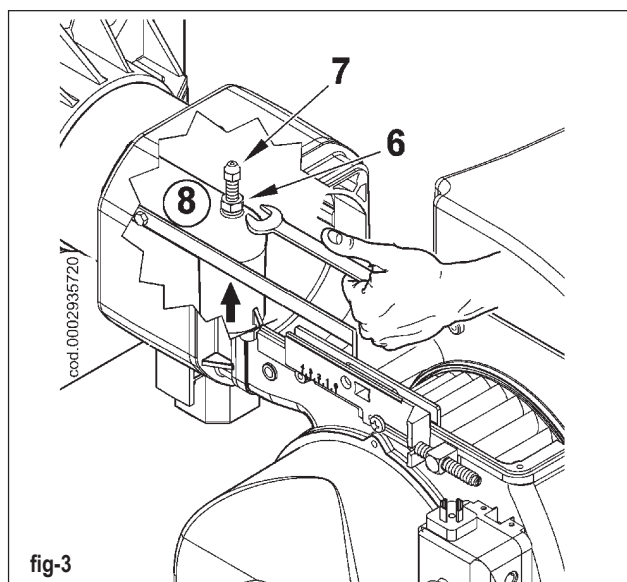
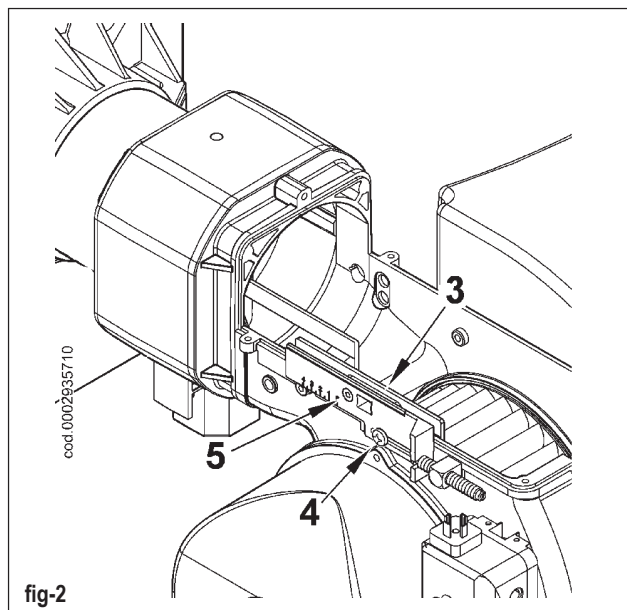
ТЕХОБСЛУЖИВАНИЕ

Регулярно выполняйте анализ уходящих газов, проверяя значения вредных выбросов.

Периодически заменяйте газовый фильтр если он загрязнён. Проверьте, что все компоненты головки горения находятся в хорошем состоянии и не деформированы из-за высокой температуры. На них не должно быть грязи или различного рода скоплений, которые могут попасть из помещения или образоваться при плохом процессе горения. Проверьте исправность электродов. Если необходимо выполните чистку головки горения, вынимая компоненты, как описано далее:

- 1) Открутите винты и снимите крышку 2 (рисунок 1).
- 2) Проверьте, что подвижная пластина 3 закреплена винтом 4. Это позволит по окончании операций по обслуживанию поместить узел смесителя в то же положение, на которое он был ранее отрегулирован. Открутите винт (5), фиксирующий выдвижную штангу узла к подвижной пластине (рисунок 2).
- 3) Полностью открутите гайку (6), завинтите винт (7), чтобы он вошёл внутрь газоподводящего штуцера (8) на отрезок, который может позволить демонтировать в дальнейшем узел смесителя. Слегка приподнимите с паза штуцер подачи газа (8) (рисунок 3).
- 4) Отсоединив провод розжига и ионизации 10 от соответствующих электродов полностью выньте узел смесителя в направлении, указанном стрелкой 9 (рисунок 4).

Завершив операции по обслуживанию и проверив правильное положение электродов розжига и ионизации, монтируйте головку горения, выполняя операции в обратном вышеперечисленному порядке (см. карточку 0002935680).

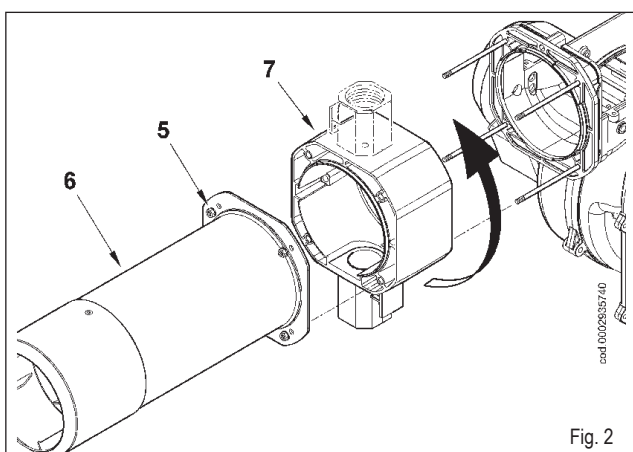
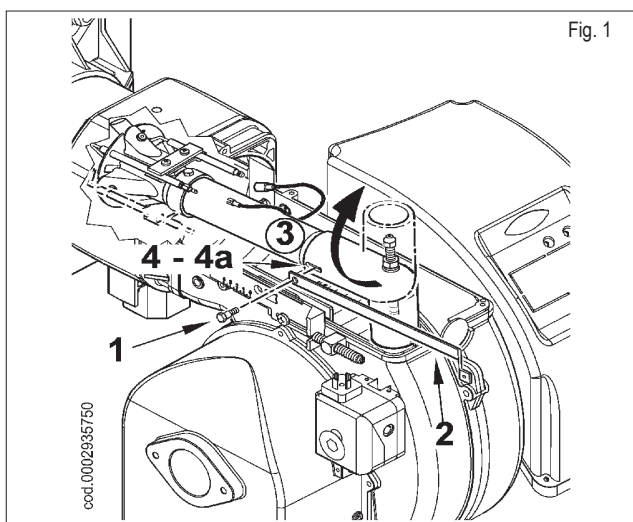


КРЕПЛЕНИЯ РАМПЫ В НАПРАВЛЕНИИ ВЕРХА

Если необходимо установить подводящую сторону рампы в сторону верха, то до того, как соединить горелку с котлом, выполните следующие операции.

- 1) Опираясь на инструкции из параграфа "Обслуживание", снимите узел смесителя, открутите винт (1), соединяющий выдвижную штангу (2) узла с газоподводящей трубой (3), вынимая его через петлю (4) на изогнутом штуцере (рисунок 1).
- 2) Поверните на 180° изогнутый штуцер так, чтобы отверстие газоподводящей трубы совпадало с петлёй (4а), расположенной на штуцере в противоположном по диаметру положении. Соедините выдвижную штангу (2) с трубой подвода газа (3) при помощи винта (1), как показано на рисунке 1.
- 3) Теперь снимите 4 гайки (5), показанные на рисунке 2, демонтируйте трубу пламени (6) и, сняв установочные штифты выньте камеру (7). Поместите резьбовое соединение камеры для крепления газовой рампы в сторону верха.
- 4) Для завершения операции закрепите трубу пламени (6) и камеру (7) 4 гайками (5), а после вставьте в паз узел смесителя.

Теперь можно монтировать горелку на котле с рампой, расположенной в соответствии с конфигурацией 9, показанной в параграфе "Монтаж газовой рампы".



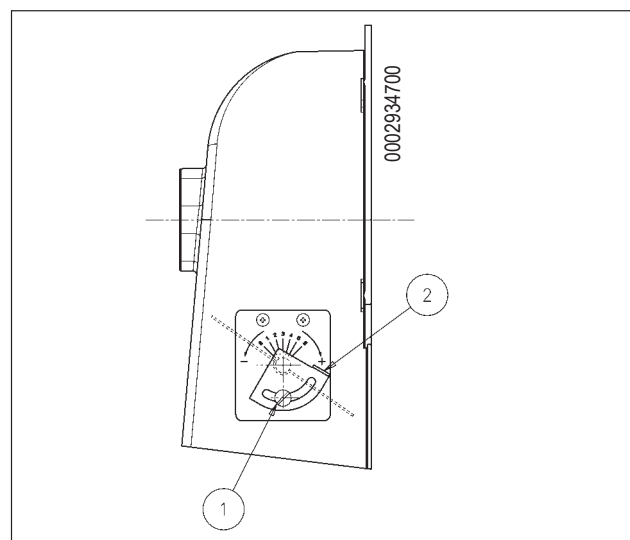
ГАЗОВАЯ ГОРЕЛКА ДВУХСТУПЕНЧАТАЯ

Обычно не рекомендуется соединять двухступенчатую горелку на котле для производства воды для отопления. В данном случае горелка может работать даже в течение длительного времени на одной ступени. Котел недостаточно загружается, следовательно, уходящие газы выходят при слишком низкой температуре (ниже точки образования росы), таким образом будет образовываться конденсат в дымоходе. Когда двухступенчатая горелка устанавливается на котле для производства горячей воды для отопления, необходимо соединить горелку так, чтобы при работе в нормальных условиях использовались две ступени, а при достижении заданного значения температуры горелка полностью останавливалась не переходя на первую ступень. Для получения такого функционирования не нужно устанавливать термостат второй ступени, а между соответствующими клеммами блока управления следует обеспечить прямое соединение (перемычка).

СХЕМА РЕГУЛИРОВКИ ВОЗДУХА ДЛЯ ОДНОСТУПЕНЧАТОЙ ГОРЕЛКИ ТВГ 55

Для регулировки угла открытия воздушной заслонки, ослабьте винт (1) и при помощи маховичка (2) поместите указатель на необходимое значение. После этого затяните винт для блокировки заслонки.

Положение 0: воздушная заслонка полностью закрыта.
Положение 6: воздушная заслонка полностью открыта.



ИНСТРУКЦИИ ПО ВЫЯВЛЕНИЮ ПРИЧИН НЕИСПРАВНОСТИ В РАБОТЕ ГАЗОВЫХ ДВУХСТУПЕНЧАТЫХ ГОРЕЛОК И ИХ УСТРАНЕНИЕ

НЕИСПРАВНОСТИ	ВОЗМОЖНАЯ ПРИЧИНА	СПОСОБ УСТРАНЕНИЯ
Аппарат блокируется с появлением пламени (горит красная лампочка). Неисправность определена устройством контроля пламени.	1) Помехи току ионизации, идущие от трансформатора розжига..	1) Поменяйте местами питание (сторона 230 В) трансформатора розжига и проверьте аналоговым микроамперметром
	2) Датчик пламени (зонд ионизации) неисправны.	2) Замените датчик пламени
	3) Датчик пламени (зонд ионизации) в неправильном положении.	3) Исправьте положение датчика пламени и после этого проверьте его исправность при помощи аналогового микроамперметра.
	4) Зонд ионизации или соответствующий провод замыкают на "массу"	4) Проверьте зрительно и с прибором.
	5) Прервано электрическое соединение датчика пламени.а	5) Восстановите соединение..
	6) Недостаточная тяга или преграда при прохождении уходящих газов..	6) Проверьте отсутствие преград при прохождении уходящих газов через котёл/дымоход.
	7) Диск пламени или головка горения загрязнены или изношены..	7) Зрительно проверьте и при необходимости замените.
	8) Блок управления неисправен..	8) Замените.
	9) Нет ионизации.	9) Если "масса" блока управления не эффективна, не будет обнаруживаться ток ионизации. Проверьте эффективность "массы" на специальной клемме блока управления и на соединении "земля" электрической установки..
Блок управления помещается в положение "блокировки", газ выходит, но пламени нет (горит красная лампочка). Неисправность относится к контуру розжига.	1) Неисправность в контуре розжига	1) Проверьте питание трансформатора розжига (сторона 230 В) и контура высокого напряжения (электрод замыкает на "массу" или повреждён изолятор под стопорной клеммой)..
	2) Провод трансформатора розжига замыкает на "массу".	2) Замените
	3) Провод трансформатора розжига отсоединён.	3) Соедините.
	4) Трансформатор розжига неисправен.	4) Замените.
	5) Расстояние между электродом и корпусом неправильное.	5) Расположите на правильное расстояние.
	6) Изолятор загрязнён и, поэтому электрод замыкает на "массу".	6) Прочистите или замените изолятор и электрод
Блок управления помещается в положение "блокировки", газ выходит, но пламени нет (горит красная лампочка)	1) Неправильное соотношение воздуха/газа.	1) Исправьте соотношение воздуха/газа (возможно слишком много воздуха или мало газа).
	2) С газового трубопровода не был должным образом удалён весь воздух (случается при первом розжиге).	2) Ещё раз выпустите воздух с газового трубопровода с максимальной осторожностью.
	3) Давление газа недостаточное или чрезмерное.	3) Проверьте значение давления газа в момент розжига (используйте манометр с водяным столбом, если возможно)..
	4) Воздушный зазор между диском и головкой слишком закрыт.	4) Приведите в соответствие открытие диска/головки.

- Brülörü ilk defa kullanmadan önce lütfen ürünün bütünleşik ve lüzumlu bir parçası olarak brülörle beraber verilen bu kullanma kılavuzu içinde yer alan "BRÜLÖRÜN GÜVENLE KULLANILMASI İÇİN KULLANICIYA UYARI NOTLARI" bölümünü dikkatle okuyunuz. Brülör ve sistem üzerindeki çalışmalar sadece yetkili personel tarafından yapılmalıdır.
- Brülörü çalıştırmadan veya onarımına başlamadan önce kullanma kılavuzunu dikkatle okuyunuz.
- Brülör üzerinde onarıma başlamadan önce sistemin elektrik beslemesi kesilmelidir.
- Talimatlara titizlikle uyulmayıp, çalışmalar düzgün yürütülmediği tehlikeli kazaların oluşması mümkündür.

Uygunluk Beyanı

Biz burada "CE" işaretli Sparkgas...; BTG...; BGN...; TBG...; Minicomist...; Comist...; RiNOx...; BT...; BTL...; TBL...; GI...; GI...Mist; PYR...; TS...; serisi ürünlerimizin uygunluğunun tamamen bizim sorumluluğumuz altında olduğunu beyan ederiz.

Tanımlama:

gaz, sıvı veya çift çift yakıtlı hava üflemeli domestik ve endüstriyel brülörlerin tabi olduğu minimum düzenlemelere ait Avrupa Direktifleri:

- 90/396/EEC (G.A.D)
- 92/42/EEC (B.E.D)
- 89/336/EEC (E.M.C. Direktifi)
- 73/23/EEC (Düşük Voltaj Direktifi)
- 98/37 EEC (Makine Direktifi)

ve tasarım ve testlerinin yapılmasında tabi olunan Avrupa Standartları:

- EN 676 (gaz ve çift yakıt, gaz tarafı)
- EN 267 (motorin ve çift yakıt, motorin tarafı)
- EN 60335-1:2001:A1:2004+A11:2004 +A2:2006
- EN 60335-2-102:2006
- EN 50165:1997:A1:200
- EN 55014-1:2000 + A1:2001+A2:2002
- EN 55014-2:1997 + A1:200
- EN 50366:2004 + A1:2006
- EN 61000-3-2:2000 + A2:2005

90/396/EEC Gaz Uygulamaları Direktifine göre kontrol;
CE0085 – DVGW tarafından yapılır

Başkan Yardımcısı ve Genel Müdür:
Dr. Riccardo Fava

DİZİN

SAYFA

- Kullanıcıya brülörün acil durumlarda kullanımıyla ilgili uyarular.....	2
- Teknik özellikler.....	4
- Brülörün gaz şebekesine bağlanması.....	7
- Brülörün kazana uygulanması.....	8
- Elektrik bağlantıları - Kullanımı.....	9
- Gaz brülörlerinin kumanda ve kontrol ünitesi.....	11
- Metan gazı ateşleme ve ayarı.....	12
- Yanma kafası üzerinde hava regülasyonu.....	14
- Brülörün kullanımı ve bakımı.....	16
- Sorun - Neden - Çözüm.....	18
- Elektrik şeması.....	93

BRÜLÖRÜN GÜVENLE KULLANILMASI İÇİN KULLANICIYA UYARI NOTLARI

ÖNSÖZ

Bu uyarı notları sivil kullanım ve sıcak su üretimi için ısıtma sistemleri bileşenlerinin sağlıklı kullanımını sağlamak amacı ile hazırlanmıştır. Bu notlar, yeterli güvenilirliğe sahip donanımların, doğru olmayan ve hatalı kurulumlar veya uygunsuz ve mantıksız kullanımlar sebebi ile zarara yol açmasının önlenmesi amacı ile nasıl hareket edileceğini göstermektedir. İlave olarak bu kılavuzdaki uyarı notları son kullanıcıların anlayabileceği bir dilde teknik olarak hazırlanmış olup, emniyetle ilgili hususlardan kullanıcıların bilgi sahibi olmasını hedefler. Üretici, kurulum veya kullanım sırasında üretici talimatlarına uyma konusundaki aksaklıklardan kaynaklanan hataların sebep olduğu hasarlardan kontratlı olsun veya ekstra kontratlı olsun sorumlu değildir.

GENEL UYARI NOTLARI

- Kullanım kılavuzu ürünün özel ve gereki parçasıdır ve mutlaka kullanıcıya verilmesi gerekmektedir. Emniyetli kullanım, bakım ve kurulumla ilgili önemli bilgiler içerdiğinden kılavuzdaki uyarıları dikkatlice okuyunuz. Kılavuzu ihtiyacınız olduğunda bulabileceğiniz yerde muhafaza ediniz.
- Malzemeler, geçerli standartlara ve üretici talimatına göre kalifiye teknisyenler tarafından kurulmalıdır. "Kalifiye Teknikerler" demekle, domestik ısıtma ve sıcak su üretimi sistem parçaları hakkında uzman ve özellikle üretici tarafından yetkilendirilmiş kişiler kastedilmektedir. Hatalı kurulum insanlara, hayvanlara ve eşyalara zarar verebilir. Bu tür zararlardan üretici sorumlu değildir.
- Ambalaj açıldığında bütün parçaların mevcut olduğunu ve hasarsız olduğunu kontrol ediniz. Şüphede iseniz, malzemeler kullanmayın ve satıcınıza geri gönderiniz. Ambalajlama malzemelerini (tahta kafesli sandık, plastik poşetler, köpükler, vb...) çocukların ulaşabileceği yerden uzak tutunuz. Bu malzemeler toplanarak, çevre kirliliği oluşturmamaları için uygun bir yere atılmaları gerekir.
- Her hangi bir bakım veya temizleme işleminden önce ana elektrik beslemesindeki sistem şalterini kullanarak cihazınızın elektriğini kesin veya ilgili bütün cihazların elektriğini keserek kapatın.
- Eğer sistemde hata varsa veya cihazınız düzgün çalışmıyorsa, cihazınızı kapatın, tamir etmeye çalışmayın veya malzemeye müdahale etmeyin. Böyle durumlarda sadece yetkili servis ile irtibata geçiniz. Her hangi bir malzeme tamiri orijinal yedek malzemeler kullanılarak Baltur yetkili servisleri tarafından yapılmalıdır. Yukarıdaki durumlardaki hatalı eylemler malzemenin güvenilirliğini tehlikeye atacaktır. Donanımın doğru ve verimli çalışmasını sağlamak için yetkili servisler tarafından kullanma talimatlarına uygun şekilde periyodik bakımlarının yapılması gerekmektedir.
- Donanımlar başka bir kullanıcıya satılır veya gönderilirse veya sahibi cihazı bırakır veya taşır ise; kullanma kılavuzlarının da daima cihazın yanında olmasını sağlayınız. Böylece yeni sahibi ve/veya monte eden kişi kılavuzdan yararlanabilir.
- Opsiyonel malzemeler veya (elektrik malzemesi dahil) kitler de dahil olmak üzere cihazın bütün donanımı için sadece orijinal malzemeler kullanılmalıdır.

BRÜLÖRLER

- Bu cihaz, sadece kazanlarda, sıcak su kazanları, fırınlar veya diğer benzeri donanımlara bağlanarak ve atmosferik ajanlara (yağmur, toz gibi) maruz kalmayan uygulamalar için kullanılmalıdır. Başka diğer kullanım şekilleri uygun olmayan kullanımdır ve dolayısıyla tehlikelidir.
- Brülör, yürürlükteki düzenlemelere göre ve her durumda düzgün yanmanın sağlanabileceği yeterlilikte havalandırmanın olduğu uygun mahallere kurulmalıdır.
- Tehlikeli toksit karışımlar ve patlayıcı gaz formları oluşabileceğinden, brülörün veya kazanın kurulduğu kazan dairesinin havalandırma açıklığının ve brülör hava emiş ızgarası açıklığının ebadını azaltmayın ve kapatmayın.
- Brülörü bağlamadan önce, sistem beslemesi (elektrik, gaz, motorin, veya başka yakıt) ile alakalı bilgileri üzerindeki etiketinden kontrol ediniz.
- Brülörün sıcak parçalarına dokunmayınız. Genelde aleve yakın alanlardaki ve yakıt ön ısıtma sistemindeki bu parçalar, cihazın çalışması esnasında ısınır ve brülör durduğunda da bir süre sıcak kalırlar.
- Brülör artık kullanılmayacak ise yetkili teknikerler tarafından aşağıdaki işlemler kesinlikle yapılmalıdır;
 - a) Ana şalterden elektrik besleme kablosu sökülerek, elektrik beslemesinin kesilmesi,
 - b) Yakıt beslemesini, kapama valfini kullanarak kapatılması ve valfin açma kolunun sökülmesi,
 - c) Potansiyel tehlike oluşturabilecek parçaların emniyete alınması,

Özel uyarı notları

- Alev yanma odasında oluşacak şekilde brülörün ısı üreticisine bağlantısının emniyetle yapıldığını kontrol edin.
- Brülörü devreye almadan önce ve en az yılda bir yetkili teknikerler tarafından test edilmesi gereken işlemler aşağıda bildirilmiştir;
 - a) Brülörün yakıt debisi ayarını, ısı jeneratörünün kapasitesine göre ayarlanması.
- b) En azından yürürlükteki düzenlemeler ile bildirilen minimum hava ayarı değerinde brülörün yanma verimliliğini sağlamak amacıyla yanma havası debisinin ayarlanması.
- c) Hava kirliliğine yol açan NOx ve yanmamış gazların yürürlükteki mevzuata göre müsaade edilen sınır değerlerini aşmadığının kontrolünün yapılması.
- d) Emniyet cihazlarının ve ayar cihazlarının düzgün çalıştığının kontrolünün yapılması.
- e) Yanma ürünleri tahliye edildiği kanalın durumunun kontrol edilmesi.
- f) Ayar işlemleri yapıldıktan sonra ayar cihazlarının mekanik emniyet kilitlemelerinin yapılması,
- g) Brülör kullanma ve bakım kılavuzunun kazan dairesinde olduğunun kontrolünün yapılması.
- Eğer brülör devamlı olarak arızaya geçip duruyorsa, her defasında resetleme yapmayı denemeyiniz. En yakın yetkili servisi problemi çözmesi için çağırınız.
- Yürürlükteki düzenlemelere göre ekipmanların çalıştırılması ve bakımının sadece yetkili servisler tarafından yapılmalıdır.

BRÜLÖRÜN GÜVENLE KULLANILMASI İÇİN KULLANICIYA UYARI NOTLARI

ELEKTRİK BAĞLANTISI

- Ekipmanlar sadece yürürlükteki elektrik emniyet mevzuatına göre uygun topraklama hattına düzgün olarak bağlandığı takdirde elektriksel olarak güvenlidir. Bu lüzumlu emniyet gereklerinin yerine getirildiğinin kontrol edilmesi gereklidir. Yapıldığından şüpheye iseniz, kalifiye bir elektrik teknisyenini arayarak sistemin denetimini yaptırın. Çünkü, zayıf topraklama bağlantısından kaynaklanacak hasarlardan üretici sorumlu değildir.
- Elektrik devrelerinin ekipmanların maksimum yüklenmelerine göre uygunluğu yetkili servisler tarafından kontrol edilmelidir. Teknik etiketlerinde de gösterildiği şekilde brülörün elektriksel olarak maksimum çektiği gücüne göre uygun kablolanın yapıldığının, özellikle kablo çaplarının çekilen güç için yeterli olduğunun kontrolünü kalifiye elektrik teknisyenine yaptırın.
- Brülörün güç kaynağı üzerinde adaptör, çoklu soket ve uzatma kablosu kullanmayın.
- Yürürlükteki emniyet mevzuatına göre ana güç kaynağının bağlantısında kutuplu şalter kullanılması gerekmektedir.
- Brülör elektrik beslemesinin nötr topraklaması olmalıdır. Eğer iyonizasyon akımı topraklanmamış nötrden kontrol ediliyorsa, terminal 2(nötr) ve topraklama arasına RC devresi için bir bağlantı yapılması gereklidir.
- Elektrikli herhangi bir parçanın kullanımı; aşağıda temel esasları bildirilen elektrik emniyet kurallarına uyulması ile söz konusudur;
 - Vücudunuzun bir kısmı ıslak veya nemli olarak ekipmanlara dokunmayınız.
 - Elektrik kablolarını çekmeyiniz.
 - Cihazınızı atmosferik (yağmur, güneş vb.) ortamlarda, bu duruma uygun depolama özelliği belirtilmediği müddetçe bırakmayınız.
 - Yetkisiz kişiler ve çocukların kullanımına izin vermeyiniz.
- Ekipman elektrik kabloları kullanıcı tarafından değiştirilemez. Eğer kablolar zarar gördüyse, donanımın elektriğini kesiniz ve kabloların değiştirilmesi için sadece yetkili servisi arayınız.
- Cihazınızı bir süre için kullanmamaya karar verdiyseniz, elektrikle çalışan tüm donanımların (pompa, brülör vb.) elektrik bağlantısını kesmeniz tavsiye edilir.

GAZ, MOTORİN VEYA DİĞER YAKIT KULLANIMINDA

Genel uyarı notları

- Mevcut yasa ve kanunlara uygun olarak ve yetkili teknisyenler tarafından brülörün kurulumu gerçekleştirilmiştir, Yanlış kurulum insana, hayvana ve eşyaya zarar verebilir ki bu aşamada üretici bu zarardan sorumlu değildir.
- Brülör kurulumundan önce sistemin düzgün çalışmasını aksatacabilecek yakıt besleme hattı borulamasının içerisindeki pisliklerin temizlenmesi tavsiye edilmektedir.
- Brülörün ilk devreye alınması için yetkili servisler tarafından aşağıdaki kontrolleri yaptırın:
- Brülörün bir süreliğine kullanılmamasına karar verdiyseniz, yakıt hattı üzerindeki valf veya valfları kapatın.

Gaz kullanıldığında özel uyarı notları

- Yetkili teknik servise aşağıdaki kontrolleri yaptırın:
 - a) besleme hattının ve gaz yollarının yürürlükteki kanunlara ve düzenlemelere uygunluğunun kontrol edilmesi,
 - b) bütün gaz bağlantılarının sızdırmaz olduğunun kontrolü.
- Gaz borularını elektrikli cihazların topraklaması için kullanmayın.
- Kullanmadığınızda cihazınızı çalışır durumda bırakmayınız ve daima gaz valfini kapalı tutun.
- Kullanıcı bir süreliğine uzaklara gittiğinde brülöre gaz getiren ana vanayı kapatın.
- Eğer gaz kokusu duyarsanız:
 - a) Asla elektrik anahtarı, telefon veya kıvılcım çıkartabilecek başka bir cihaz açmayın veya kapatmayın.
 - b) hemen kapı ve pencereleri açarak odanın havasını temizlemek için hava akımı sağlayın;
 - c) gaz vanalarını kapatın;
 - d) teknik servisten yardım isteyin.
- Gaz yakıtlı cihazlarının bulunduğu mahallerin havalandırma açıklıklarını kapatmayınız, aksi takdirde zehirli ve patlayıcı karışımın teşekkül etmesi ile tehlikeli durumlar meydana gelebilir.

YÜKSEK VERİMLİ KAZANLAR VE BENZERLERİ İÇİN BACALAR

Şu vurgulanmalıdır ki, yüksek verimlilikteki kazanlarda veya benzerleri uygulamalarda yanma ürünleri (duman) göreceli olarak düşük sıcaklıkta bacaya tahliye edilir. Bahsedilen durum için, geleneksel bacalarda yanma ürünlerinin kayda değer şekilde soğumasına, (hatta sıcaklığının yoğuşma noktasının altına kadar düşmesine) müsaade ettiğinden bu bacalar (çap ve ısı yalıtımı yönünden) uygun olmayabilir. Yoğuşma yapan bacada; motorin veya fuel oil yakılıyorsa bacanın duman gazının atmosfere atıldığı kısmında kurum oluşur veya gaz (doğal gaz, LPG, ...) yakılıyorsa baca boyunca yoğuşma suyu oluşur. Bu nedenle, yukarıda bahsedilenler gibi problemlerle karşılaşılması için yüksek verimliliğe sahip kazan ve benzeri sistemlere bağlı bacalar özellikle uygulamasına göre (en kesit ve ısı yalıtımı yönünden) boyutlandırılmalıdır.

TEKNİK ÖZELLİKLER

		TBG 45	TBG 45P	TBG 60	TBG 60P
ISIL KAPASİTE	MAKS kW	450		600	
	MİN kW	100		120	
ÇALIŞMA ŞEKLİ		Tek aşamalı	İki aşamalı	Tek aşamalı	İki aşamalı
NO _x EMİSYONU	mg/kWh	< 80 (EN 676'ya göre Sınıf III)			
MOTOR	kW	0,50		0,75	
	dev/dak	2730		2800	
ÇEKİLEN ELEKTRİK GÜCÜ*	kW	0,67	0,69	0,93	0,96
HAT SİGORTASI	A / 400 V	--		4	
ATEŞLEME TRAFOSU		26 kV - 40 mA - 230/240 V - 50/60 Hz			
VOLTAJ		1N ~ 230 V ± 10%- 50 Hz		3N ~ 400 V ± 10%- 50 Hz	
KORUMA SINIFI		IP 44			
ALEV DEDEKTÖRÜ		İYONİZASYON SONDASI			
GÜRÜLTÜ',**	dB(A)	73		75	
AĞIRLIK	kg	40		42	
Metan Gazı (G 20)					
YÜK	MAKS m ³ /h	45,3		60,3	
	MİN m ³ /h	10,1		12,1	
BASINÇ	MAKS mbar	360			

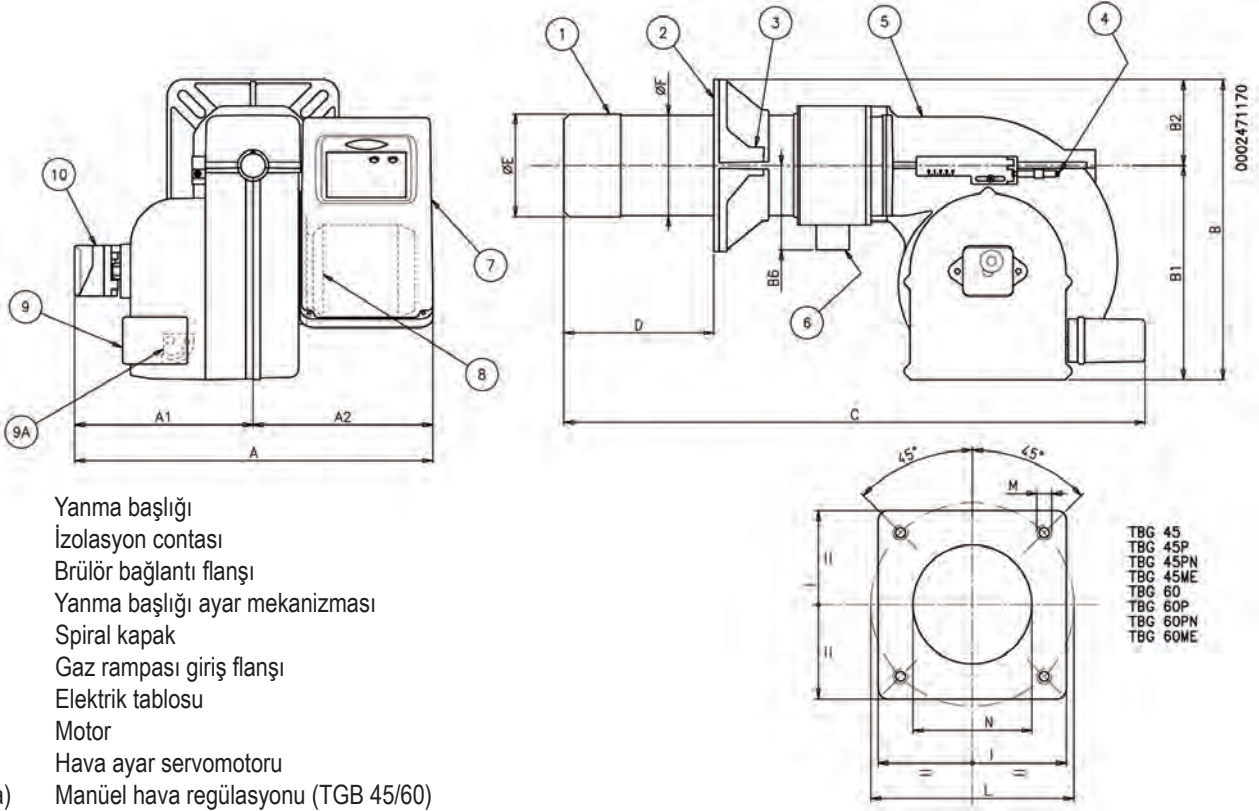
*) Başlangıç fazında, ateşleme transformatörü takılı olarak, tam absorpsiyon.

**) Ses basıncı imalatçı firmanın laboratuvarında, test kazanında brülör çalışır halde ve tüm termik bileşenler nominal maksimum yükte ölçülmüştür. (brülör modeli DACA)

STANDART AKSESUARLAR

	TBG 45	TBG 45P	TBG 60	TBG 60P
BRÜLÖR BAĞLANTI FLANŞI	2	2	2	2
İZOLASYON CONTASI	1	1	1	1
SAPLAMA CİVATALARI	N° 4 M 12	N° 4 M 12	N° 4 M 12	N° 4 M 12
ALTI KÖŞELİ SOMUNLAR	N° 4 M 12	N° 4 M 12	N° 4 M 12	N° 4 M 12
RONDELE PULLAR	N° 4 Ø 12	N° 4 Ø 12	N° 4 Ø 12	N° 4 Ø 12

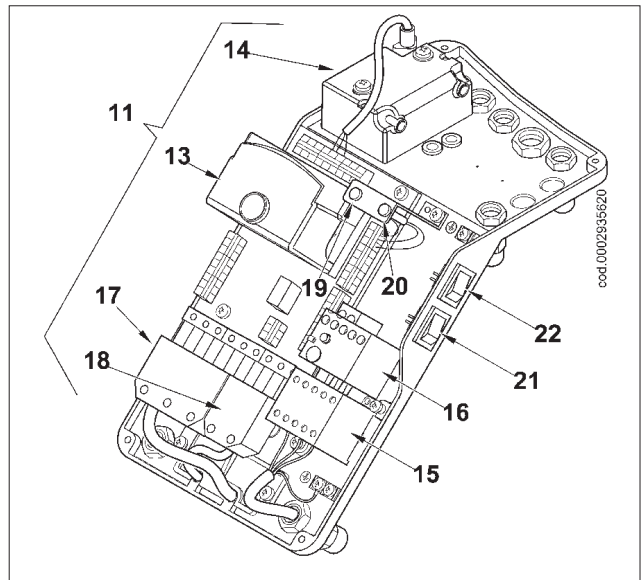
TAM BOYUTLAR



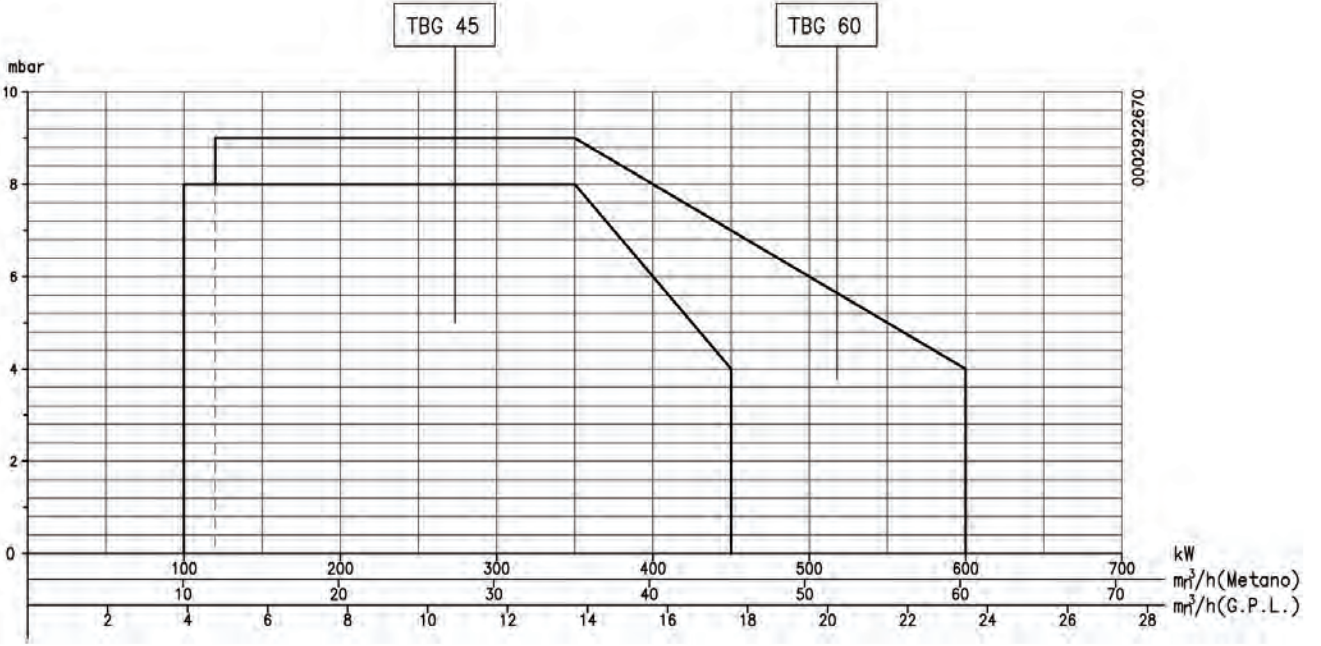
MOD.	A	A1	A2	B	B1	B6	C	D	D	E	F	I	L	L	M	N
								min	max	Ø	Ø		min	max		
TBG 45	550	270	280	435	325	160	880	140	300	137	133	215	200	245	M12	145
TBG 45P	550	270	280	435	325	160	920	140	300	137	133	215	200	245	M12	145
TBG 60	550	270	280	455	325	160	880	140	300	156	152	260	225	300	M12	160
TBG 60P	550	270	280	455	325	160	920	140	300	156	152	260	225	300	M12	160

ELEKTRİK PANOSU BİLEŞENLERİ (VERSIONE DACA)

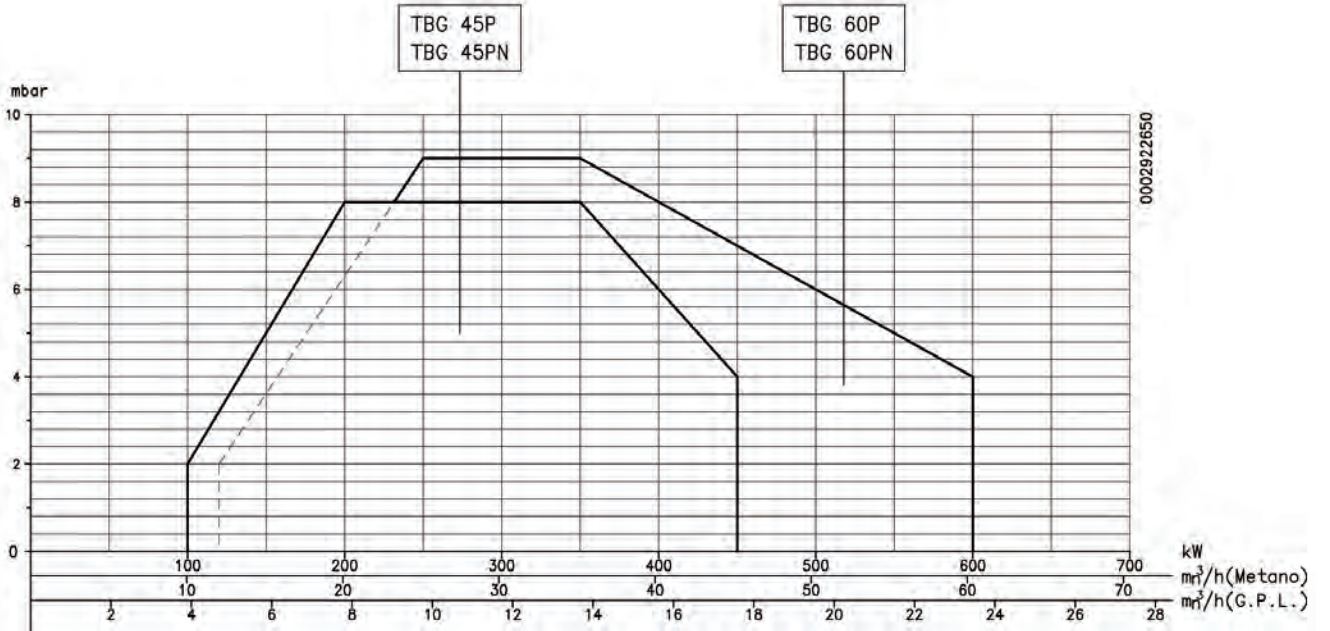
- 13) Beyin
- 14) Ateşleme trafosu
- 15) Motor kontaktörü (Solo con alimentazione trifase)
- 16) Termik role (Solo con alimentazione trifase)
- 17) 7 kutuplu soket
- 18) 4 kutuplu soket
- 19) Brülör yanma gösterge lambası
- 20) Brülör kapalı gösterge lambası
- 21) Açma düğmesi
- 22) AÇMA/KAPAMA Anahtarı



ÇALIŞMA ALANI TBG 45 / 60 TEK AŞAMALI



ÇALIŞMA ALANI TBG 45P / 60P İKİ AŞAMALI



Çalışma alanları, EN676 standartlarına göre test kazanlarından elde edilmiştir ve brülör-kazan bileşiminde uyumluluk için göstergeci.

Brülörün düzgün çalışması için, yanma odasının boyutları mevcut düzenlemelere göre olmalıdır; aksi halde imalatçılara danışılmalıdır.

BESLEME HATTI

Besleme hattını şeması aşağıdadır. Gaz rampası EN 676 standardına uygundur ve brülörden ayrı gelir.

Gaz valfi yönünde manüel olarak kapatılabilen bir valf ve şemada belirtilen özelliklere sahip bir titreşim önleme contası takılmalıdır.

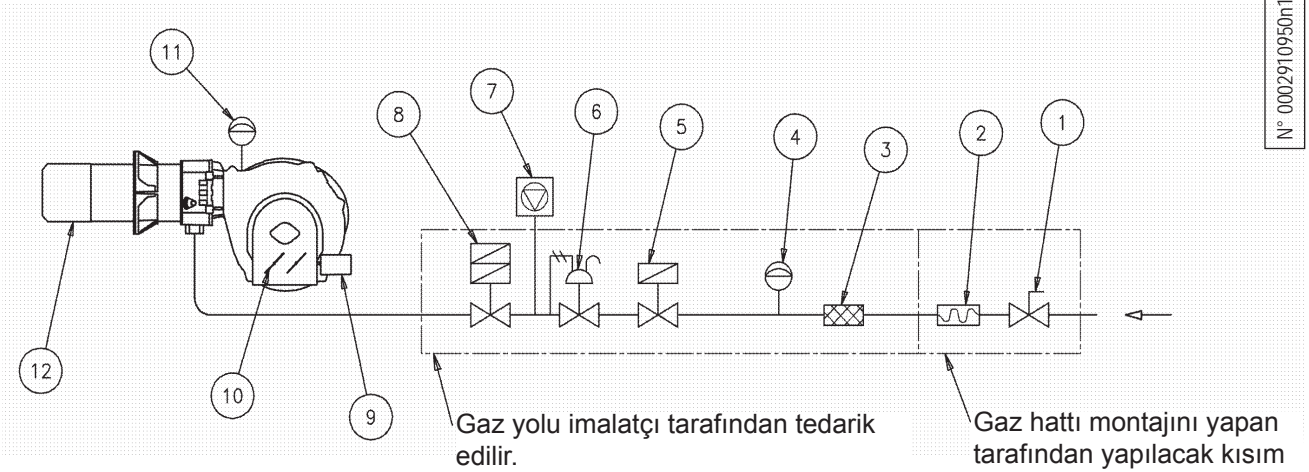
Gaz rampasında yekpare bir valfa entegre olmayan bir basınç regülatörünün bulunması durumunda, brülörün yakınındaki gaz borularına aksesuar takılırken aşağıdaki önerilere uymanızı öneririz.

1) Ateşlemede büyük basınç düşüşlerinin önüne geçmek için, basınç dengeleyicisi veya redüktörü ile brülör arasında 1,5 - 2 m'lik bir mesafe olması gerekir. Bu borunun çapının brülör girişi ile aynı veya daha büyük olması gerekir.

2) Basınç regülatörünün daha iyi çalışmasını sağlamak için, bu regülatörün yatay boruya, fitreden sonra takılması uygun olur. Gaz basınç regülatörü brülör en yüksek **fiili kapasitesinde** çalışırken ayarlanmalıdır.

Çıkış basıncı mümkün olan en yüksek basınçtan biraz düşüğe ayarlanmalıdır. (maksimum değer ayar vidası sonuna kadar çevrilerek elde edilir); ayar vidası sıkıldığında çıkış basıncı artar, gevşetildiğinde azalır.

GENEL GAZ BRÜLÖR SİSTEMİ



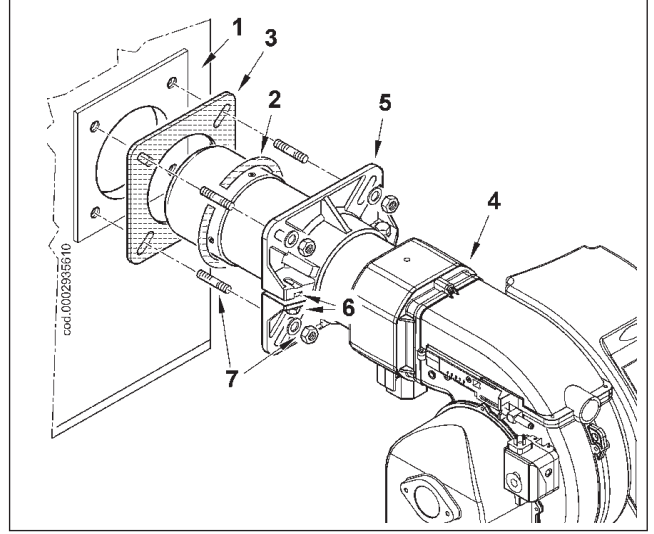
Açıklama

- 1) Manuel gaz kesme vanası
- 2) Titreşim önleyici bağlantı
- 3) Gaz filtresi
- 4) Minimum gaz presostati
- 5) Emniyet valfi
- 6) Basınç regülatörü
- 7) Gaz sızdırmazlık kontrol cihazı
- 8) Çalışma valfi
- 9) Hava ayar servomotoru
- 10) Hava ayar klapesi
- 11) Hava presostati
- 12) Yanma başlığı

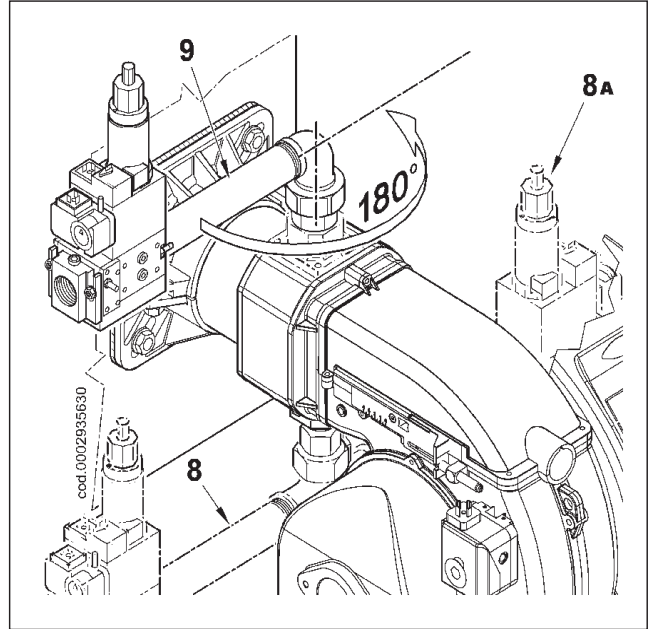
BRÜLÖRÜN KAZANA UYGULANMASI**KAFA GRUBUNUN MONTAJI**

- Flanş ve gövde arasına ipi (2) sokarak yalıtma grubunu (3) yerleştirin.
- Vidaları "6" gevşetin, Kavrama flanşının "5" konumunu vidalarını yanma kafası körük yuvasına girecek şekilde jeneratör üreticisinin önerdiği gibi ayarlayın.
- Brülör 4'ü, kelepçeleri, rondelaları ve ekipman 7'deki civataları kullanarak kazana sabitleyin.

Not: Brülörün ucu ile kazan kapağının içindeki yansıtıcı üzerindeki delik arasındaki boşluğu uygun malzemelerle tamamen kapatın.

**GAZ GİRİŞ DÜZENEĞİNİN MONTAJI**

Flanş tasarımından da görüleceği gibi valf grubunun montajı için 8, 8a ve 9 numaralı farklı montaj seçenekleri mevcuttur. Brülörle birlikte aşağıya doğru eğimli bir gaz besleme düzeneği de gelir. Bu eğimin giriş tarafını değiştirmek için 9 numaralı konfigürasyon seçildiği takdirde, "ateşleme rampasının yukarı doğru kurulması" bölümünde açıklanan prosedürü uygulayın. Mevcut kazana ve gaz borularının geliş konumuna göre en akılcı yeri seçin.



ELEKTRİK BAĞLANTILARI

Elektrik hattı üç fazlı olmalı ve hatta sigortalı bir anahtar bulunmalıdır. Ayrıca, yürürlükteki standartlar uyarınca, brülörün besleme hattında, yerel kazanın dışında kolay ulaşılabilir bir yerde bir anahtar bulunmalıdır. Elektrik bağlantıları (hat ve termostatlar) yapılırken ilgili elektrik şemasına uyulmalıdır. Kazan ile besleme hattı arasındaki bağlantıyı yapmak için aşağıdaki işlemleri yapın:

- Şekil 1'deki 4 vidayı (1) sökün.
Brülörün elektrik panosuna ulaşmak için kapağı çıkarın.
- Vidaları (2) sökerek Kablo plakasını (3) çıkarın ve kabloları şekil 2'deki 7 ve 4 girişlerinin deliklerinden geçirin. Üç aşamalı brülörlerde kabloları uzak anahtara bağlayarak toprak kablolarını (5) sabitleyin ve ilgili kablo kelepçesini sıkın.
- Kablo plakasını şekil 32'de gösterilen şekilde geri yerleştirin. Eksantriği (6) plaka kablolar üzerinde yeterli baskı yapana kadar çevirin ve plakayı sabitleyen vidaları sıkın. Son olarak iki kabloyu 7 ve 4 numaralı girişlere bağlayın (bkz., şekil 4).

ÖNEMLİ: 7 ve 4 numaralı girişlerin kablo yuvaları sırasıyla Ø 9,5-10 mm ve Ø 8,5-9 mm'lik kablolar içindir, bunun amacı elektrik tablolarıyla ilgili IP44 (CEI EN 60259) standardının öngördüğü koruma seviyesine uymaktır.

- 4 vidayı (1) elektrik panosunun kapağına ulaşmak için doğru mesafede olmasını sağlayacak uygun bir torkla sıkın.

ÖNEMLİ: Brülörün elektrik tablosunu yalnızca vasıflı teknik elemanlar açabilir.

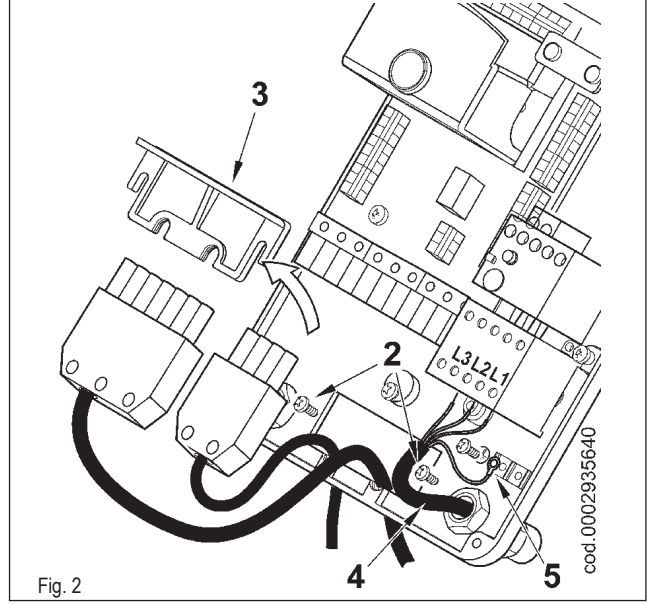


Fig. 2

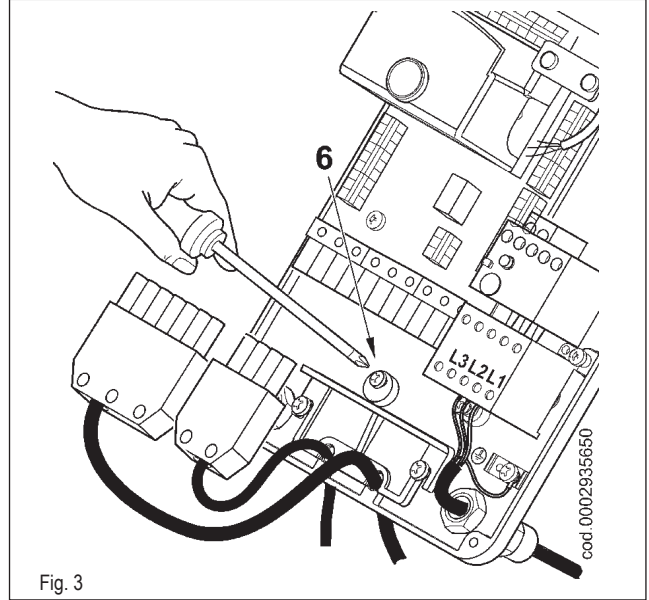


Fig. 3

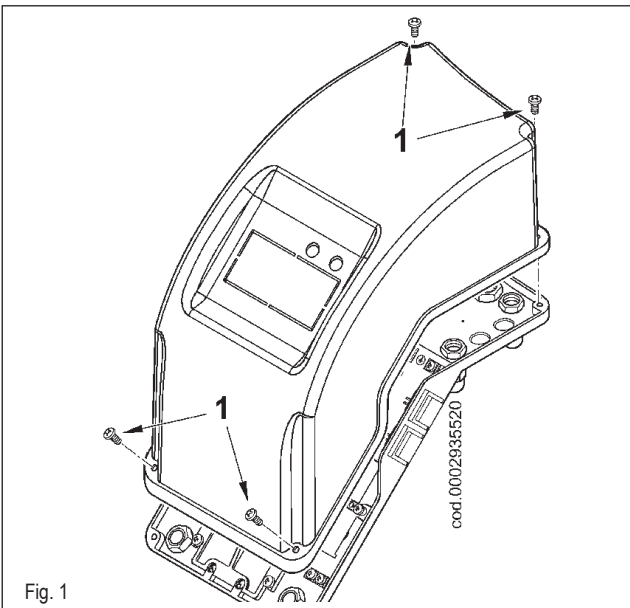


Fig. 1

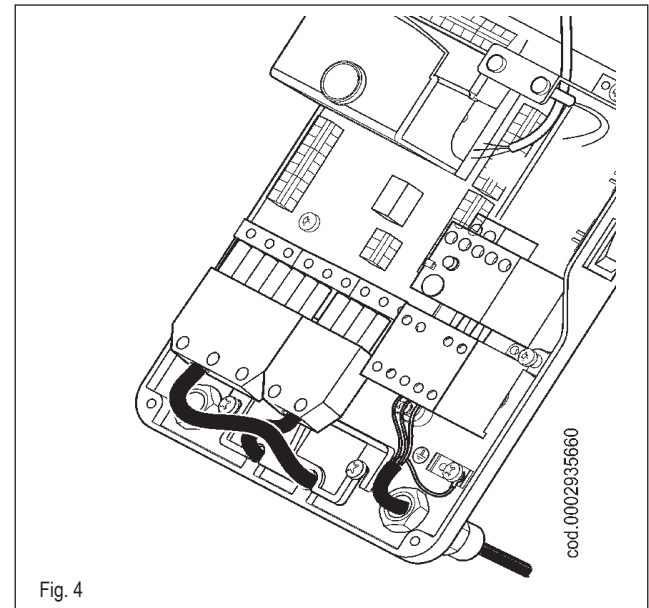


Fig. 4

TBG 45 / 60 İŞLEYİŞ

Ana şalter (22) ve elektrik panelinin açma/kapama anahtarı kapandığında, termostatlar kapalıysa voltaj kumanda ünitesine ulaşır ve brülörün başlamasını kontrol eder (ateşleme ledi 19). Yanma bölmesinin ön havalanmasını sağlamak için vantilatör motorunun devrede olması gerekir.

Ardından ateşleme motoru devreye girer ve 2 saniye sonra gaz valfi açılır.

İki aşamalı ana valf birinci ve ikinci alevin gaz dağıtımını besleyen düzenektir.

Güvenlik anahtarı AÇIK/KAPALI modelidir.

Yanma havası ilgili hava kapaklarıyla manüel olarak ayarlanabilir (bkz., paragraf: "Tek aşamalı TBG 45-60 brülör hava regülasyon şeması").

Brülör AÇIK/KAPALI model olduğu için, maksimum kapasitede çalıştırmak için hava kapağının konumunun ayarlanması gerekir. Alev, kumanda düzeneği tarafından ateşleme transformatörünün devreden çıkarılması ile birlikte ateşleme aşamasının ardından yanar ve bu aşamayı tamamlar.

Ardından ikinci alev devreye girer (ikinci aşama ana valfi açılır).

Alev yoksa, ekipman ana valfin ilk alevi yakmasından sonra 3 saniye içinde (ateşleme ledi 20) cihaz "acil durumu kilitleme" durumuna girmiş demektir.

"Acil durum kilitleme" durumunda valf hemen yeniden kapanır.

Cihazı acil durum kilitleme durumundan çıkarmak için kumanda panelindeki düğmeye (21) basın.

TBG 45P - 60 İŞLEYİŞ

Ana şalter ve elektrik panelinin açma/kapama anahtarı kapandığında, termostatlar kapalıysa voltaj kumanda ünitesine ulaşır ve brülörün başlamasını kontrol eder (ateşleme ledi 19).

Yanma odasının ön havlanmasını sağlamak için vantilatör motorunun takılmış olması ve aynı zamanda, alev ikinci konumdayken ön havalanma aşaması kapaktan gelen havayla gerçekleştiği için, kava kapağı kumandasının servomotorunun açık konumda olması gerekir.

Ön havalanma aşaması sona erdiğinde, hava kapağı birinci alev konumuna gelir ve ateşleme transformatörünü devreye sokar ve 2 saniye sonra gaz valfini açar.

İki aşamalı ana valf birinci ve ikinci alevin gaz dağıtımını besleyen düzenektir.

Güvenlik anahtarı AÇIK/KAPALI modelidir.

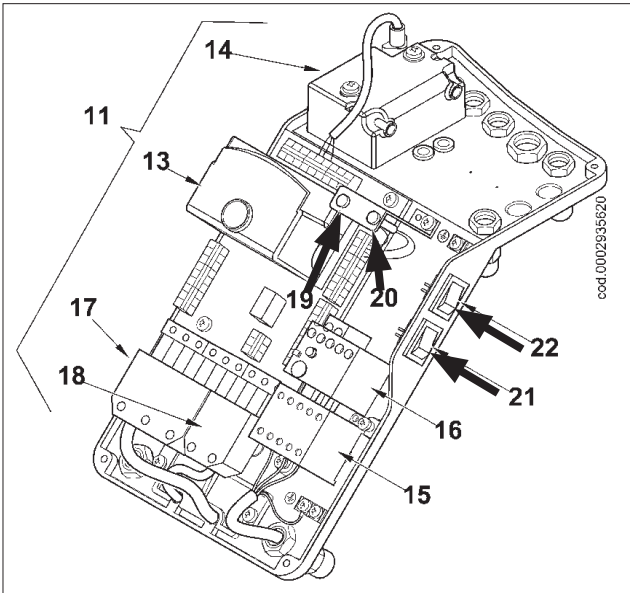
Hava kapağı özel bir elektrikli servomotorla çalıştırılmaktadır (bkz., 0002934711). Termostatın devreye girmesi için brülör durduğunda, kapağın servomotor tarafından kapalı konumuna getirileceğini unutmayın.

Alev, kumanda düzeneği tarafından ateşleme transformatörünün devreden çıkarılması ile birlikte ateşleme aşamasının ardından yanar ve bu aşamayı tamamlar. Ardından ikinci alev devreye girer (yanma havasını artması ve ikinci aşama ana valfinin açılması).

Alev yoksa, ekipman ana valfin ilk alevi yakmasından sonra 3 saniye içinde (ateşleme ledi 20) cihaz "acil durumu kilitleme" durumuna girmiş demektir.

"Acil durum kilitleme" durumunda valf hemen yeniden kapanır.

Cihazı acil durum kilitleme durumundan çıkarmak için kumanda panelindeki düğmeye (21) basın.



Cihaz veya programlayıcı	Süre: güvenlik	Süre: ön havalandırma	Ön-ateşleme	Son-ateşleme	Açılışlar arasındaki süre alev valfi ve 2. alev valfi	Süre: açılma yolu kapak	Süre: Kapanma yolu kapak
	s	s	s	s	s	s	s
LME 22.331A2	3	30	2	2	11	12	12
LME 22.233A2	3	30	2	2	11	30	30

METAN GAZI ATEŞLEME VE AYARI

- 1) Kazanda su bulunduğundan ve tesisatın sallanır kapağının açık olduğundan emin olun.
- 2) Yanma ürünlerinin serbestçe tahliye edilebildiğinden tamamen emin olun (kazan ve yanma bölmesi kapakları açık.
- 3) Elektrik hatlarındaki voltajın brülör için yeterli olduğundan emin olun. Elektrik bağlantıları (motor ve ana hat) mevcut voltaj için uygun olmalıdır. Yerinde yapılan tüm elektrik bağlantılarının elektrik şemamızda belirtilen şekilde doğru olduğundan emin olun. TBG 45P-60P brülörü için, elektrik tablosundan (0002935620) 4 numaralı girişin bağlantısını keserek ikinci alevin çalışmasını engelleyin; TBG 45 60 modeli için, Y2 bobinini besleyen baskılı devrenin 5 numaralı girişindeki teli çıkarın.
- 4) Ateşleme alevinin havasını ayarlayın:
 - elektrikli servomotorla yönetilen TBG 45P - 60P brülörü için, 0002934711 kartında verilen talimatları uygulayın;
 - manüel olarak yönetilen TBG 45 - 60 brülörlerinde, ikinci alevin havasını ayarlamak için "Tek aşamalı TBG 45-60 brülörünün hava ayar şeması" paragrafında belirtilen talimatları uygulayın.
- 5) Gaz valfinin ayar düzeneğini ayarlayın.

Birinci alevin giriş regülatörünü gereken miktarda açın (brülörün üzerindeki iki aşamalı model gaz valflarıyla ilgili talimatlara bakın). Varsa, acil durum valfinin besleme regülatörünü sonuna kadar açmak gerekir.
- 6) Üç fazla beslenen modellerde, brülör tablosunun açma/kapama anahtarı (22) (bkz., 0002935620) "O" konumunda ve ana anahtar devredeyken, uzak anahtarın kapalı olduğundan ve motorun doğru yönde döndüğünden emin olun. Gerekirse, dönüş yönünü değiştirmek için motoru besleyen iki kablunun yerlerini değiştirin.
- 7) Şimdi brülör tablosunun anahtarını (22) açın; kumanda ünitesine akım gelecek ve programlayıcı "İşleyiş" bölümünde açıklanan şekilde brülörün devreye girip girmeyeceğine karar verecektir. Ön havalandırma aşaması sırasında, hava basıncını kontrol eden presostatların durumunun değiştiğinden emin olun (basıncsız kapalı konumdan hava basınçlı kapalı konuma geçmelidir). Hava presostatında yeterli hava yoksa ateşleme transformatörünü ve hatta gaz valfları devreye girmez çünkü "cihaz" kilitleme" konumuna geçer. İlk ateşlemede kilitlemenin nedeni aşağıdakiler olabilir:
 - a) Gaz borularındaki hava doğru havalandırılmıyor ve dolayısıyla gaz miktarı istikrarlı bir alev için yetersiz olabilir.
 - b) Alev varken kilitleme, iyonizasyon bölgesinde, hava/gaz oranının doğru olmaması nedeniyle aynı istikrarsızlıktan kaynaklanabilir. Doğru oranı bulmak için hava/gaz miktarını ayarlamak gerekir. Aynı sorun yanma kafasına giden gaz/hava miktarının doğru olmamasından da kaynaklanabilir; kafa ve gaz dağıtıcı arasındaki geçidi açmak veya kapatmak için yanma kafasının regülatörünü ayarlayın.
 - c) İyonizasyon akımı ateşleme transformatörünün akımından farklı olabilir (bu iki akım brülörün toprağında buluşur) ve bu nedenle brülör iyonizasyon yetersizliği nedeniyle kilitlenebilir. Bu durumu çözmek için ateşleme transformatörünün besleme girişlerinin (230 V tarafı) yeri değiştirilebilir (transformatörü besleyen kabloların yeri değiştirilir). Bu duruma brülör şasisinin yetersiz topraklanmasının da neden olabileceğini söylemek gereksizdir.
- 8) Brülör en düşük konumunda yanarken, gözle alevin durumunu kontrol ederek hava ve gaz dağıtım regülatörlerinde gerekli ayarlamaları yapın (4 ve 5. maddelere bakın). Ardından sayacı okuyarak giren hava miktarını kontrol edin. Gerekirse, hava girişini ve görelî yanma havasını yukarıda açıklanan şekilde kontrol edin (madde 4 ve 5). Ardından uygun aletlerle yanmayı kontrol edin. Doğru bir hava/gaz oranı için, metan için karbondioksit (CO₂) brülöre minimum gaz girişinde değeri en az % 8 O₂ = % 6 ya da maksimum gaz girişinde optimum değer olan CO₂ % 10 veya O₂ = % 3 olmalıdır. Karbon monoksit yüzdesinin montaj sırasında yürürlükte olan standarda uygun olduğunun uygun bir aletle kontrol edilmesi zorunludur.
- 9) Birinci alev gelen gazın doğru dağıtıldığını tekrar tekrar kontrol edin. Birinci alevin çalışmasını ayarladıktan sonra, brülörü kapatmak için ana şalteri açın ve ikinci alevin devreye girmesine kumanda eden elektrik devresini kapatın, TBG 45P-60P brülörleri için, daha önce çıkarılmış konektörü 4 girişe yeniden takın, TBG 45-60 brülörleri için ise, teli Y2 bobinini besleyen baskılı devrenin klipsine takın.
- 10) İkinci alevi besleyen gazı manüel regülatörü kullanarak gerekli miktarda açın (ana alev).
- 11) Şimdi ana şalteri ve kumanda tablosundaki anahtarı kapatarak brülörü yeniden devreye sokun. Brülör otomatik olarak açılır ve ikinci alevi (ana alev) devreye sokar. Alevin bütünlüğünü ve görünümünü gözle kontrol edin ve gerekirse, gaz ve hava girişini 4 ve 5. maddelerde açıklanan şekilde değiştirin.
- 12) Gerekirse, ikinci alevin şiddetini regülatörü kullanarak değiştirin. Kazanın maksimum kapasitesine ulaşıldığı takdirde, kazanın zarar görmemesi için brülörü daha fazla çalıştırmaktan kaçının. Bu nedenle, sayaç iki kere okunduktan sonra brülörü hızla kapatmak uygun olacaktır.
- 13) Ardından, brülör kazana maksimum gaz verirken, uygun aletlerle yanmayı kontrol edin ve gözle kontrolde daha önceden ayarlanmış (hava ve muhtemelen gaz) maksimum giriş miktarı (CO₂ = 10 % - O₂ min = % 3 - CO maks. = % 1 ise gerekli değişiklikleri yapın..
- 14) Hava presostatının amacı hava basıncı öngörüldüğü gibi olmadığında gaz valfinin açılmasını önlemektir. Bu nedenle, gaz presostatı brülördeki hava basıncı yeterli değere ulaşmadığında girişi kapatacak şekilde ayarlanmalıdır. Hava presostatının kalibrasyon değerinden daha yüksek basınç algılamaması halinde, cihaz kendi döngüsünü yürütür fakat ateşleme transformatörü devreye girmez ve gaz valfları açılmaz ve bunun sonucunda brülör "kilitletir". Presostatın doğru çalışmasını sağlamak için, **brülör ilk alevde yanarken**, ayar değerini brülörün hemen "kilitletmesi" gereken değere yükseltin. Brülörü yeniden devreye sokmak için, ilgili düğmeye (21) basın

ve presostat ayarını ön havalandırma aşamasındaki basınca ulaşmak için yeterli değere geri getirin.

15) Gaz basıncı kontrol presostatının (minimum) amacı gaz basıncı öngörülen seviyeye ulaşmadığı takdirde brülörün çalışmasını engellemektir. Minimum basınç presostatı çalışma ilkesi gereği ayarlanan değerden daha yüksek bir basınç algıladığında kapalı olan kontağı kullanmalıdır. Bu nedenle, minimum basınç presostatı brülör çalışırken karşılaşılan basınç yüksekliğine göre zaman zaman yeniden ayarlanmalıdır. Brülör yanarken (alev yanarken) presostatın devreye girmesi (devrenin açılması gibi) brülörün kapanmasına neden olur. Brülör ilk ateşlendiğinde, presostatın doğru çalışıp çalışmadığı mutlaka kontrol edilmelidir.

16) Alev sensörünün devreye girdiğinden emin olun (iyonizasyon elektrotu).

Baskılı devresinin 30 ve 31 numaralı girişleri arasındaki köprüyü çıkarın ve brülörü devreye sokun. Cihaz döngüsünü tamamlamalı ve ateşleme alevi yandıktan 3 saniye sonra "kilitlenerek" durmalıdır. Bu kontrolü brülör yanarken de yapmak gerekir. 30 ile 31 arasındaki köprü çıkarıldığında cihaz hemen "kilitlenir"

17) Kazanın termostatlarının veya presostatlarının doğru çalıştığından emin olun (devreye girdiklerinde brülörü kapatmaları gerekir).

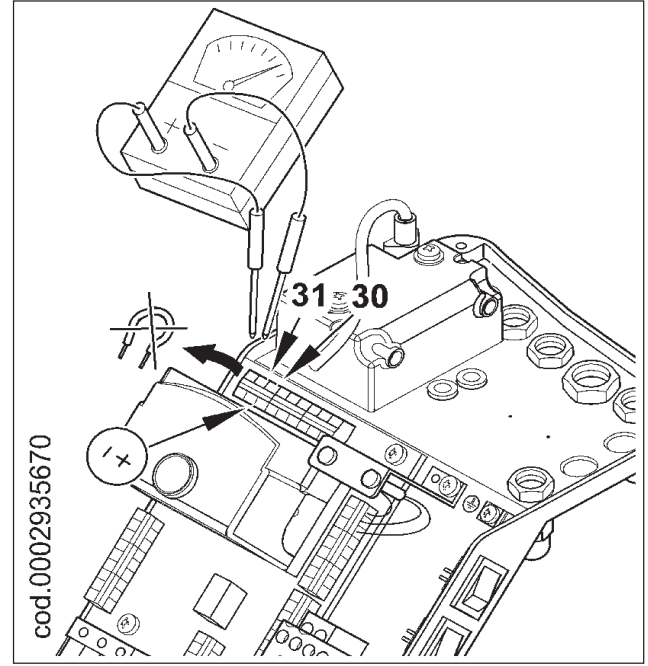
ÖNEMLİ: Ateşlemenin düzenli bir şekilde gerçekleştiğinden emin olun.

Bir karıştırıcı ayarının yüksek olması durumunda, hava çıkış hızı ateşlemeyi güçleştirecek kadar hızlı olabilir. Bu durumda, karıştırıcı ayarını ateşlemenin düzenli olmasını sağlayacak şekilde düşürün ve bu konumu kesinleştirin.

Küçük alev söz konusu olduğunda hava miktarını daha zor şartlarda da güvenli bir ateşleme sağlayabilmek için sınırlayın.

İYONİZASYON AKIMININ ÖLÇÜLMESİ

İyonizasyon akımını ölçmek için, brülör açıkken baskılı devrenin 30 ve 31. girişleri arasındaki köprüyü çıkarın (yandaki şekle bakın). Bu klipsleri ve uygun büyüklükte bit ampermetrenin uçlarını birbirine bağlayın ve brülörü yeniden çalıştırın. Alev belirdikten sonra, iyonizasyon akımı ölçülebilir. İyonizasyon akımının cihazın çalışması için gerekli minimum değeri ilgili elektrik şemasında belirtilmiştir. Ölçümü tamamladıktan sonra daha önce çıkardığınız köprüyü geri takın.



İYONİZASYON ELEKTROTU / SONDASI AYAR ŞEMASI

TBG 45, TBG 45P, TBG 45PN, TBG 45ME

TBG 60P, TBG 60PN, TBG 60ME

TBG 60

Mod.	A	B	C
TBG 45 - 45P	4	5	4
TBG 60P	4	10	-
TBG 60	4	11	4

Alt yazı:
1- İyonizasyon elektrotu
2. Ateşleme elektrotu
3- Alev disk
4. Karıştırıcı
5- Gaz giriş borusu

0002935680

YANMA KAFASI ÜZERİNDE HAVA REGÜLASYONU

Yanma kafasında, disk ve kafa arasındaki hava geçişini açan veya kapatan bir regülasyon düzeneği bulunur. Bu geçit kapatılarak disk yönünde yüksek bir basınç ve düşük bir yük elde edilir. Yüksek hava hızı ve türbülansı havanın yakıtta daha hızlı nüfuz etmesini ve dolayısıyla optimal alev karışımı ve kararlılığı sağlar. Alev patlamalarının önüne geçmek için disk yönünde yüksek basınç elde etmek zorunlu olabilir. Bu durum özellikle basınçlı bir ocak ve/veya termik yük altında çalışan brülörler için zorunludur. Bunu sağlamak için, yanma kafasının üzerindeki hava kapatma düzeneğinin, **her zaman** diskin arkasında yüksek bir hava basıncı değerine ayarlanması gerekir. Kafadaki hava akışının, brülör fanının emme akışını düzenleyen kapağın hassas bir şekilde

açılmasını sağlayacak şekilde ayarlanması önerilir; bu koşulun brülör istenen dağıtımda çalıştığında sağlanması gerektiği açıktır. Pratikte, regülasyon yanma kafasındaki hava kapatma düzeneği ortada bir konuma getirilerek başlatılmalı ve brülör yukarıda belirtilen şekilde yönlendirilmiş bir regülasyonla ateşlenmelidir. **İstenilen maksimum dağıtıma** ulaşıldığında, yanma kafasının üstündeki hava kapatma düzeneğinin konumu, gaz akışına uygun bir hava akışı elde edilecek şekilde, ileri veya geri hareket ettirilerek ayarlanır **ve hava emme kapağı görünür bir şekilde açılır.**

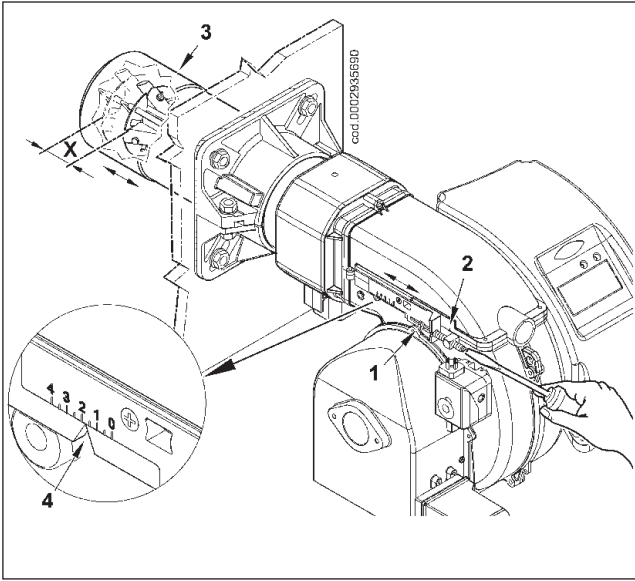
BRÜLÖR	X	Belirtilen değer (endeks 4)
TBG 45 / 45P	3 ÷ 31	0 ÷ 3,2
TBG 60 / 60P	6 ÷ 34	0 ÷ 3,2

X= Kafa-disk mesafesi; X mesafesini aşağıda belirtilenlere göre ayarlayın:

- Vida 1'i gevşetin
- Endeks 4'de belirtilen yanma kafası 3'ün konumunu ayarlamak için vida 2'yi ayarlayın.
- X mesafesinin tabloda belirtilen değerlere göre minimum ve maksimum değerlerini ayarlayın.

ÖNEMLİ: Yukarıda belirtilen ayarlar yalnızca bilgi niteliğindedir; yanma kafasının konumunu ocağın özelliklerine göre ayarlayın.

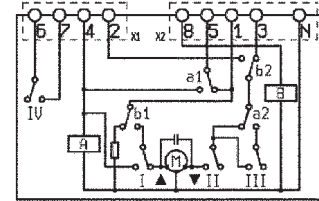
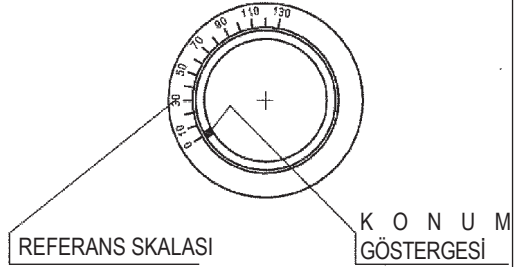
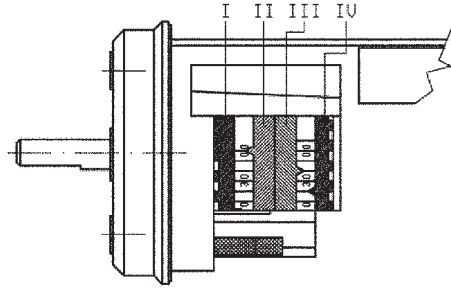
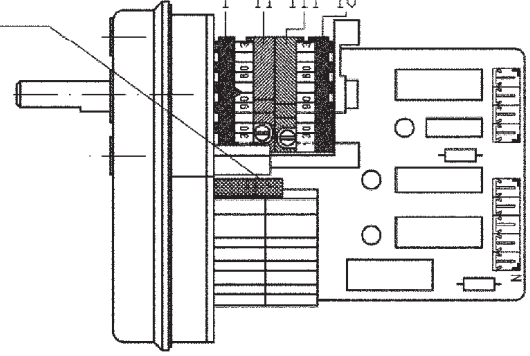
KAFA AYAR ŞEMASI



SERVOMOTOR KAMININ AYARLANMASI TBG ...P İÇİN SQN72.XA4A20

0002934711

ÇİVİ TAKMA VE MOTOR BAĞLANTISININ KESİLMESİ-AĞAÇ AYARLANABİLİR KAM KAMLAR



SQN72.2A4A20BT
SQN72.6A4A20BT

- I HAVA AYARLAMA KAMI 2. ALEV (80°)
- II HAVA TAMAMEN KESİK (BRÜLÖR KAPALI) (0°)
- III HAVA AYARLAMA KAMI 2. ALEV (20°)
- IV VALF GİRİŞ KAMI 2. ALEV (40°)

KULLANILAN KAMIN AYARINI DEĞİŞTİRMEK İÇİN, İLGİLİ REFERANS SKALASININ ÜZERİNDE BELİRTİLEN HALKALARI SIRAYLA (I-II-III-IV) HAREKET ETTİREREK HER KAMIN DÖNÜŞ AÇISI AYARINI DEĞİŞTİRİN.

BAKIM

Yanma egzoz gazlarını düzenli olarak analiz ederek emisyon değerlerinin doğruluğunu kontrol edin.

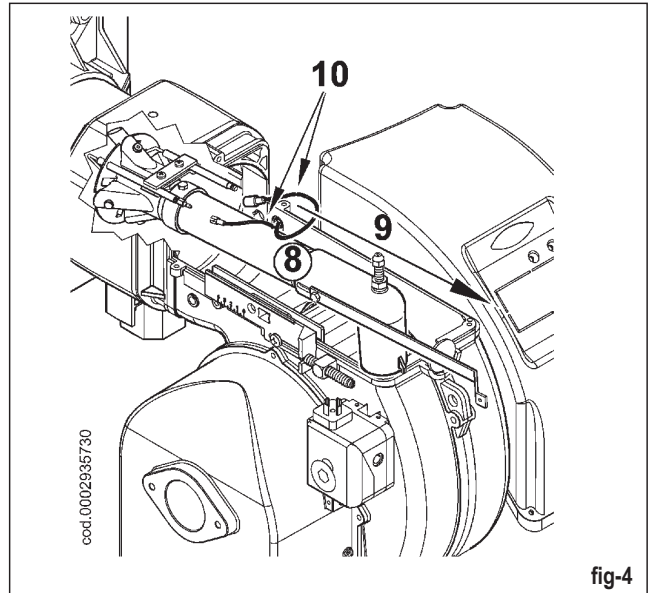
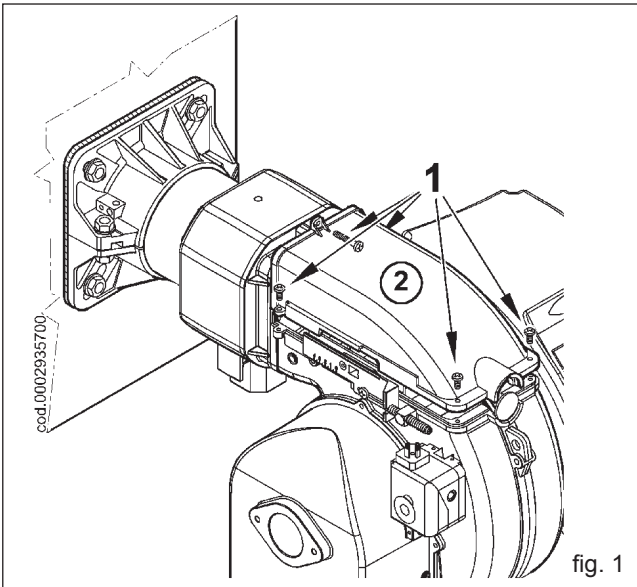
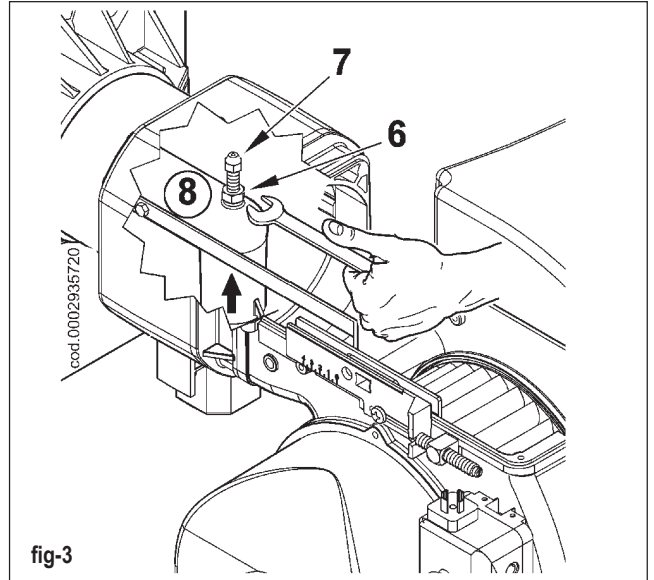
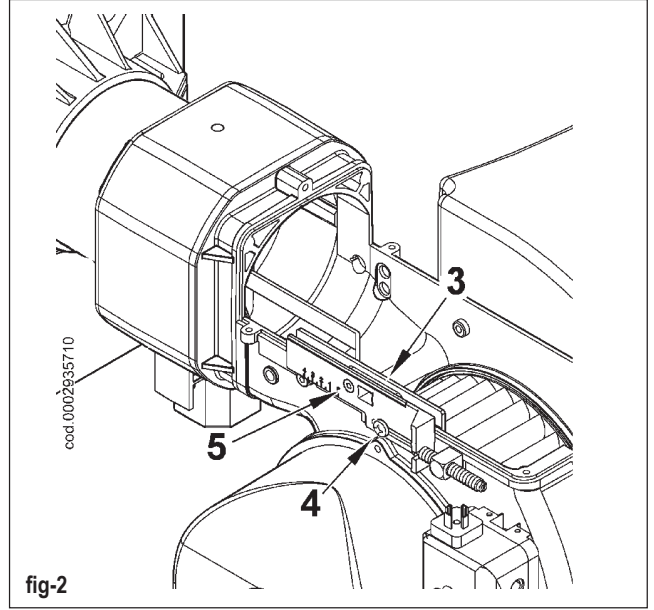
Gaz filtresini kirlendiğinde düzenli olarak değiştirin

Yanma kafasının tüm bileşenlerinin iyi durumda olduğundan, sıcak nedeniyle deforme olmadığından ve ortam atmosferinden ve kötü yanmadan kaynaklanan kir veya atık içermediğinden emin olun, elektrotların etkinliğini kontrol edin.

Yanma kafasının temizlenmesi gerekiyorsa, bileşenlerini aşağıda belirtilen prosedürle sökün:

- 1) Vida 2'yi sökün ve kapağı çıkarın (şekil 1).
- 2) 3 numaralı hareketli plakanın 4 numaralı vidayla sabitlendiğinden emin olun. Bakım işlemi bittikten sonra, karıştırma grubunu eski konumuna sabitleyin. Grubun milini hareketli plakaya sabitleyen 5 numaralı vidayı gevşetin.
- 3) Somunu (6) tamamen gevşetin ve karşısındaki vidayı (7) gaz giriş bağlantısının (8) iç kısmını karıştırma grubunun ileride sökülmesi gerektiğinde yeterince boşluk bırakacak şekilde) sıkın. Gaz giriş bağlantısını (8) yatağından hafifçe kaldırın (Şekil 3).
- 4) Ateşleme ve iyonizasyon bağlantılarını 10 çıkardıktan sonra karıştırma grubunu ok 9 yönünde tamamen çıkarın (Şekil 4)

Bakım işlemlerini tamamladıktan sonra ateşleme ve iyonizasyon elektrotlarının doğru konumda olduğundan emin olduktan sonra, yanma kafasını yukarıda belirtilen şekilde geri takın (bkz., kart 0002935680))



ATEŞLEME DÜZENEGİNİ YÜKSEK AYARA GETİRMEK İÇİN YAPILMASI GEREKENLER

Ateşleme düzeneğinin yüksek ayara getirmek istiyorsanız, brülörü kazana bağlamadan önce aşağıdaki prosedürü uygulayın.

- 1) "Bakım" bölümündeki talimatları uygulayarak karıştırma grubunu çıkarın ve grubun iletme milini (2) dirsek bağlantısı üzerindeki delikten (4) geçen gaz giriş borusuna (3) bağlayan vidayı (2) sökün (şekil 1).
- 2) Dirsek bağlantısını gaz giriş borusunun deliğini bağlantı üzerindeki delikle (4) karşı karşıya gelecek şekilde 180° çevirin. İletme milini (2) gaz giriş borusuna (3) şekil 1'deki vidayla (1) sabitleyin.
- 3) Şimdi şekil 2'deki 4 somunu (5) çıkarın, alev borusunu (6) sökün ve körüğü (7) yuvasından çıkardıktan sonra ateşleme deliklerinin gazın fazla geçmesine izin vermesini sağlayacak şekilde yeniden yerleştirin.
- 4) İşlemi tamamlamak için, alev borusunu (6) ve körüğü (7) 4 somunla (5) sabitleyin ve son olarak karıştırma grubunu yatağına geri yerleştirin.

Bu aşamada, brülör kazana "Gaz ateşleme düzeneği montajı" bölümünde gösterilen 9 numaralı konfigürasyona göre valf düzeneğiyle birlikte monte edilebilir.

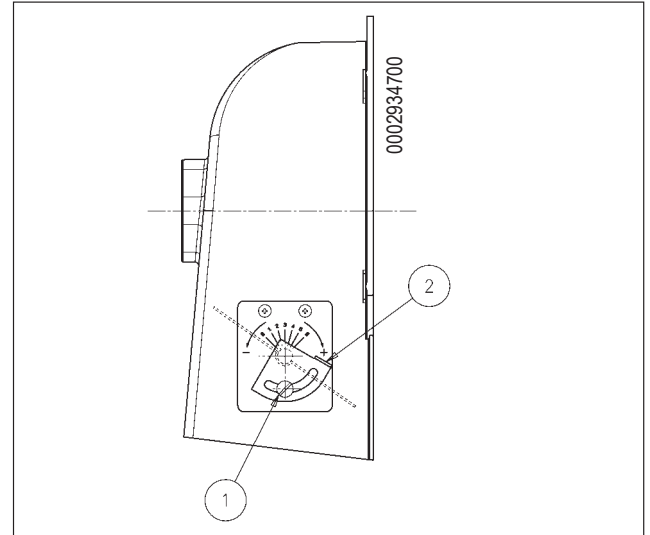
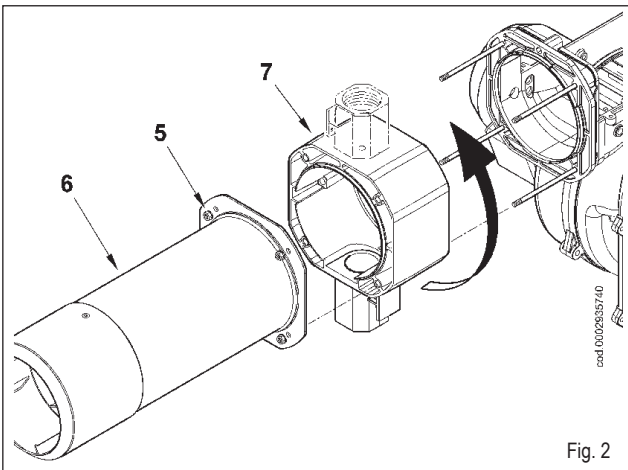
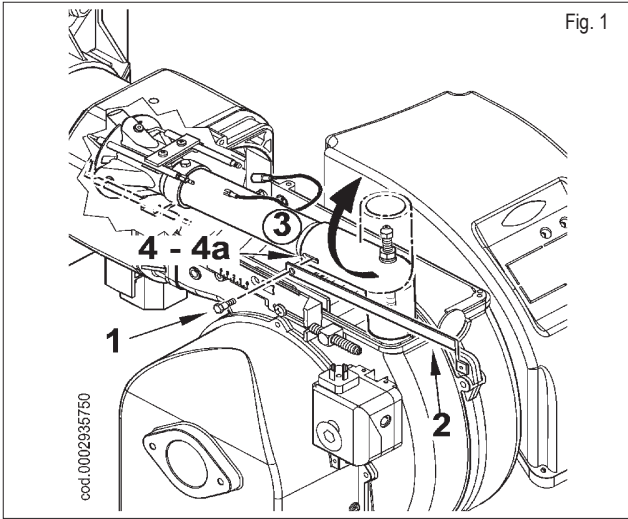
İKİ AŞMALI GAZ BRÜLÖRÜ

Normalde, iki alevli çalışmanın verimli olması için, ısıtma amaçlı su üretimi için bir kazana bağlı olarak çalışan bir brülör bağlanması önerilmez. Bu durumda, brülör uzun süre tek alevle de çalışabilir. Bunun sonucunda kazan yetersiz yüklenir ve aşırı düşük (çiylenme noktasının altında) bir sıcaklıkta duman çıkarak yanma yerinde yoğunlaşma suyu oluşur. Sıcak su üretimi ve ısıtma için kullanılan bir kazana iki alevli brülör takıldığında, ayarlanan sıcaklığa ulaşıldığında birinci aleve geçmeden kendisini kapatacak şekilde tamamen normal düzende çalışacak biçimde bağlanmalıdır. Bu işleyiş modunu sağlamak için, ikinci alevin termostatını takmayın ve cihazın ilgili klipsleri arasında doğrudan bir bağlantı (köprü) kurun.

HAVALI BRÜLÖR REGÜLASYON ŞEMASI TBG 45 - 60 TEK AŞAMALI

Hava kapağının açılma açısını ayarlamak için, (1) vidasını gevşetin ve işaretçiyi istenen konuma getirmek için plakayı (2) hareket ettirin. Ardından kapağı sabitlemek için vidayı sıkın.

Konum 0: Hava kapağı tamamen kapalı.
Konum 6: Hava kapağı tamamen açık.



**ÇALIŞMA ARIZALARININ NEDENLERİNİN DEĞERLENDİRİLMESİ İLGİLİ BİLGİLER
İKİ AŞAMALI GAZ BRÜLÖRLERİ VE DEVREDEN ÇIKARILMALARI HAKKINDA**

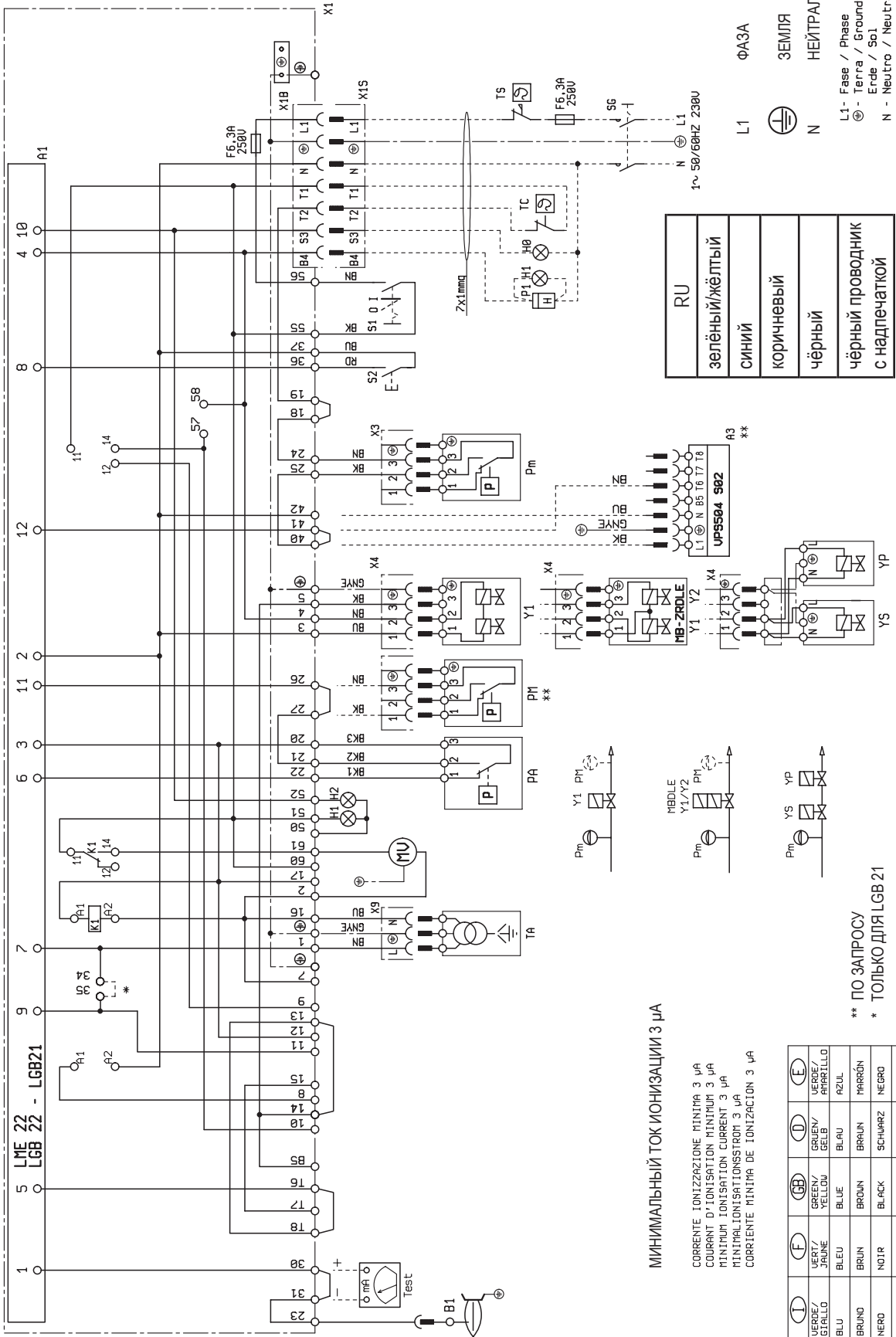
SORUN	MUHTEMEL NEDENİ	ÇÖZÜM
Cihaz alev varken (kırmızı lamba açıkken) kilitleniyor. Alev kontrol düzeneğinde sorun var.	1) Ateşleme transformatöründen gelen iyonizasyon akımında sorun var.	1) Ateşleme transformatörünün besleme akımını (230V tarafı) çevirin ve analog mikro-ampermetre ile kontrol edin.
	2) Alev sensörü (iyonizasyon sondası) etkisiz	2) Alev sensörünü çıkarın.
	3) Alev sensörü (iyonizasyon sondası) yanlış konumda.	3) İyonizasyon sondasının yerini değiştirin ve ardından analog mikro-ampermetre ile etkinliğini kontrol edin.
	4) İyonizasyon sondasının veya ilgili kablunun toprak bağlantısında sorun var.	4) Gözle ve aletle kontrol edin.
	5) Alev sensörünün elektrik bağlantısı kesik.	5) Bağlantıyı yeniden yapın.
	6) Çekiş gücü yetersiz veya duman çıkış yolu kapalı.	6) Kazan duman çıkışı/yanma odası bağlantısının tıkalı olmadığından emin olun.
	7) Alev diski veya yanma kafası aşınmış veya kirli.	7) Gözle kontrol edin ve gerekiyorsa çıkarın.
	8) Ekipman bozuk.	8) Değiştirin.
	9) İyonizasyon yok.	9) Ekipmanın topraklaması doğru değil, doğruysa iyonizasyon akımını kontrol edin. Ekipmanın klipsinin karşısında ve elektrik sisteminin "toprak" bağlantısında topraklamayı kontrol edin.
Cihaz kilitleniyor, gaz çıkıyor ama alev yok (kırmızı lamba yanıyor). Ateşleme devresinde sorun var.	Ateşleme devresi arızalı.	1) Ateşleme devresinin beslemesini (230 V tarafı) ve yüksek voltaj devresini (tespit klipsinin altındaki kırık izolatör veya toprak elektrotu) kontrol edin.
	2) Ateşleme transformatörünün toprak bağlantısında sorun var.	2) Değiştirin.
	3) Ateşleme transformatörünün kablo bağlantısı kesik.	3) Bağlantıyı yapın.
	4) Ateşleme transformatörü bozuk	4) Değiştirin.
	5) Toprak ve elektrotlar arasındaki mesafe doğru değil.	5) Mesafeyi doğru ayarlayın.
	6) İzolatör kirlenmiş ve bu nedenle elektrot toprak hattına deşarj oluyor.	6) İzolatörü ve elektrotu temizleyin veya değiştirin.
Cihaz kilitleniyor, gaz çıkıyor ama alev yok. (kırmızı lamba yanık)	1) Hava/gaz oranı doğru değil.	1) Hava/gaz oranını düzeltin (muhtemelen çok hava ve az gaz var)
	2) Gaz boruları yeterince hava almıyor (ilk ateşleme durumu).	2) Gerekli dikkati göstererek gaz borularının daha iyi havalanmasını sağlayın.
	3) Gaz basıncı düşük veya yüksek.	3) Ateşleme anında gaz basıncını ölçün (mümkünse su manometresi kullanın).
	Disk ve kafa arasındaki hava geçişi çok kapalı.	4) Disk/kafa açıklığını ayarlayın.

N° 0002400700N1
foglio N.1 di 2
data 25/02/08
Dis. smelioni
Visto Visio



SCHEMA ELETRICO TBG 45
SCHEMA ELECTRIQUE TBG 45
ELECTRIC DIAGRAM FOR TBG 45
SCHALTPLAN TBG 45
ESQUEMA ELECTRICO TBG 45

ЭЛЕКТРИЧЕСКАЯ СХЕМА



МИНИМАЛЬНЫЙ ТОК ИОНИЗАЦИИ 3 µA

CORRENTE IONIZZAZIONE MINIMA 3 µA
COURANT D'IONISATION MINIMUM 3 µA
MINIMUM IONISATION CURRENT 3 µA
MINIMALIONISATIONSSTROM 3 µA
CORRIENTE MINIMA DE IONIZACION 3 µA

①	VERDE/ GREEN/ VERT/ BLU	GIALLO/ YELLOW/ JAUNE	BLAU	BRAUN	NOIR	CONDUCTOR BLACK CON NOTR AVEC WIRE WITH IMPRESSION	②	VERDE/ GREEN/ VERT/ BLU	VERDE/ YELLOW/ JAUNE	BLAU	BRAUN	NOIR	CONDUCTOR BLACK CON NOTR AVEC WIRE WITH IMPRESSION
③	VERDE/ GREEN/ VERT/ BLU	GIALLO/ YELLOW/ JAUNE	BLAU	BRAUN	NOIR	CONDUCTOR BLACK CON NOTR AVEC WIRE WITH IMPRESSION	④	VERDE/ GREEN/ VERT/ BLU	VERDE/ YELLOW/ JAUNE	BLAU	BRAUN	NOIR	CONDUCTOR BLACK CON NOTR AVEC WIRE WITH IMPRESSION
⑤	VERDE/ GREEN/ VERT/ BLU	GIALLO/ YELLOW/ JAUNE	BLAU	BRAUN	NOIR	CONDUCTOR BLACK CON NOTR AVEC WIRE WITH IMPRESSION	⑥	VERDE/ GREEN/ VERT/ BLU	VERDE/ YELLOW/ JAUNE	BLAU	BRAUN	NOIR	CONDUCTOR BLACK CON NOTR AVEC WIRE WITH IMPRESSION

** ПО ЗАПРОСУ
* ТОЛЬКО ДЛЯ LGB 21

** A RICHIESTA / ON REQUEST / SUR DEMANDE / AUF WUNSCH / BAJO PEDIDO
* SOLO PER LGB21 / ONLY FOR LGB21 / SEULEMENT POUR LGB21 / NUR FÜR LGB21 / SOLAMENTE PARA LGB21

RU	зелёный/жёлтый
СИНИЙ	коричневый
чёрный	чёрный проводник с надпечаткой

L1 ФАЗА
N ЗЕМЛЯ
N НЕЙТРАЛЬ

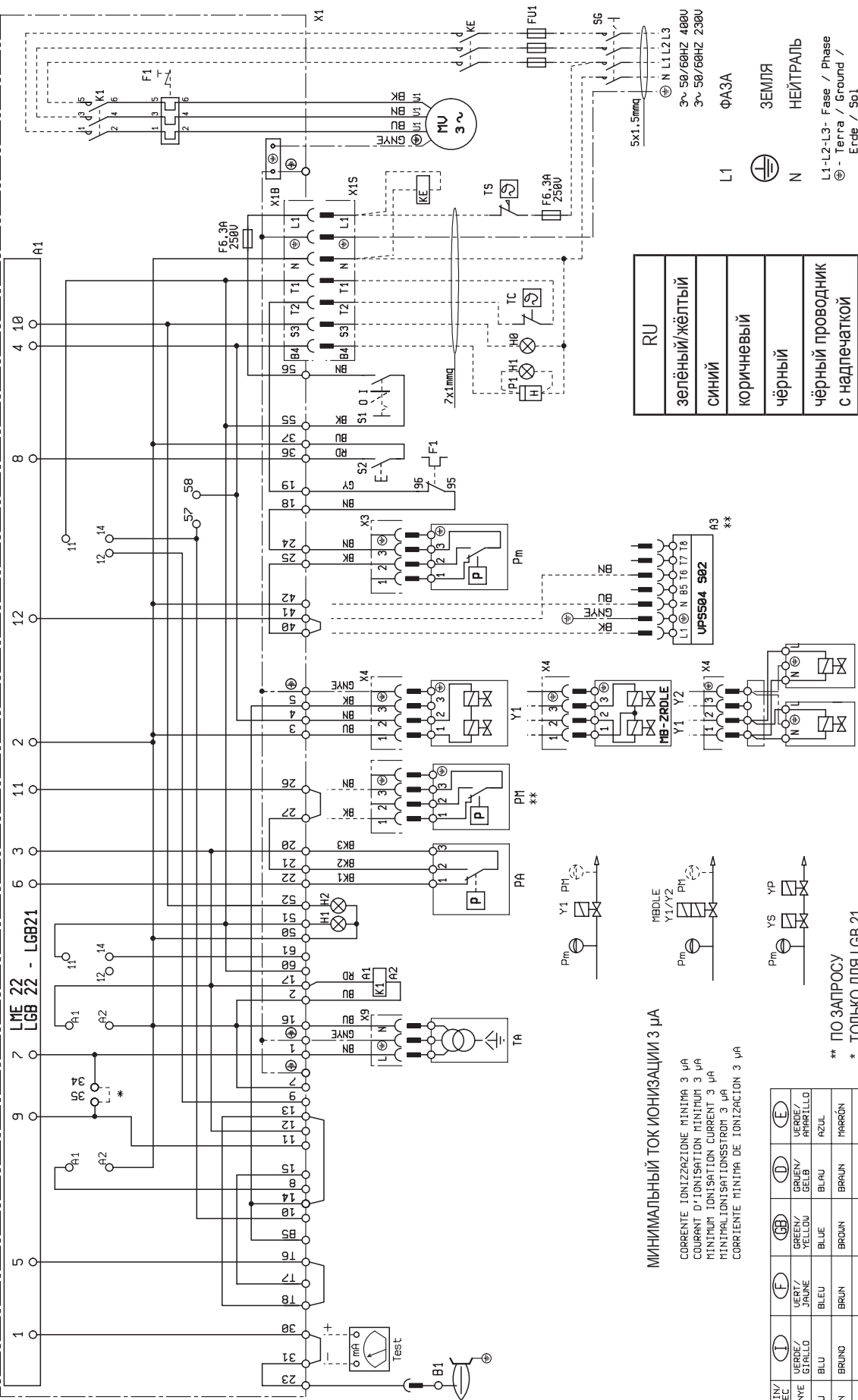
L1- Fase / Phase
⊕ - Terra / Ground / Erde / Sol
N - Neutro / Neutral / Nulleiter / Neutre

N° 0002400710N1
foglio N.1 di 2
data 26/02/08
Dis. smellioni
Visto Visto



SCHEMA ELETRICO TBG 60
SCHEMA ELECTRIQUE TBG 60
ELECTRIC DIAGRAM FOR TBG 60
SCHALTPLAN TBG 60
ESQUEMA ELECTRICO TBG 60

ЭЛЕКТРИЧЕСКАЯ СХЕМА



RU
зелёный/жёлтый
синий
коричневый
чёрный
чёрный проводник с надпечаткой

L1
 ЗЕМЛЯ
 N НЕЙТРАЛЬ
 L1-L2-L3 - Fase / Phase
 - Terra / Ground / Erde / Sol
 N - Neutro / Neutral / Nulleiter / Neutre

МИНИМАЛЬНЫЙ ТОК ИОНИЗАЦИИ 3 µA

CORRENTE IONIZZAZIONE MINIMA 3 µA
 COURANT D'IONISATION MINIMUM 3 µA
 MINIMUM IONISATION CURRENT 3 µA
 MINIMAL IONISATIONSTROM 3 µA
 CORRIENTE MINIMA DE IONIZACION 3 µA

DIN/IEC					
GNVE/GIALLO	VERDE/VERD	GRUEN/GELB	GRUEN/GELB	VERDE/VERDE	VERDE/VERDE
GNVE	VERDE/VERD	GRUEN/GELB	GRUEN/GELB	VERDE/VERDE	VERDE/VERDE
BLU	BLEU	BLAU	BLAU	AZUL	AZUL
BRUNO	BRUN	BROUN	BROUN	BROUN	BROUN
NERO	NOIR	BLACK	BLACK	SCHWARZ	NEGRO
BK * CONDUITORE NERO CON SOUASTAMPA IMPRESSIONE	CONDUCTEUR NOIR AVEC SOUASTAMPA IMPRESSIONE	CONDUCTEUR NOIR AVEC SOUASTAMPA IMPRESSIONE	CONDUCTEUR NOIR AVEC SOUASTAMPA IMPRESSIONE	SCHWARZ ROHR MIT ROHR MIT AUFDRUCK	NEGRO CON NEGRO CON IMPRESSIONE

** ПО ЗАПРОСУ
* ТОЛЬКО ДЛЯ LGB 21

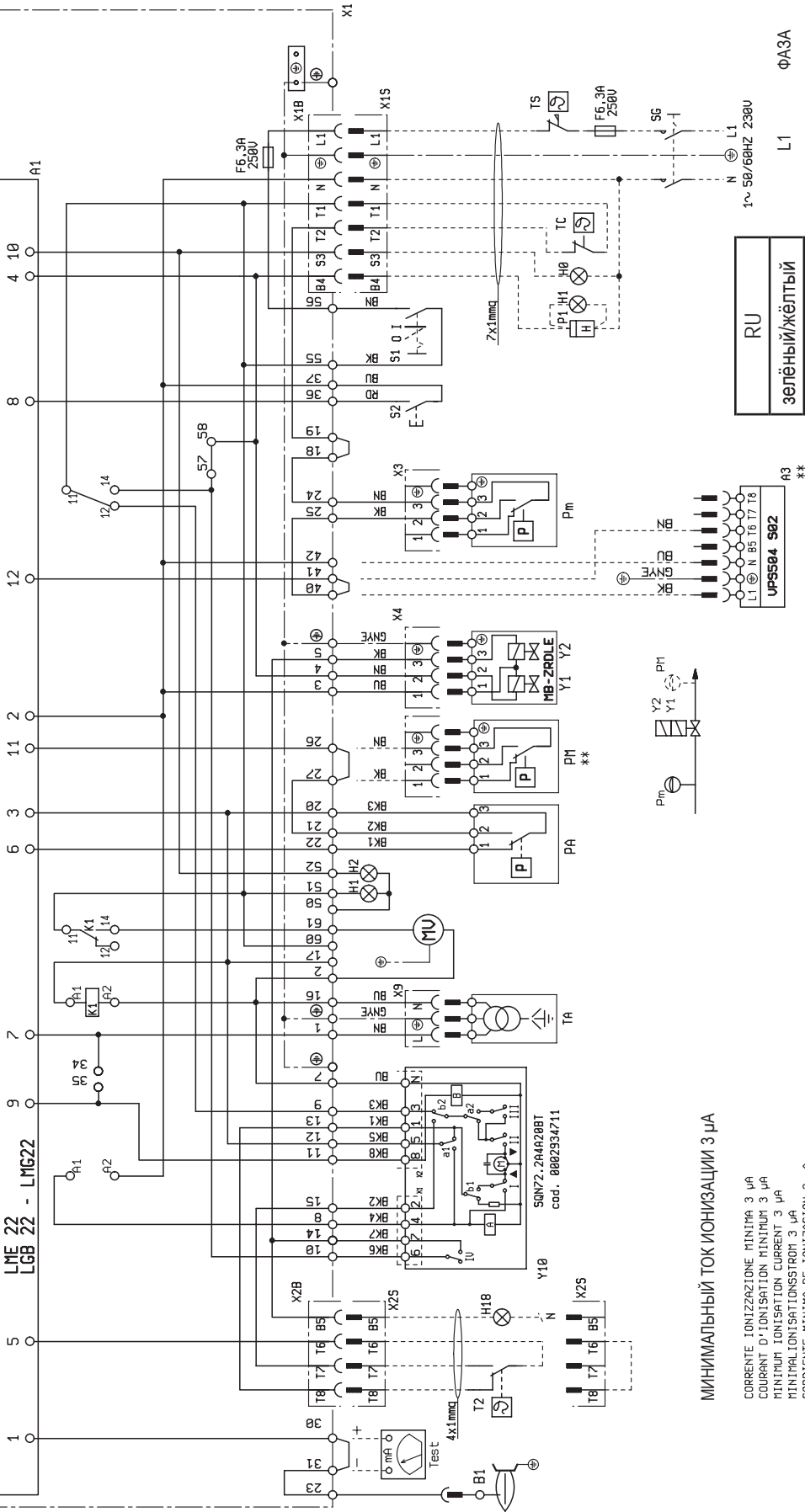
** A RICHIESTA / ON REQUEST / SUR DEMANDE / AUF WUNSCH / BAJO PEDIDO
* SOLO PER LGB21 / ONLY FOR LGB21 / SEULEMENT POUR LGB21 / NUR FÜR LGB21 / SOLAMENTE PARA LGB21

N° 000241160N1
foglio N.1 di 2
data 18/04/08
Dis. smellioni
Visto Visto



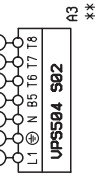
SCHEMA ELETTTRICO TBG 45P
SCHEMA ELECTRIQUE TBG 45P
ELECTRIC DIAGRAM FOR TBG 45P
SCHALTPLAN TBG 45P
ESQUEMA ELECTRICO TBG 45P

ЭЛЕКТРИЧЕСКАЯ СХЕМА



1~ 50/60Hz 230V
L1 ФАЗА
N ЗЕМЛЯ
N НЕЙТРАЛЬ

RU
зелёный/жёлтый
синий
коричневый
чёрный
чёрный проводник с надпечаткой



МИНИМАЛЬНЫЙ ТОК ИОНИЗАЦИИ 3 µA

CORRENTE IONIZZAZIONE MINIMA 3 µA
COURANT D'IONISATION MINIMUM 3 µA
MINIMUM IONISATION CURRENT 3 µA
MINIMALIONISATIONSSTROM 3 µA
CORRIENTE MINIMA DE IONIZACION 3 µA

DIR/TEC	(I)	(F)	(GB)	(D)	(E)
GNVE	VERDE/ GIALLO	VERT/ JAUNE	GREEN/ YELLOW	GRUEN/ GELB	VERDE/ GIALLO
BU	BLU	BLEU	BLUE	BLAU	AZUL
BRN	BRUNO	BRUN	BROWN	BRAUN	MARRÓN
BK	NERO	NOIR	BLACK	SCHWARZ	NEGRO
BK *	CONDUITORE NERO CON SOUASTAMPA	CONDUCTEUR NOIR AVEC IMPRESSION	BLACK WIRE WITH IMPRINT	SCHWARZ LEITUNG MIT AUFDRUCK	CONDUCTOR NEGRO CON IMPRESION

** PO ЗАПРОСУ

** A RICHIESTA / ON REQUEST / SUR DEMANDE / AUF WUNSCH / BAJO PEDIDO

SIGLA	GB	ES	FR	RU	TR
X1	BURNER TERMINAL	REGLETA DE BORNES DEL QUEMADOR	BORNES DE RACCORD	ЗАЖИМНАЯ КОРОБКА ГОРЕЛКИ	BRÜLÖR TERMINAL KLAMENSI
X1B/S	POWER SUPPLY CONNECTOR	CONECTOR DE ALIMENTACION	CONNECTEUR ALIMENTATION	РАЗЪЁМ ПИТАНИЯ	BESLEME KONEKTÖRÜ
X2B/S	2ND STAGE CONNECTOR	2DA ETAPA DEL CONECTADOR	2ME TAPÉ CONNECTEUR	РАЗЪЁМ 2-ОЙ СТУПЕНИ	2. KADEME KONEKTÖRÜ
X3	Pm CONNECTOR	CONECTOR Pm	CONNECTEUR Pm	РАЗЪЁМ Pm CONNECTEUR	Pm KONEKTÖRÜ
X4	YP CONNECTOR	CONECTOR YP	CONNECTEUR YP	РАЗЪЁМ YP CONNECTEUR	YP KONEKTÖRÜ
X9	TRASFORMER CONNECTOR	CONECTOR TRASFORMADOR	CONNECTEUR TRASFORMATEUR	РАЗЪЁМ ТРАНСФОРМАТОРА	TRANSFORMATOR KONEKTÖRÜ
S1	ON-OFF SWITCH	INTERRUPTOR ENCENDIDO-APAGADO	INTERRUPTEUR MARCHÉ-ARRÊT	ВЫКЛЮЧАТЕЛЬ ХОДА - ОСТАНОВА	AÇMA KARAMA-ANAHTARI
S2	RE-SET PUSH BUTTON	PULSADOR DE DESBLOQUEO	BOUTON DE DEBLOCAGE	КНОПКА РАЗБЛОКИРОВАНИЯ	RESET BUTONU
SG	GENERAL SWITCH	INTERRUPTOR GENERAL	INTERRUPTEUR GENERAL	ГЛАВНЫЙ ВЫКЛЮЧАТЕЛЬ	GENEL ANAHTAR
H0	AUXILIARY RESISTANCES LAMP	LUZ INDICADORA FUNCIONAMIENTO RESISTENCIAS AUXILIAR	LAMPE RESISTANCE AUXILIAIRE	ВНЕШНЯЯ КОНТРОЛЬНАЯ ЛАМПОЧКА БЛОКИРОВКИ	YEDEK REZİSTANS İŞLETME LAMBASI
H1	OPERATION LIGHT	LUZ INDICADORA DE FUNCIONAMIENTO	LAMPE MARCHÉ	КОНТРОЛЬНАЯ ЛАМПОЧКА РАБОТЫ	İŞLETME LAMBASI
H2	LOCK-OUT SIGNAL LAMP	LUZ INDICADORA DE DESBLOQUEO	LAMPE DE BLOCAGE	ИНДИКАТОРНАЯ ЛАМПОЧКА БЛОКИРОВАНИЯ	ARIZA LAMBASI
H18	2ND STAGE LAMP	2DA ETAPA LUZ	2ME ETAGE LAMPE	КОНТР. ЛАМПОЧКА ФУНКЦИОНИРОВАНИЯ 2-ой СТУПЕНИ	2. KADEME İŞLETME LAMBASI
F1	THERMAL RELAY	RELEE TERMICO IMPULSOR	RELAIS THERMIQUE	ТЕПЛОВОЕ РЕЛЕ	SIGORTA
FU1	FUSES	FUSIBLE	FUSIBLE	ПЛАВКИЕ ПРЕДОХРАНИТЕЛИ	SIGORTALAR
K1	MOTOR RELAY	MOTOR RELAIS	RELAIS MOTEUR	МОТОР РОЛЕСИ	MOTOR RÖLESİ
KE	EXTERNAL CONTACTOR	CONTACTOR EXTERIOR	CONTACTEUR EXTERIEUR	НАРУЖНЫЙ КОНТАКТОР	HARİCİ KONTAKTÖR
B1	PHOTORESISTANCE / IONISATIONELECTRODE	FOTORESISTENCIA / ELETTRODO IONIZACION	PHOTORESISTANCE / ELECTRODE D'IONISATION	ЭЛЕКТРОДИОНИЗАЦИИ	UV FOTOSEL
PA	AIR PRESSURE SWITCH	PRESOSTATO AIRE	PRESSOSTAT AIR	ВОЗДУШНЫЙ ПРЕССОСТАТ	HAVA PRESOSTATI
MV	MOTOR	MOTOR IMPULSOR	MOTEUR	ДВИГАТЕЛЬ	MOTOR
TA	GAS IGNITION TRASFORMER	TRANSFORMADOR DE GAS	TRASFORMATEUR D'ALLUMAGE GAZ	ТРАНСФОРМАТОР РОЗЖИГА ГАЗА	ATEŞLEME TRAFOSU
TS	SAFETY THERMOSTAT	TERMOSTATO DE SEGURIDAD	THERMOSTAT DE SURETE	ЗАЩИТНЫЙ ТЕРМОСТАТ	EMNİYET TERMOSTATI
TC	BOILER THERMOSTAT	TERMOSTATO CALDERA	THERMOSTAT CHAUDIERE	ТЕРМОСТАТ КОТЛА	KAZAN TERMOSTATI
YP	MAIN ELECTROVALVE	ELECTROVALVULA PRINCIPAL	ELECTROVANNE PRINCIPAL GAZ	ГЛАВНЫЙ ЭЛЕКТРОКЛАПАН	ANA ELEKTRO-VALF
YS	SAFETY VALVE	ELECTROVALVULA DE SEGURIDAD	ELECTROVANNE DE SURETE	ЭЛЕКТРОКЛАПАН БЕЗОПАСНОСТИ	EMNİYET ELEKTRO-VALFI
Pm	GAS MIN. PRESSURE SWITCH	PRESOSTATO DE MIN	PRESSOSTAT MIN.	ПРЕССОСТАТ МИНИМАЛЬНОГО ДАВЛЕНИЯ	MINİMUM GAZ PRESOSTATI
P M	GAS MAX. PRESSURE SWITCH	PRESOSTATO DE MAX	PRESSOSTAT MAX.	ПРЕССОСТАТ МАКСИМАЛЬНОГО ДАВЛЕНИЯ	MAX. GAZ PRESOSTATI
A1	CONTROL BOX	DISPOSITIVO	APPAREILLAGE	БЛОК УПРАВЛЕНИЯ	KONTROL KUTUSU
Y1/Y2	ELECTROVALVE	ELECTROVALVULA	ELECTROVANNE	ЭЛЕКТРОКЛАПАН	ELEKTRO-VALF
Y10	AIR SERVOMOTOR	SERVOMOTOR AIRE	SERVOMOTEUR DE L'AIR	ВОЗДУШНЫЙ СЕРВОПРИВОД	HAVA SERVOMOTORU
A3	VALVES TIGHTNESS CONTROL	CONTROL ESTANQUIEDAD VALVULAS	CONTROLE D'ÉTAINCHEITE DES VANNES	БЛОК КОНТРОЛЯ ГЕРМЕТИЧНОСТИ КЛАПАНОВ	TUTMA KONTROL VALFLERİ
P1	HOUR METER	CONTADOR DE HORAS	COMPTEUR HORAIRE	СЧЕТЧИК ЧАСОВ	SAYAÇ

Technical data in this brochure are given as information only. Baltur reserves the right to change specification, without notice.

El presente cat logo tiene car cter puramente indicativo. La Casa, por lo tanto, se reserva cualquier posibilidad de modificaci n de datos t cnicos y otras anotaciones.

Ce manuel rev t caract re purement indicatif. La maison se reserve la possibilit  de modifier des donn es techniques et de tous autres informations dans celui a indiqu es.

Настоящий каталог индикативен. Завод-изготовитель оставляет за собой право как по модификации технических данных, так и всего, указанного в каталоге.

Bu bro  rde bildirilen teknik veriler sadece bilgi amaıdır. Baltur,  nceden uyarı yapmaksızın  r n n teknik  zelliklerinde de   i iklik yapma hakkını saklı tutar.

baltur

TECNOLOGIE PER IL CLIMA

BALTUR S.p.A.
Via Ferrarese 10 - 44042 CENTO (Ferrara) ITALIA